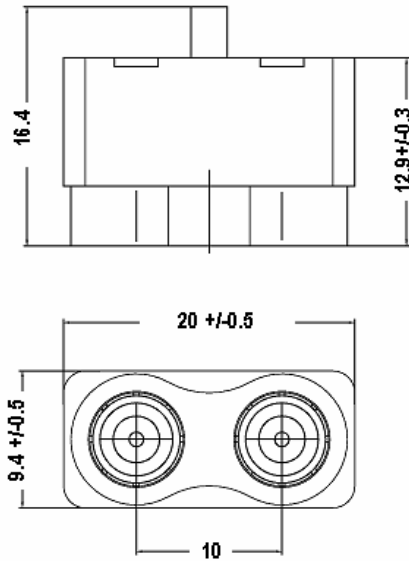


"U" LINK FEMALE-FEMALE PITCH 10.0

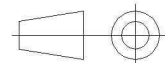
R214.797.703

PACK 50

Series : **HDC 43**



All dimensions are in mm.



COMPONENTS	MATERIALS	PLATING (µm)
BODY	ZAMAK	NICKEL
CENTER CONTACT	BRONZE	GOLD OVER NICKEL
OUTER CONTACT	BRASS	GOLD OVER NICKEL
INSULATOR	PTFE	
GASKET	-	
OTHERS PARTS	-	
-	-	
-	-	

Issue : 1041 G

In the effort to improve our products, we reserve the right to make changes judged to be necessary.



"U" LINK FEMALE-FEMALE PITCH 10.0

R214.797.703

PACK 50

Series : **HDC 43**

PACKAGING

SPECIFICATION

Standard	Unit	Other
50	'W' option	Contact us

ELECTRICAL CHARACTERISTICS

ENVIRONMENTAL

Impedance **75** Ω
 Frequency **0-3** GHz
 VSWR **NA + 0,0000** x F(GHz) Maxi
 Insertion loss **NA** $\sqrt{F(GHz)}$ dB Maxi
 RF leakage - (**NA** - F(GHz)) dB Maxi
 Voltage rating **500** Veff Maxi
 Dielectric withstanding voltage **1500** Veff mini
 Insulation resistance **5000** M Ω mini

Operating temperature **-40/+100** ° C
 Hermetic seal **NA** Atm.cm3/s
 Panel leakage **NA**

OTHER CHARACTERISTICS

Assembly instruction **NA**

Others :
 TRL REF. Q96122Z

MECHANICAL CHARACTERISTICS

Center contact retention
 Axial force – Mating end **22** N mini
 Axial force – Opposite end **NA** N mini
 Torque **NA** N.cm mini

 Recommended torque
 Mating **NA** N.cm
 Panel nut **NA** N.cm

 Mating life **0** Cycles mini
 Weight **10,0000** g

Issue : 1041 G

In the effort to improve our products, we reserve the right to make changes judged to be necessary.

