



# Datasheet

## 10 Inch Round Subwoofer Speaker 80W

**Part No:**  
SPKR.10.4.A

**Description:**

Subwoofer 10" Round Speaker 4 Ohm 80W RMS

**Features:**

4 Ohm Impedance

Rated Power 80W

High Sensitivity

Distortion Free

Dimensions:  $\varnothing$ 244x116mm

Connector: Packard Electric 12052832

RoHS & Reach Compliant

1. Introduction	3
2. Specifications	4
3. Speaker Characteristics	5
4. Mechanical Drawing	6
5. Packaging	7
<hr/>	
Changelog	8

Taoglas makes no warranties based on the accuracy or completeness of the contents of this document and reserves the right to make changes to specifications and product descriptions at any time without notice. Taoglas reserves all rights to this document and the information contained herein.

Reproduction, use or disclosure to third parties without express permission is strictly prohibited.

Copyright © Taoglas Ltd.



## 1. Introduction



Designed for the rugged environment of heavy-duty truck, Taoglas speakers deliver long-lasting pure and true sound. Our 4 Ohm High power 10 inch(244mm) diameter subwoofer is a high sensitivity speaker series. It delivers a distortion free, high fidelity audio and it can handle power burst in excess of 160W (over a short period).

The SPKR.10.4.A subwoofer speaker versatility makes it an ideal solution for car, truck, RV, or home Hi-Fi audio applications. It is also primed for IoT applications such as Smart Home and Agriculture in which the use of speakers is becoming more commonplace. With this in mind Taoglas has decided to add speakers to our extensive product catalogue in order to make the customers journey easier, as now we can provide a high quality antenna solution and a high quality speaker solution from one trusted company.

Taoglas' slim design, full range speakers are easy to install. Multiple mounting hole patterns provide flexibility for attaching to a vehicle door panel or integrating into a home Hi-Fi speaker cabinet. Installation requires just two cables to be routed.

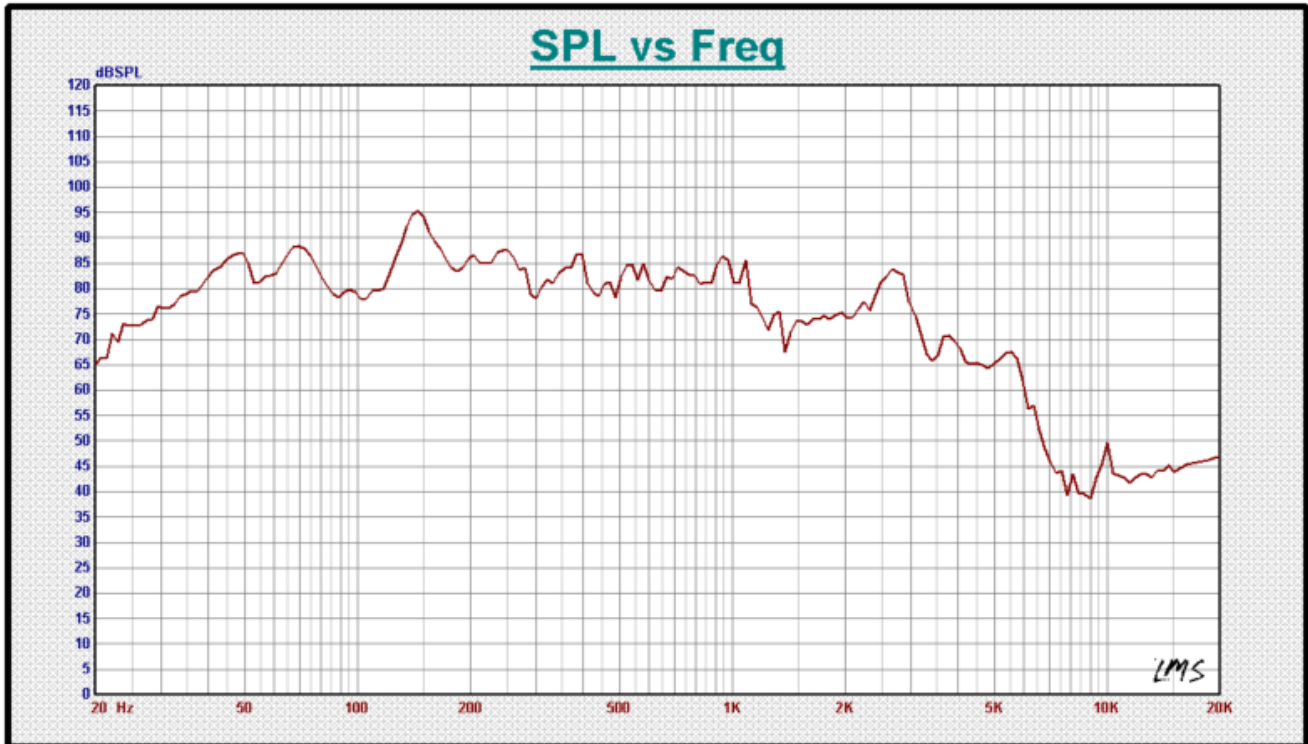
Contact your local Taoglas customer service team for more information or installation guidelines.

## 2. Specifications

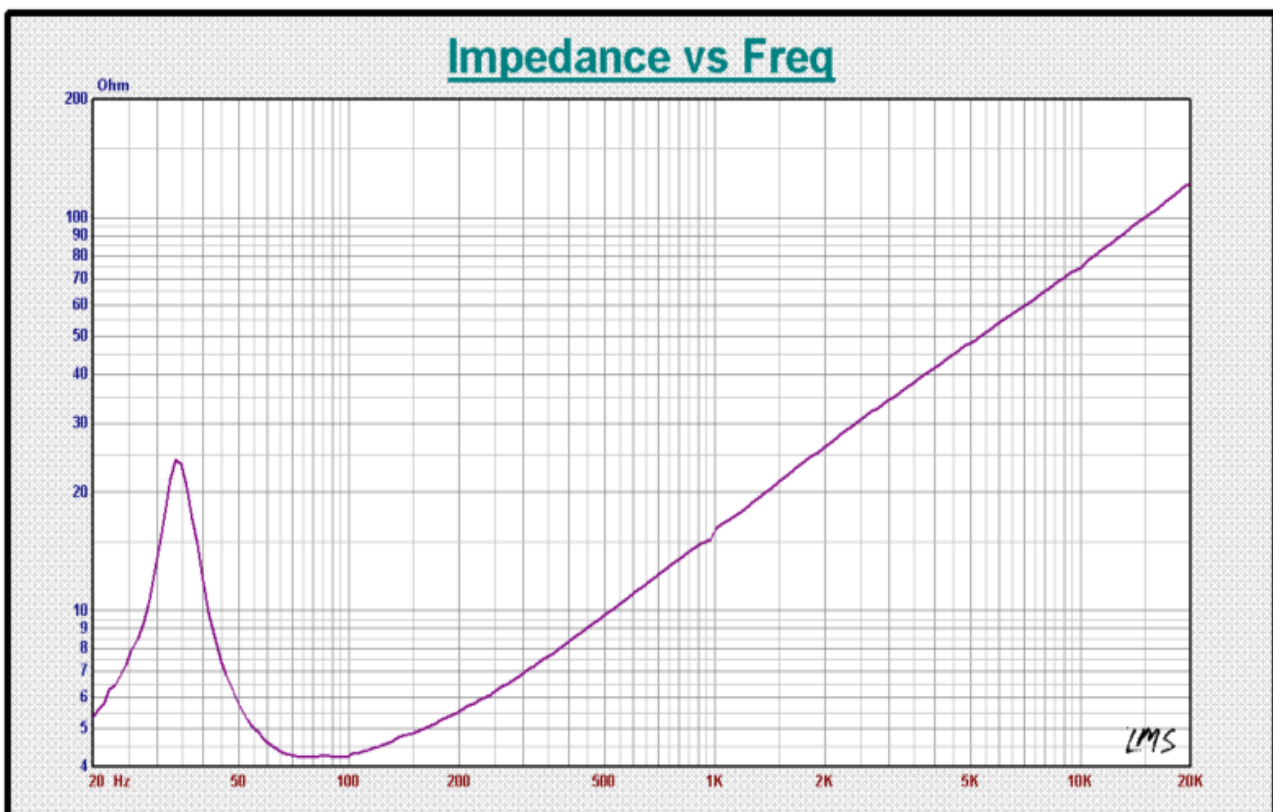
Electrical	
Impedance	4Ω
Minimum Input Power	80 W
Maximum Input Power	160W
Mechanical	
Height	116mm
Diameter	244mm
Weight	2.21Kg
Connector	Packard Electric 12052832
Environmental	
Temperature Range	-40°C to 85°C
Humidity	Non-condensing 65°C 95% RH

### 3. Speaker Characteristics

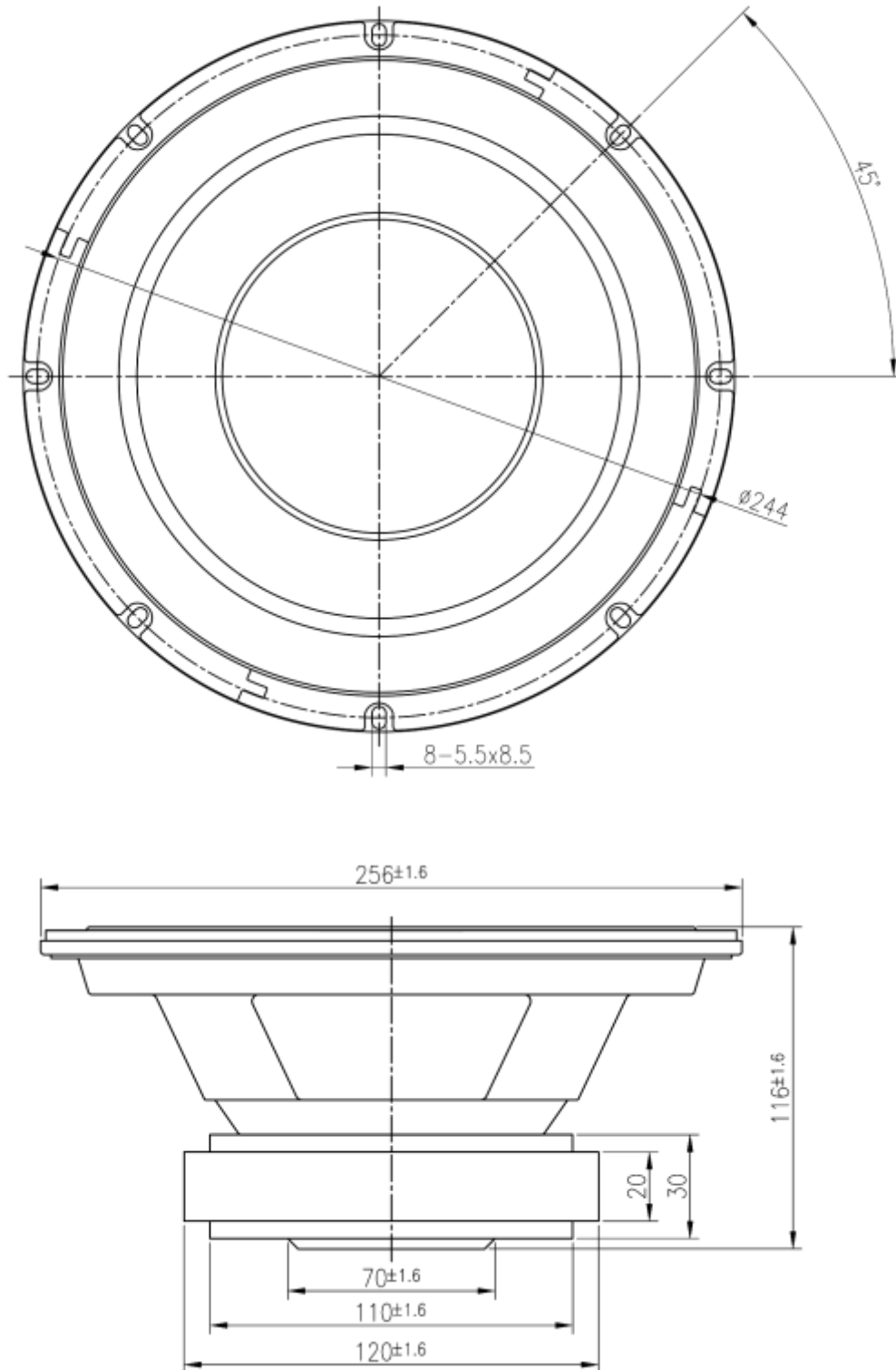
#### 3.1 SPL



#### 3.2 Impedance

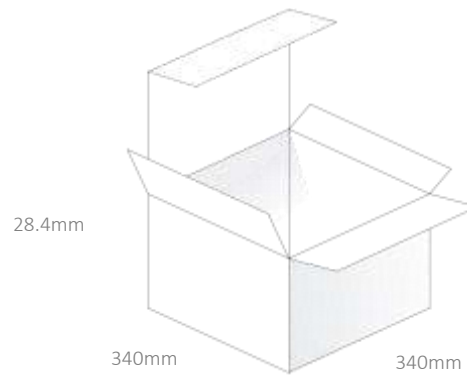


4. Mechanical Drawing (Units: mm)

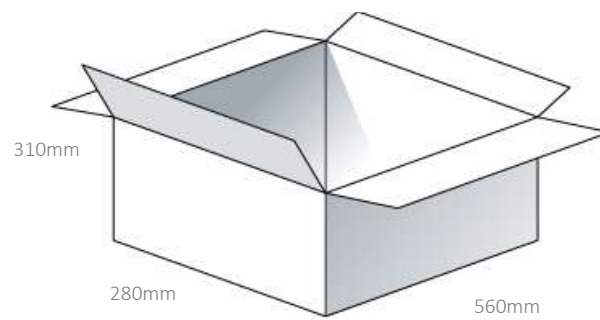


## 5. Packaging

1 pcs SPKR.10.4.A per Box  
 Dimensions – 270 x 270 x 130mm  
 Weight – 2.21kg



4 pcs SPKR.10.4.A per Carton  
 Dimensions – 560 x 280 x 310mm  
 Weight – 10Kg



Changelog for the datasheet

**SPE-19-8-044 – SPKR.10.4.A**

<b>Revision: D (Current Version)</b>	
Date:	2021-07-13
Changes:	Updated Mechanical Drawing
Changes Made by:	Gary West

**Previous Revisions**

<b>Revision: C</b>	
Date:	2019-10-23
Changes:	Added new drawings
Changes Made by:	Jack Conroy

<b>Revision: B</b>	
Date:	2019-09-12
Changes:	Updated the drawings
Changes Made by:	Jack Conroy

<b>Revision: A</b>	
Date:	2019-05-02
Changes:	
Changes Made by:	Jack Conroy





[www.taoglas.com](http://www.taoglas.com)

