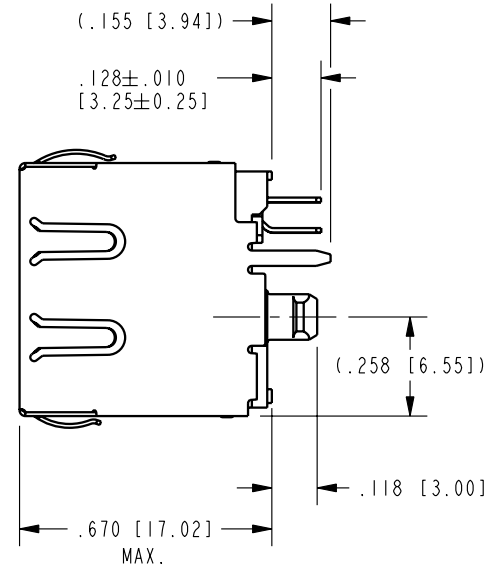
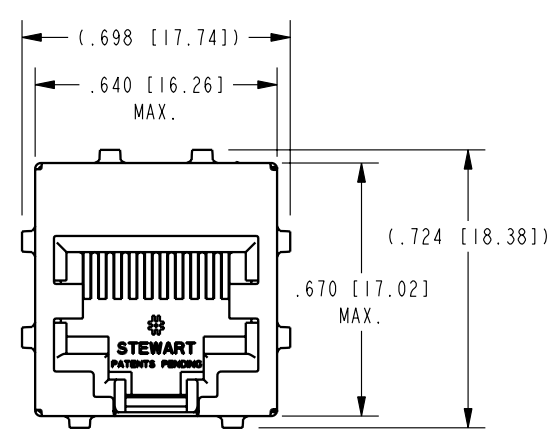
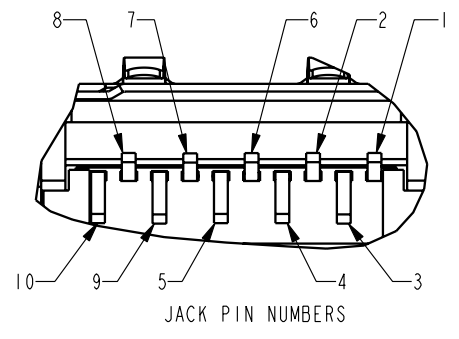
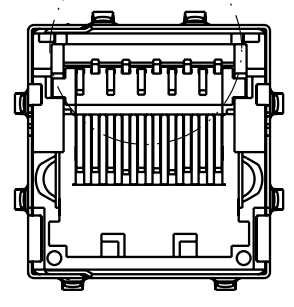


DATE	REV.	ECN	APP'D BY
2-29-08	A0	-	-

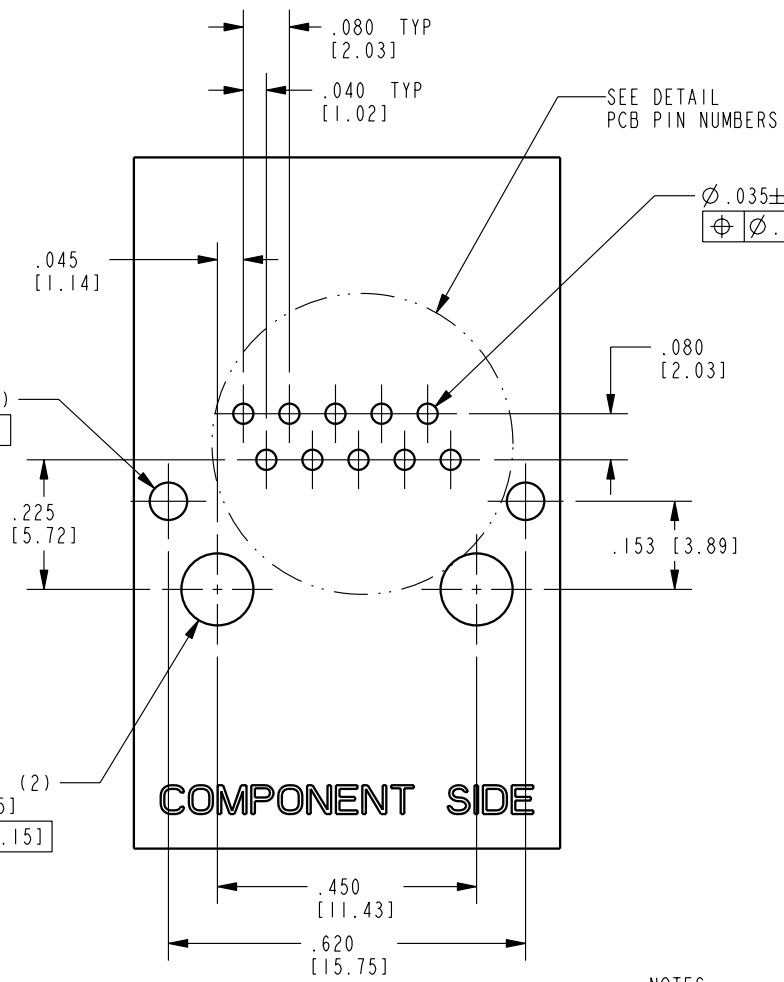


SEE DETAIL JACK PIN NUMBERS



Ø .065 ± .003 [1.65 ± 0.07] (2)  
⊕ Ø .006 [0.15]

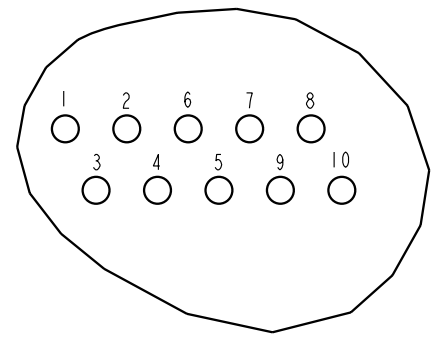
Ø .125-.128 (2)  
⊕ Ø .006 [0.15]



SEE DETAIL PCB PIN NUMBERS

Ø .035 ± .003 [0.89 ± 0.07] (10)  
⊕ Ø .006 [0.15]

PCB PIN NUMBERS



COMPONENT SIDE

PCB RECOMMENDED HOLE LAYOUT SEEN FROM COMPONENT SIDE  
ALL CENTERLINE DIMENSIONS ARE BASIC

- NOTES:
- CONNECTOR MATERIALS:  
HOUSING: THERMOPLASTIC UL94 V-0  
CONTACTS/SHIELD: COPPER ALLOY  
SHIELD PLATING: NICKEL  
CONTACT PLATING: SELECTIVE GOLD IN CONTACT AREA  
SEE CHART FOR PART NUMBER
  - PRODUCT DESIGNED FOR CATEGORY 6 APPLICATIONS
  - DIMENSIONS AND TOLERANCES COMPLY WITH FCC/CFR 47, PART 68.
  - REFERENCE PRODUCT SPECIFICATION PR026-01

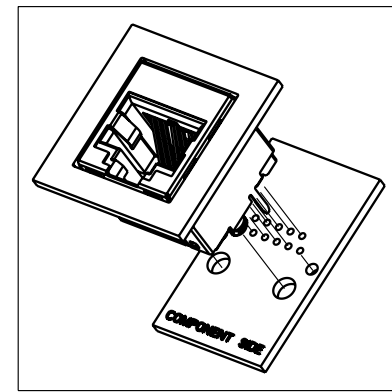
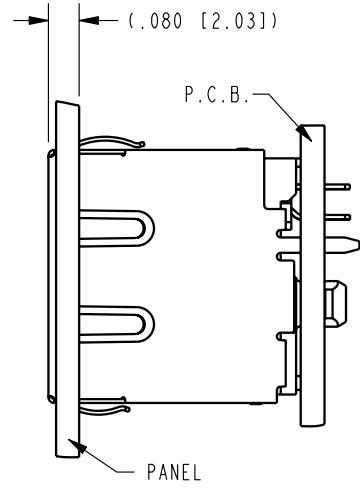
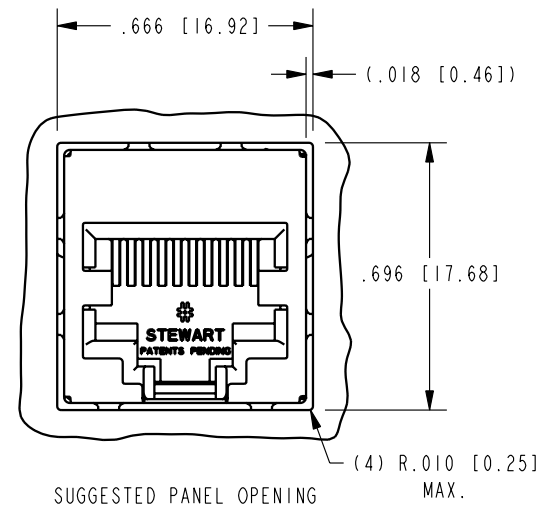
50 MICRO-INCHES [1.27um]	SS-60000-035
CONTACT PLATING IN MATING AREA	PART NUMBER

B

B

A

A



THIRD ANGLE PROJECTION	
DO NOT SCALE DRAWING	
DRAWING IS SUBJECT TO CHANGE WITHOUT NOTICE	
DIMENSIONS: INCHES [METRIC]	
UNLESS OTHERWISE SPECIFIED TOLERANCES ARE ±.005 [0.13] ANGLES ARE ±1°	
SHEET NO.	1 OF 1

# Bel Stewart Connector

11118 Susquehanna Trail South  
Glen Rock, PA 17327-9199  
(717) 235-7512 Fax: (717) 235-7954 <http://www.stewartconnector.com>

TITLE: CATEGORY 6 SHIELDED VERTICAL JACK, 10 PIN ASSEMBLY, W/PG GROUND TABS

DRN BY:	TRM	DATE	2-29-08
APPD BY:	DHG	DATE	2-29-08
DWG. NO.	CT600062	REV.	A0

THIS DRAWING AND THE SUBJECT MATTER SHOWN THEREON ARE CONFIDENTIAL AND THE PROPRIETARY PROPERTY OF BEL STEWART CONNECTOR AND SHALL NOT BE REPRODUCED, COPIED, OR USED IN ANY MANNER WITHOUT PRIOR WRITTEN CONSENT OF BEL STEWART CONNECTOR. THE SUBJECT MATTER MAY BE PATENTED OR A PATENT MAY BE PENDING.

REV. 7/3/03