

This document shall be issued upon changes to the design of a GCT Product.
It shall be distributed to all Interested Parties and shall be made available on the GCT Website.

Date of Notice: (DD/MM/YYYY) **21/02/2022**

Product Change Notice Number: **USB3505 B PCN 20220221**

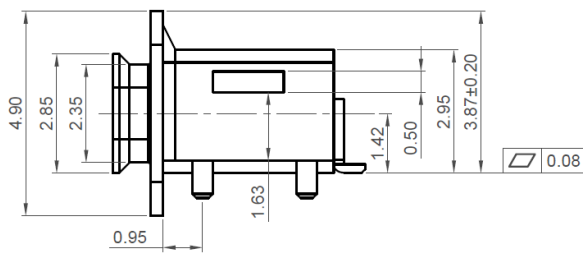
Product Identifier: **USB3505-30-A**

Drawing Revision Letter: **B**

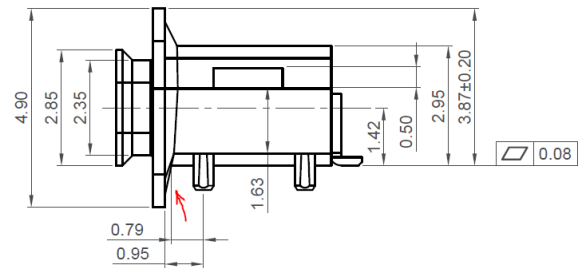
Effective from date code/batch code: **Running change**

Description of Changes: with diagrams if relevant

1. Add chamfer to shell

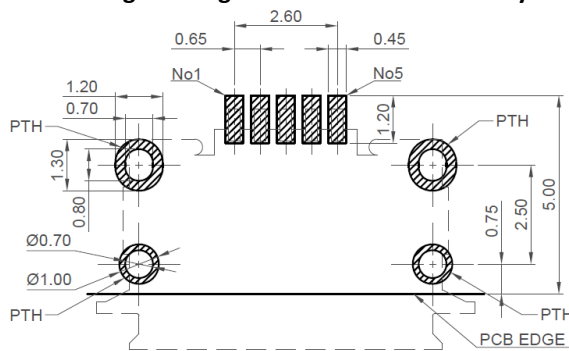


Version A4

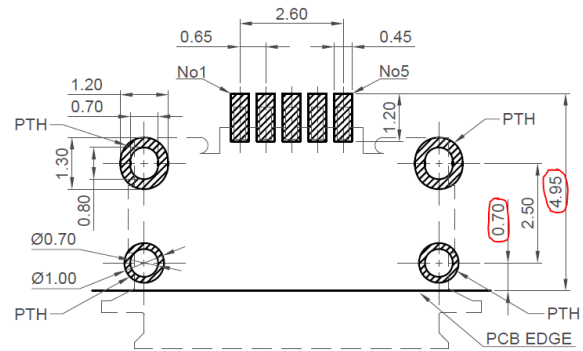


Version B

2. Slight change to recommended PCB layout



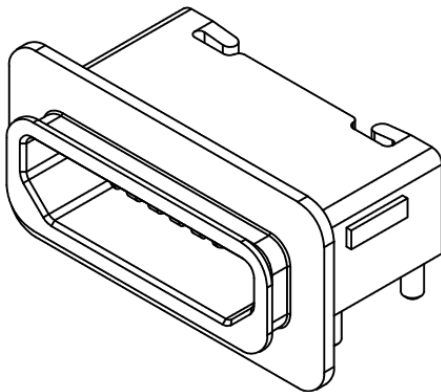
Version A4



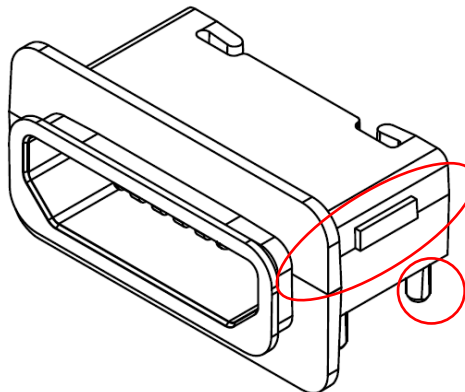
Version B

NOTE: New samples will be provided to all existing customers for approval on current PCB designs.

3. Add draft angel to shell, slight change to location pegs



Version A4



Version B

Reason for Change:

To improve manufacturability, specifically that it is no economical viable for GCT to manufacture this part in current version due to 50% failure rate under Quality Control.

Anticipated Impact on Form, Fit, Function or Reliability:

Reduced clearance between part and PCB

Required Inventory Action:

GCT will advise all customers as to Batch Reference for final A4 version batch, and for Batch Reference for first B version batch.

Additionally, GCT will seek to add special marking for both A4 version and B version batches, with version number flagged on all reels. Where no version appears on a reel, it can be assumed it is version A4.

Contact Information(s): (if blank, please visit www.gct.co or use the regional details below).

GCT Europe (UK) +44 (0)1707 321122 sales@gct-europe.com	GCT Americas (USA) +1 978 208 1618 sales@gct-americas.com	GCT Asia-Pacific (HK) +852 2578 9030 sales@gct-apac.com

QR18 Version 1.2

Prepared by: MJC

Reviewed by: ST

Approved by: ST

Prepared: 06/04/2017

Reviewed: 06/04/2017

Approved: 06/04/2017