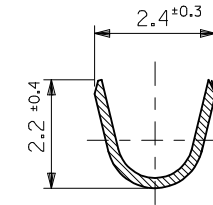
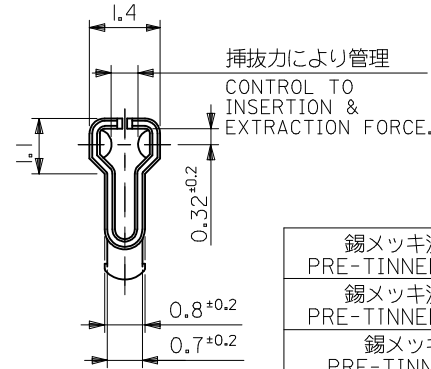
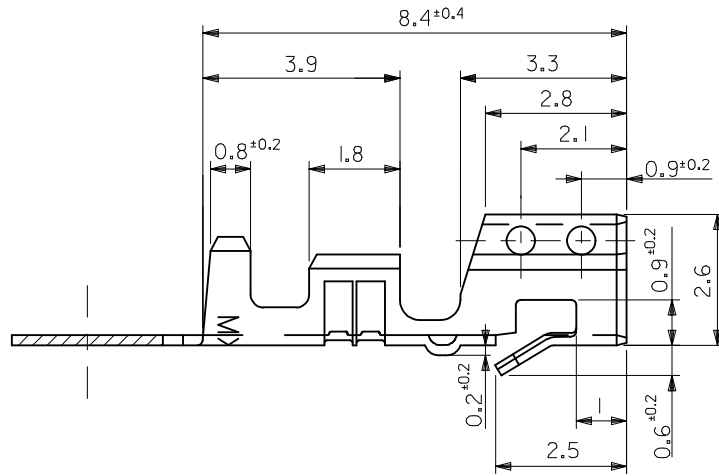


断面 A-A
SECT. A-A



断面 B-B
SECT. B-B



注記 NOTES;

1. 適合ハウジング :
APPLICABLE HOUSING : 5207-N

錫メッキ済リン青銅 PRE-TINNED PHOS-BRO.	08-70-0059	5103PBTL	バラ状 LOOSE
錫メッキ済リン青銅 PRE-TINNED PHOS-BRO	08-70-0058	5103PBT	連鎖状 CHAIN
錫メッキ済黄銅 PRE-TINNED BRASS	08-70-0056	5103T	連鎖状 CHAIN
材料 MATERIAL	EDP NO.	ENG. NO.	端子形状 FORM

材料 MATERIAL	表参照 (t=0.203) SEE TABLE	REVISED EC NO: J2016-0865 DRWN: MIYABE 2016/01/08 CHKD: KASAKAWA 2016/2/18 APPR: KANEKO 2016/03/18	GENERAL TOLERANCES (UNLESS SPECIFIED)			DIMENSION STYLE MM ONLY		SCALE 10:1	DESIGN UNITS METRIC	THIRD ANGLE PROJECTION
適用電線範囲 WIRE RANGE	AWG #22 ~ 28 0.33 ~ 0.08mm ²		0.25 UNDER	UNDER	± 0.03	DRAWN BY K. TOJO	DATE 1990/12/25	TITLE MINI SPOX CRIMP REC		
被覆外径 INS. RANGE	Ø 1.5 ~ Ø 1.9		0.25 OVER	0.5 UNDER	± 0.05	CHECKED BY H. HIRAMOTO	DATE 1996/03/04	DOCUMENT NO. SD-5103-002		
		DESCRIPTION	1.0 OVER	1.0 UNDER	± 0.1	APPROVED BY M. FUKUSHIMA	DATE 1996/03/04	SHEET NO. 1 OF 1		
		REV	10 OVER	30 UNDER	± 0.25	MATERIAL NO. SEE CHART		THIS DRAWING CONTAINS INFORMATION THAT IS PROPRIETARY TO MOLEX ELECTRONIC TECHNOLOGIES, LLC AND SHOULD NOT BE USED WITHOUT WRITTEN PERMISSION		
			30 OVER		± 0.3	SIZE A3				
			ANGULAR ± 3 °			DRAFT WHERE APPLICABLE MUST REMAIN WITHIN DIMENSIONS				