

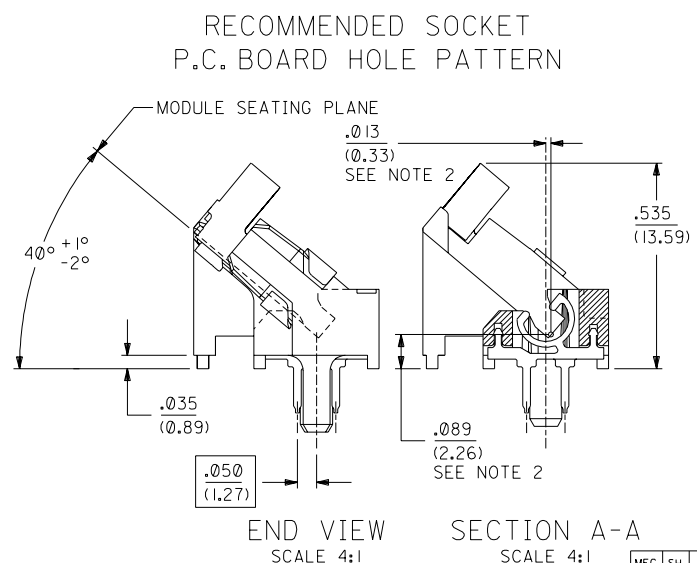
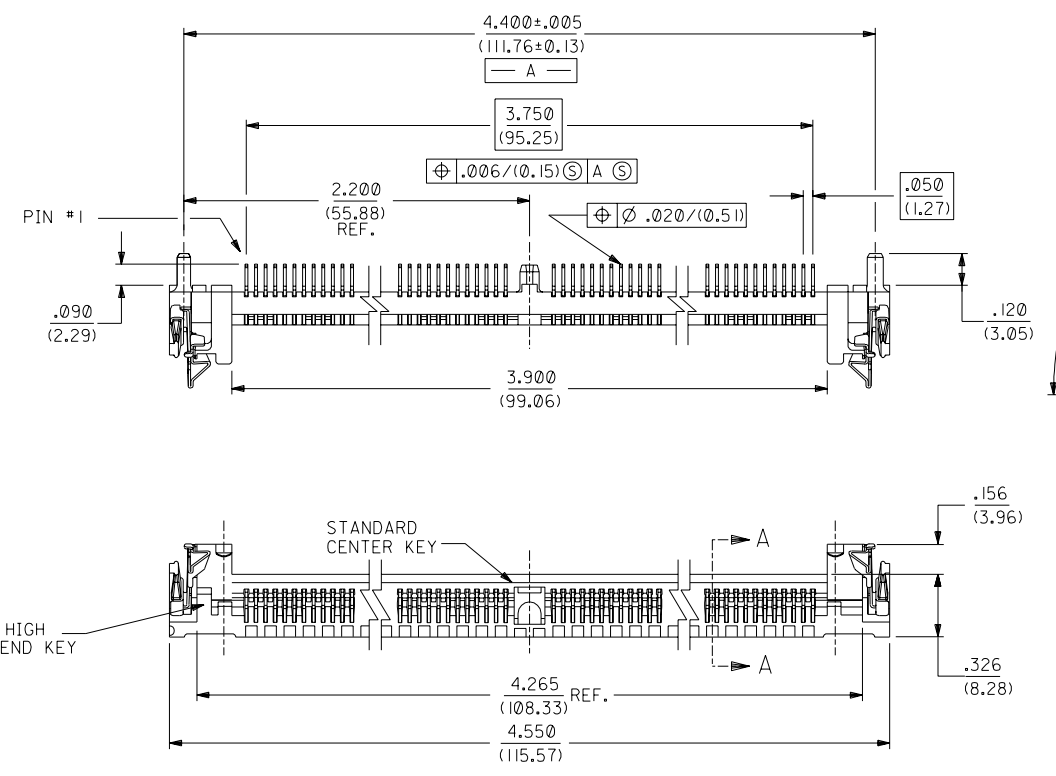
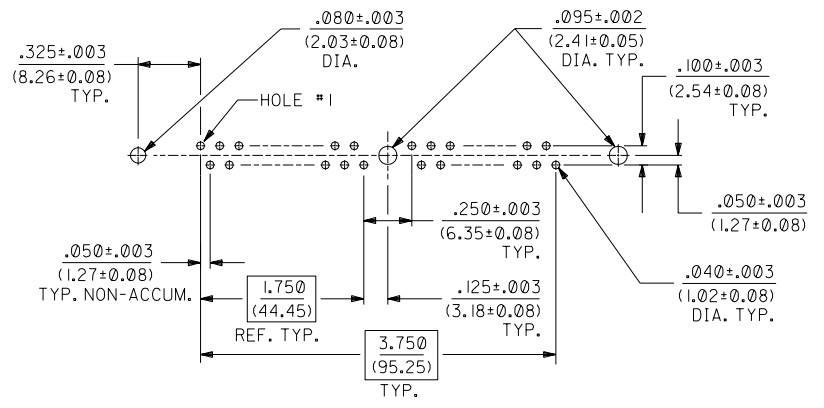
NOTES:

- CARD SLOT ACCEPTS P.C. BOARDS $.050 +.004 / -.003$ THICK, MEASURED OVER CONTACT PADS. (1.27 ± 0.10 / -0.08)
- LOCATION OF LOWER CORNER OF MODULE BOARD.
- PRODUCT SPEC PS-78954 APPLIES.
- CENTER PEG IS AN INTERFERENCE FIT TO RECOMMENDED P.C. BOARD HOLE.

MATERIALS:

- HOUSING: LCP, GLASS FILLED, 94V-0. COLOR: BLACK.
- LATCH: STAINLESS STEEL.
- TERMINAL: PHOSPHOR BRONZE, POST PLATED
- 200 μm / (5.08 μm) MINIMUM TIN IN CONTACT AREA AND 150 μm / (3.81 μm) MINIMUM TIN IN TAIL AREA OVER 50 μm / (1.27 μm) MINIMUM NICKEL OVERALL.

THE PRIMARY SHIPPING CARTON WILL BE LABELED "COMPLIANT TO RoHS DIRECTIVE 2002/95/EC AND ELV ANNEX II OF DIRECTIVE 2000/53/EC". CARTONS WITHOUT THIS LABEL MAY CONTAIN PRODUCT WITH LEAD.



C	LEAD FREE UCP2004-1582 RWHITE 04/03/03
B	REVISED PER ECN# U51393 GMY 7-25-95
A	RELEASE PER ECN# U50845 DKS 2-23-95

DIMENSIONS SHOWN (METRIC) INCH		UNLESS OTHERWISE SPECIFIED TOLERANCES: ANGULAR ± 1/2°	
3 PLACE	± .010	---	---
2 PLACE	± .014	± 0.25	---
1 PLACE	---	± 0.36	---
DRAFT WHERE APPLICABLE MUST REMAIN WITHIN DIMENSIONS			
DRWG. BY: DKS	CHK'D. BY:	SCALE: 2:1	REV.:
FILE NAME: ST0376-46	DATE: 02/23/95	THIS DRAWING CONTAINS INFORMATION THAT IS PROPRIETARY TO MOLEX INC. AND SHOULD NOT BE USED WITHOUT WRITTEN PERMISSION.	

TITLE		REVISE ONLY ON CAD SYSTEM	
SALES ASSY. 72 CIRCUIT 40° METAL LATCH HIGH KEY SINGLE ROW SIMM SOCKET			
PART NO. 15-82-0649	DRWG. NO. SDA-78976-7246	SHEET NO. 1 OF 1	DATE 02/23/95
MOLEX INC. LISLE, ILL. 60532	U.S.A.		