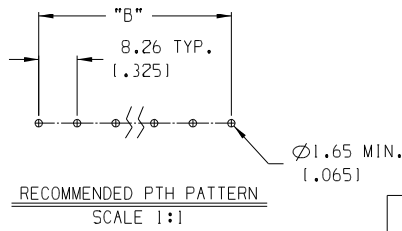
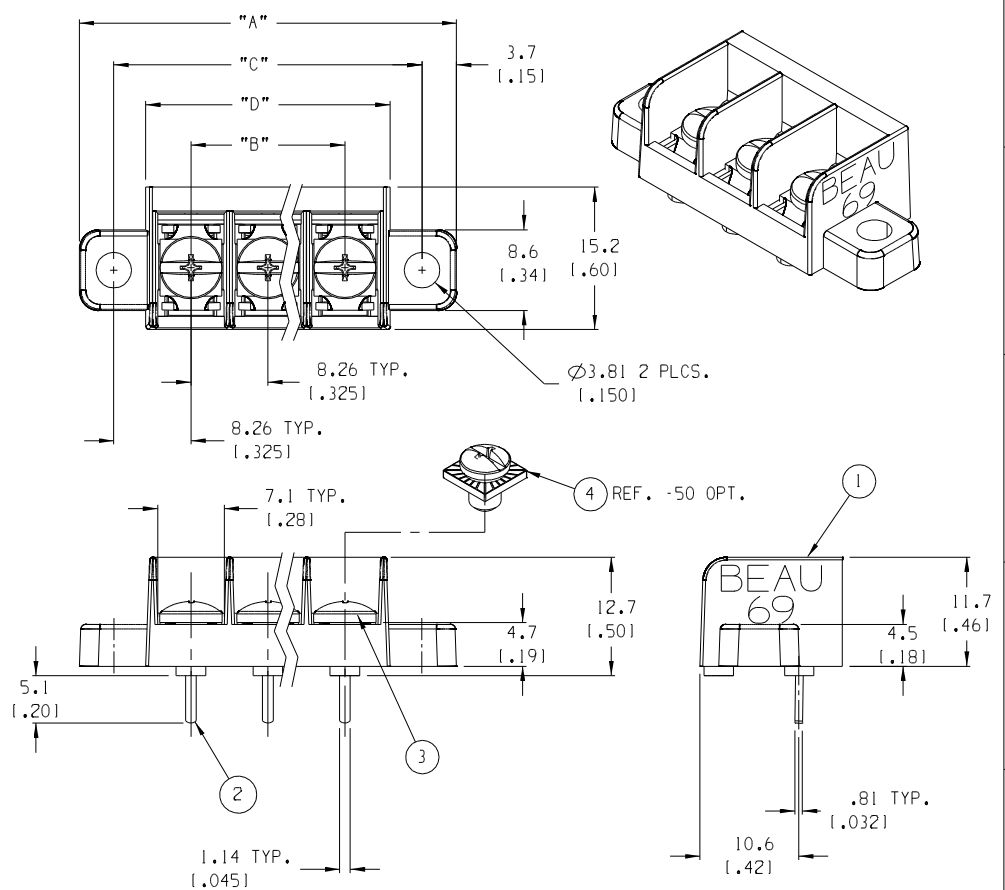


# OF CIRC. "XX"	"A"	"B"	"C"	"D"	MATERIAL NO. (STD)	MATERIAL NO. (-50 OPTION)
01	23.9 (.94)	-	16.51 (.650)	9.7 (.38)	386906401	386907601
02	32.1 (1.27)	8.26 (.325)	24.77 (.975)	17.9 (.71)	386906402	386907602
03	40.4 (1.59)	16.51 (.650)	33.02 (1.300)	26.2 (1.03)	386906403	386907603
04	48.6 (1.92)	24.77 (.975)	41.28 (1.625)	34.4 (1.36)	386906404	386907604
05	56.9 (2.24)	33.02 (1.300)	49.53 (1.950)	42.7 (1.68)	386906405	386907605
06	65.2 (2.57)	41.28 (1.625)	57.79 (2.275)	50.9 (2.01)	386906406	386907606
07	73.4 (2.89)	49.53 (1.950)	66.04 (2.600)	59.2 (2.33)	386906407	386907607
08	81.7 (3.22)	57.79 (2.275)	74.30 (2.925)	67.4 (2.66)	386906408	386907608
09	89.9 (3.54)	66.04 (2.600)	82.55 (3.250)	75.7 (2.98)	386906409	386907609
10	98.2 (3.87)	74.30 (2.925)	90.81 (3.575)	83.9 (3.31)	386906410	386907610
11	106.4 (4.19)	82.55 (3.250)	99.06 (3.900)	92.2 (3.63)	386906411	386907611
12	114.7 (4.52)	90.81 (3.575)	107.32 (4.225)	100.5 (3.96)	386906412	386907612
13	122.9 (4.84)	99.06 (3.900)	115.57 (4.550)	108.7 (4.28)	386906413	386907613
14	131.2 (5.17)	107.32 (4.225)	123.83 (4.875)	117.0 (4.61)	386906414	386907614
15	139.4 (5.49)	115.57 (4.550)	132.08 (5.200)	125.2 (4.93)	386906415	386907615
16	147.7 (5.82)	123.83 (4.875)	140.34 (5.525)	133.5 (5.26)	386906416	386907616
17	156.0 (6.14)	132.08 (5.200)	148.59 (5.850)	141.7 (5.58)	386906417	386907617
18	164.2 (6.47)	140.34 (5.525)	156.85 (6.175)	150.0 (5.91)	386906418	386907618
19	172.5 (6.79)	148.59 (5.850)	165.10 (6.500)	158.2 (6.23)	386906419	386907619
20	180.7 (7.12)	156.85 (6.175)	173.36 (6.825)	166.5 (6.56)	386906420	386907620
21	189.0 (7.44)	165.10 (6.500)	181.61 (7.150)	174.8 (6.88)	386906421	386907621
22	197.2 (7.77)	173.36 (6.825)	189.87 (7.475)	183.0 (7.21)	386906422	386907622
23	205.5 (8.09)	181.61 (7.150)	198.12 (7.800)	191.3 (7.53)	386906423	386907623
24	213.7 (8.42)	189.87 (7.475)	206.38 (8.125)	199.5 (7.86)	386906424	386907624
25	222.0 (8.74)	198.12 (7.800)	214.63 (8.450)	207.8 (8.18)	386906425	386907625
26	230.3 (9.07)	206.38 (8.125)	222.89 (8.775)	216.0 (8.51)	386906426	386907626
27	238.5 (9.39)	214.63 (8.450)	231.14 (9.100)	224.3 (8.83)	386906427	386907627
28	246.8 (9.72)	222.89 (8.775)	239.40 (9.425)	232.5 (9.16)	386906428	386907628
29	255.0 (10.04)	231.14 (9.100)	247.65 (9.750)	240.8 (9.48)	386906429	386907629
30	263.3 (10.37)	239.40 (9.425)	255.91 (10.075)	249.0 (9.81)	386906430	386907630
31	271.5 (10.69)	247.65 (9.750)	264.16 (10.400)	257.3 (10.13)	386906431	386907631
32	279.8 (11.02)	255.91 (10.075)	272.42 (10.725)	265.6 (10.46)	386906432	386907632



NOTES:

1. MATERIAL: SEE TABLE
2. FINISHES: SEE TABLE
3. PRODUCT SPECIFICATION: NOT REQUIRED
4. PACKAGING: NOT REQUIRED
5. MATES WITH: NONE
6. "XX" REFERS TO THE QUANTITY OF CIRCUITS.

4	XX	SCREW, #6-32X.250, PAN HD, W/ SO. WASHER, -50 OPT.	STEEL	ZN, CLEAR CHROMATE
3	XX	SCREW, #6-32X.250, PAN HD, PHIL-SLOT	BRASS	NICKEL PLATE
2	XX	TERMINAL, PC	BRASS	TIN PLATE
1	1	INSULATOR, SR, CS, MOLDED MTG.	VALOX	BLACK
ITEM	QTY.	DESCRIPTION	MATERIAL	FINISH

EC NO. RELEASED DRWIN: CLY CH: K1 APPR:	DESCRIPTION MAJOR CRITICAL SPC S	QUALITY SYMBOLS	GENERAL TOLERANCES: (UNLESS SPECIFIED) mm INCH 4 PLACES ±.0015 3 PLACES ±.038 ±.005 2 PLACES ±.13 ±.01 1 PLACE ±.3	SCALE 2:1 DESIGN UNITS <input type="checkbox"/> mm <input checked="" type="checkbox"/> INCH	THIRD ANGLE PROJECTION	DIMENSIONS: <input checked="" type="checkbox"/> mm <input type="checkbox"/> INCH <input type="checkbox"/> mm ONLY	SHT REV	
		DRAWN BY & DATE C. YORK 05-28-05	CHECKED BY & DATE	APPROVED BY & DATE	TITLE: 8.26mm (.325") SR BTS, CS, PC ASSY	MATERIAL NO. SEE CHART	DRAWING NO. SD-38690-002	SHEET NO. 1 OF 1
		CAD FILENAME 695XX	DRAFT WHERE APPLICABLE MUST REMAIN WITHIN DIMENSIONS	THIS DRAWING CONTAINS INFORMATION THAT IS PROPRIETARY TO MOLEX INCORPORATED AND SHOULD NOT BE USED WITHOUT WRITTEN PERMISSION.	SIZE B			
		MOLEX INCORPORATED						