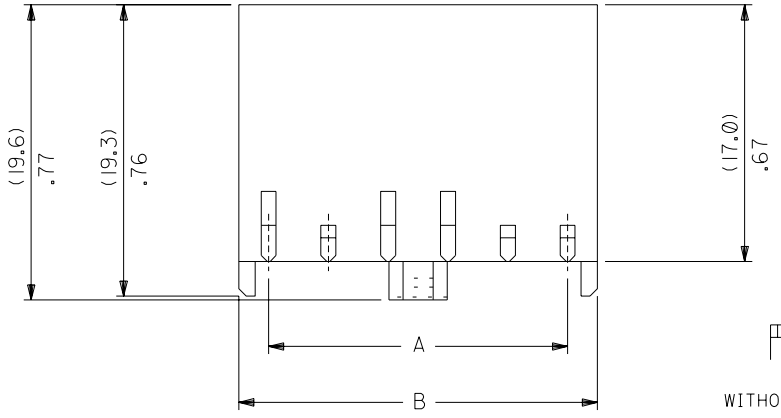


PART NO. SEE CHART
 DWG. NO. SD-90331-001

PART NO.	KEYING RECD. AT CIRCUIT POSITIONS						DIM. A	DIM. B	MIDDLE LOCKING PEG	CKT. SIZE
	1	2	3	4	5	6				
90331-**01	YES	YES	YES	YES	YES	YES	19.81±0.13	23.67±0.13	YES	6
90331-**02	YES	NO	NO	NO	NO	NO	19.81±0.13	23.67±0.13	YES	6
90331-**03	NO	NO	NO	YES	NO	NO	19.81±0.13	23.67±0.13	YES	6
90331-**04	YES	NO	YES	YES	NO	NO	19.81±0.13	23.67±0.13	YES	6
90331-**05	YES	YES	—	—	—	—	3.96±0.10	7.82±0.10	NO	2
90331-**06	NO	NO	NO	NO	NO	NO	19.81±0.13	23.67±0.13	NO	6
90331-**07	NO	YES	NO	NO	NO	NO	19.81±0.13	23.67±0.13	YES	6
90331-**08	NO	NO	YES	NO	NO	NO	19.81±0.13	23.67±0.13	YES	6
90331-**09	NO	NO	NO	NO	YES	NO	19.81±0.13	23.67±0.13	YES	6
90331-**10	NO	NO	NO	NO	NO	YES	19.81±0.13	23.67±0.13	YES	6

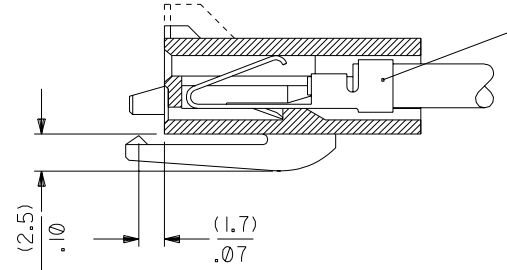
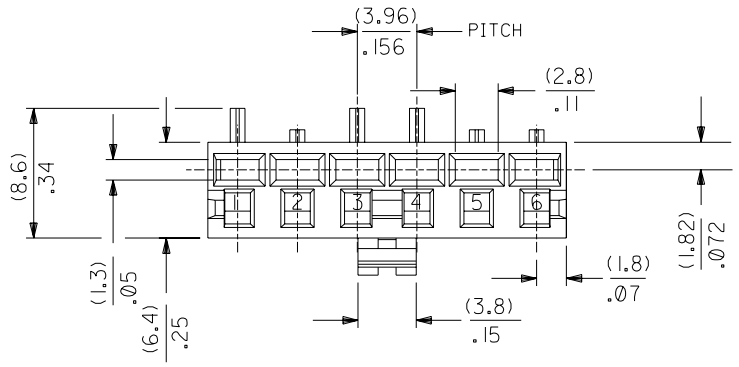


LEGEND :

90331- * * 0 *

COLOUR — 0=NATURAL
 1=BLACK (AVAILABLE IN NYLON ONLY)

MATERIAL — 0=POLYESTER 94 V0-NATURAL(WHITE)
 1=NYLON 6/6 UL 94 V0-NATURAL(WHITE) OR BLACK
 4=NYLON 6/6 UL 94 V2-NATURAL OR BLACK



PART NO. 08-50-0277
 MATERIAL: PRE-TIN BRASS
 PLATING TO P902 CODE PER ES-88
 SPECIFICATION.

NOTES :

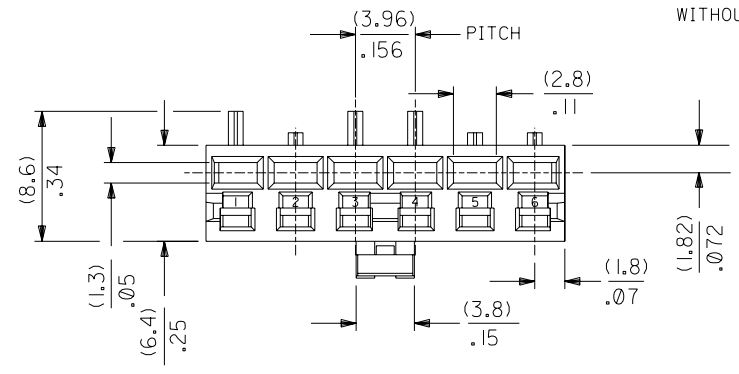
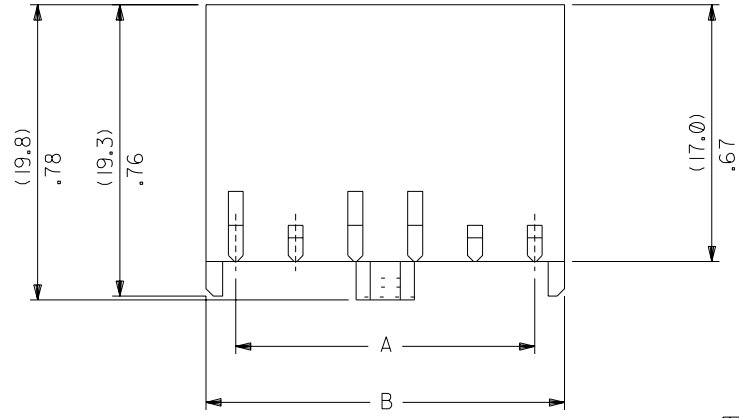
- HOUSING MATERIAL: SEE LEGEND. NYLON OPTIONS ARE FOR TAIWAN PRODUCTION ONLY.
- FOR USE WITH 8993 SERIES TERMINAL.
- KEY IS OPTIONAL. PLS SEE TABLE FOR P/N.
- FOR ILLUSTRATION PURPOSE, 90331-004 IS SHOWN
- PRODUCT SPECIFICATION: PS-90331

CHANGED PLATING CODES EC NO. E2004-0036 DRWN: PSHEAHAN 03/07/14 CHK: APPR:	QUALITY SYMBOLS MAJOR $\blacktriangledown = 0$ CRITICAL $\blacktriangledown = 0$	GENERAL TOLERANCES: (UNLESS SPECIFIED)		SCALE 3:1	DESIGN UNITS <input checked="" type="checkbox"/> mm <input type="checkbox"/> INCH	THIRD ANGLE PROJECTION <input checked="" type="checkbox"/> mm <input type="checkbox"/> INCH <input type="checkbox"/> mm ONLY	DIMENSIONS: <input checked="" type="checkbox"/> mm <input type="checkbox"/> INCH <input type="checkbox"/> mm ONLY		SHT 2	REV V	
		4 PLACES ±0. mm ±.005 INCH	3 PLACES ±0. mm ±.010 INCH	2 PLACES ±0.13 mm ±. INCH	1 PLACE ±0.25 mm ±. INCH	DRAWN BY & DATE CD 9/12/18		CHECKED BY & DATE		APPROVED BY & DATE	
REV V	DESCRIPTION	ANGULAR: ± 1/2 °		CAD FILENAME S90331EX1.DGN		MATERIAL NO. SEE CHART		DRAWING NO. SD-90331-001		SHEET NO. IOF2	
		DRAFT WHERE APPLICABLE MUST REMAIN WITHIN DIMENSIONS		THIS DRAWING CONTAINS INFORMATION THAT IS PROPRIETARY TO MOLEX INCORPORATED AND SHOULD NOT BE USED WITHOUT WRITTEN PERMISSION.							

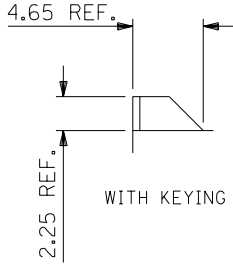
TITLE: HOUSING 3.96 PITCH
 CORING OPTION 1 FOR USE
 W/ 8993 TERMINAL

MOLEX MOLEX INCORPORATED

PART NO. SEE CHART
 DWG. NO. SD-90331-001



WITHOUT KEYING



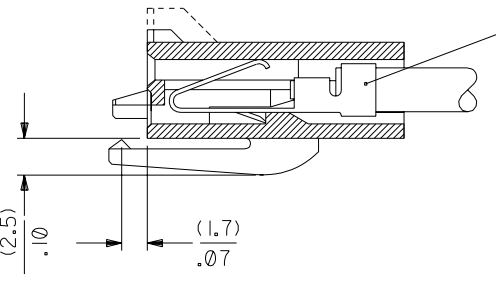
LEGEND :

90331- * * 0 *

COLOUR — 0=NATURAL
 1=BLACK (AVAILABLE IN NYLON ONLY)

MATERIAL — 0=POLYESTER 94 V0-NATURAL(WHITE)
 1=NYLON 6/6 UL 94 V0-NATURAL(WHITE) OR BLACK
 4=NYLON 6/6 UL 94 V2-NATURAL OR BLACK

PART NO.	KEYING REQD. AT CIRCUIT POSITIONS						DIM. A	DIM. B	MIDDLE LOCKING PEG	CKT. SIZE
	1	2	3	4	5	6				
90331-**01	YES	YES	YES	YES	YES	YES	19.81±0.13	23.67±0.13	YES	6
90331-**02	YES	NO	NO	NO	NO	NO	19.81±0.13	23.67±0.13	YES	6
90331-**03	NO	NO	NO	YES	NO	NO	19.81±0.13	23.67±0.13	YES	6
90331-**04	YES	NO	YES	YES	NO	NO	19.81±0.13	23.67±0.13	YES	6
90331-**05	YES	YES	—	—	—	—	3.96±0.10	7.82±0.10	NO	2
90331-**06	NO	NO	NO	NO	NO	NO	19.81±0.13	23.67±0.13	NO	6
90331-**07	NO	YES	NO	NO	NO	NO	19.81±0.13	23.67±0.13	YES	6
90331-**08	NO	NO	YES	NO	NO	NO	19.81±0.13	23.67±0.13	YES	6
90331-**09	NO	NO	NO	NO	YES	NO	19.81±0.13	23.67±0.13	YES	6
90331-**10	NO	NO	NO	NO	NO	YES	19.81±0.13	23.67±0.13	YES	6



PART NO. 08-50-0277
 MATERIAL: PRE-TIN BRASS
 PLATING TO P902 CODE PER ES-88
 SPECIFICATION.

- NOTES :
- HOUSING MATERIAL: SEE LEGEND. NYLON OPTIONS ARE FOR TAIWAN PRODUCTION ONLY.
 - FOR USE WITH 8993 SERIES TERMINAL.
 - KEY IS OPTIONAL. PLS SEE TABLE FOR P/N.
 - FOR ILLUSTRATION PURPOSE, 90331-**04 IS SHOWN
 - PRODUCT SPECIFICATION: PS-90331

CHANGED PLATING CODES EC NO. E2004-0036 DRWN: PSHEAHAN 03/07/14 CHK: / / / APPR: / / /	QUALITY SYMBOLS MAJOR \blacktriangledown = 0 CRITICAL ∇ = 0	GENERAL TOLERANCES: (UNLESS SPECIFIED)		SCALE	DESIGN UNITS	THIRD ANGLE PROJECTION	DIMENSIONS:		SHT	REV
		mm	INCH	<input checked="" type="checkbox"/> mm <input type="checkbox"/> INCH	<input checked="" type="checkbox"/> mm <input type="checkbox"/> INCH	<input checked="" type="checkbox"/> mm <input type="checkbox"/> INCH	<input type="checkbox"/> mm <input type="checkbox"/> INCH			
REV	DESCRIPTION	4 PLACES ±0. ±.		DRAWN BY & DATE FM 94/02/21		TITLE: HOUSING 3.96 PITCH CORING OPTION 2, FOR USE W/ 8993 SERIES TERMINAL				
		3 PLACES ±0. ±.005		CHECKED BY & DATE						
		2 PLACES ±0.13 ±.010		APPROVED BY & DATE		MOLEX INCORPORATED				
		1 PLACE ±0.25 ±.		CAD FILENAME						
		ANGULAR: ± °		S90331EX2.DGN		SEE CHART	SD-90331-001	2 OF 2		
DRAFT WHERE APPLICABLE MUST REMAIN WITHIN DIMENSIONS										SIZE B
THIS DRAWING CONTAINS INFORMATION THAT IS PROPRIETARY TO MOLEX INCORPORATED AND SHOULD NOT BE USED WITHOUT WRITTEN PERMISSION.										