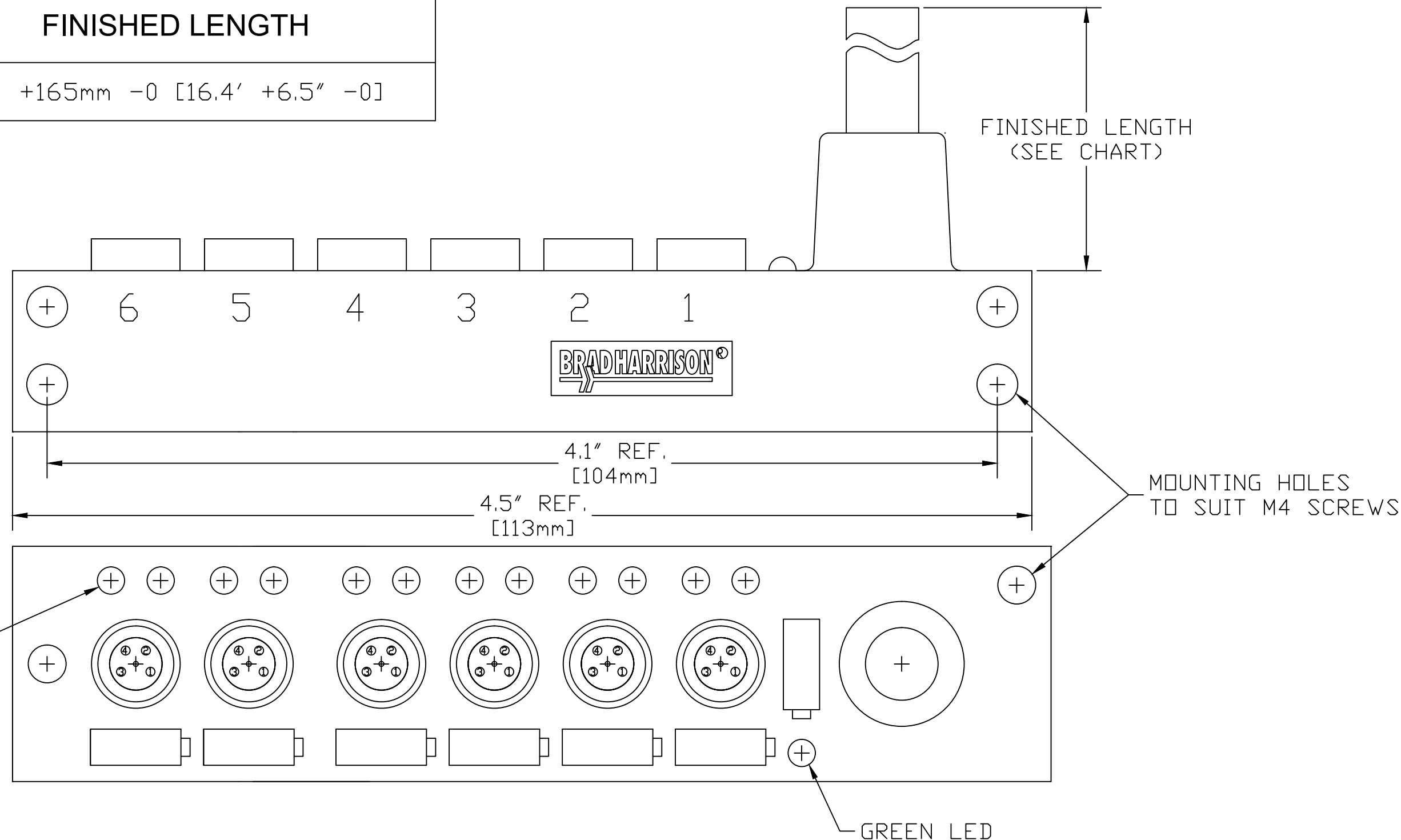


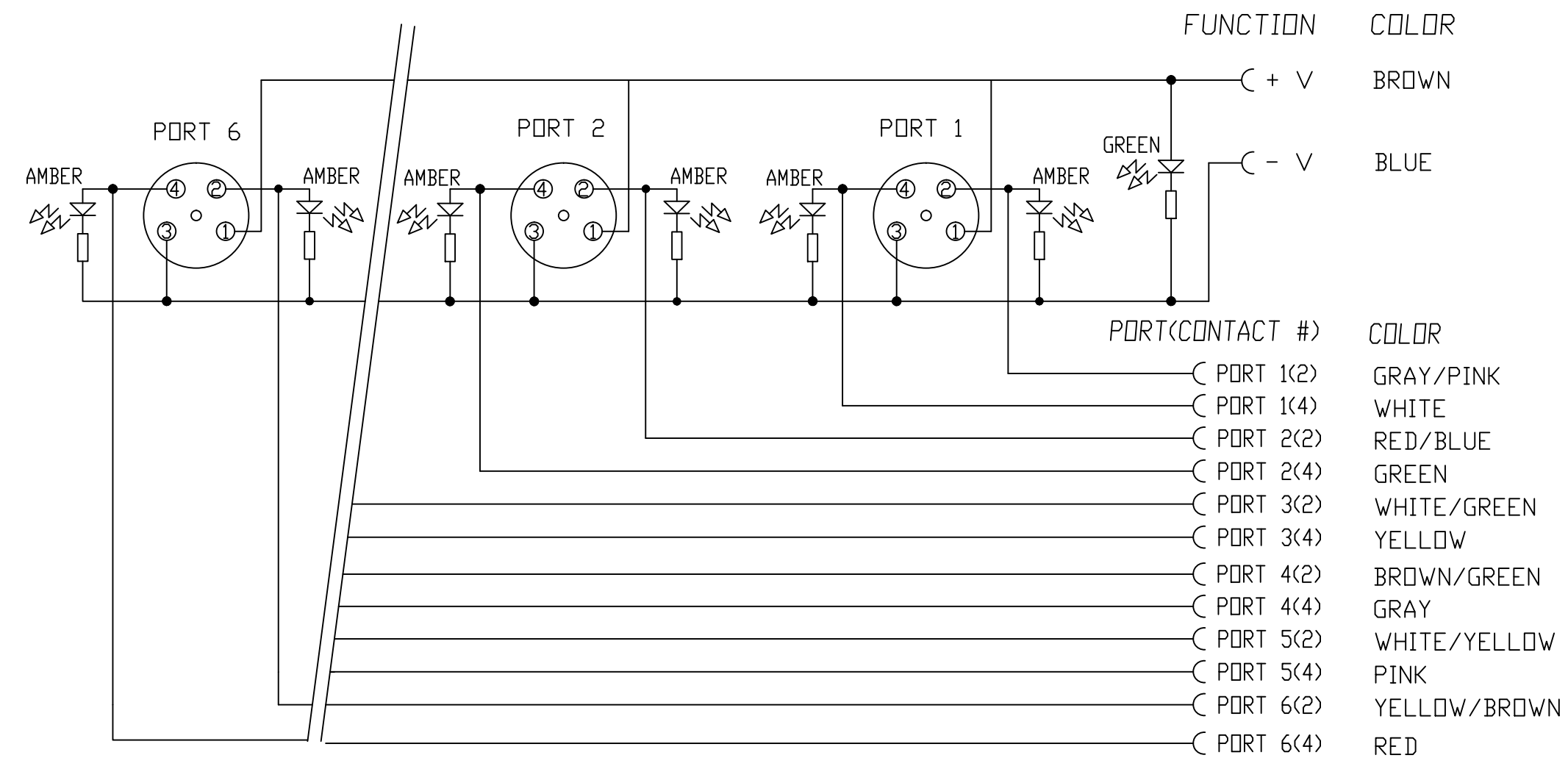
13	12	11	10	9	8	7	6	5	4	3	2	1
MATERIAL NUMBER		OLD PART NUMBER		FINISHED LENGTH								
1200540044		BNY603P-FBP-05		5M +165mm -0 [16.4' +6.5" -0]								



AMBER LED (12 PL.)

GREEN LED

MOUNTING HOLES TO SUIT M4 SCREWS



BNY603P-FBP-05

Wire type
2x.75mm² + 12x.34mm²
Black PUR

cable length
05----5 Meter
100----10 Meter

CONTACT:	GOLD/NICKEL OVER COPPER ALLOY
□-RING:	FKM, RED
HOUSING:	PBT YELLOW
VOLTAGE RATING:	10-30V DC MAX
AMPERAGE RATING:	MODULE-6A MAX PORT-2A MAX
PROTECTION:	IP67
OPERATING TEMPERATURE:	-5°C TO 80°C

FUNCTION	COLOR
+ V	BROWN
- V	BLUE

PORT (CONTACT #)	COLOR
PORT 1(2)	GRAY/PINK
PORT 1(4)	WHITE
PORT 2(2)	RED/BLUE
PORT 2(4)	GREEN
PORT 3(2)	WHITE/GREEN
PORT 3(4)	YELLOW
PORT 4(2)	BROWN/GREEN
PORT 4(4)	GRAY
PORT 5(2)	WHITE/YELLOW
PORT 5(4)	PINK
PORT 6(2)	YELLOW/BROWN
PORT 6(4)	RED

INITIAL RELEASE EC NO: IPG2014-0871 DRWN: EBRACKEN 2013/07/10 CHKD: BARDEN APPR: BWOODMAN 2013/11/20	QUALITY SYMBOL	GENERAL TOLERANCES (UNLESS SPECIFIED)	DIMENSION STYLE	SCALE	DESIGN UNITS	THIRD ANGLE PROJECTION
	▽=0 ▽=0	mm INCH 4 PLACES ±--- ±--- 3 PLACES ±--- ±.005 2 PLACES ±0.13 ±.010 1 PLACE ±0.25 ±.020	IN/MM DRAWN BY DATE EBRACKEN 2013/06/18 CHECKED BY DATE BARDEN 2013/11/21 APPROVED BY DATE BWOODMAN 2013/11/20	NTS TITLE M8-MPIS 4 POLE-6 PORT TOP-5M SM CABLE BLACK PUR		
	A	DRAFT WHERE APPLICABLE MUST REMAIN WITHIN DIMENSIONS	MATERIAL NO. SEE CHART	DOCUMENT NO. SD-120054-004	SHEET NO. 1 OF 1	
	THIS DRAWING CONTAINS INFORMATION THAT IS PROPRIETARY TO MOLEX INCORPORATED AND SHOULD NOT BE USED WITHOUT WRITTEN PERMISSION					