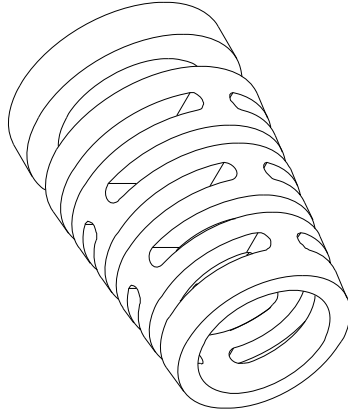
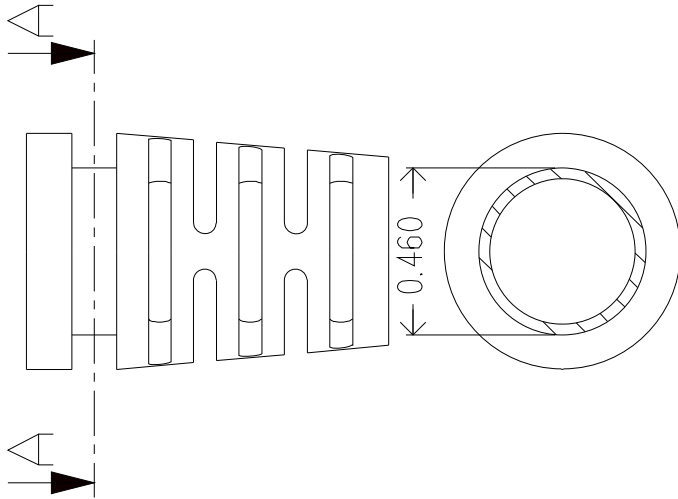
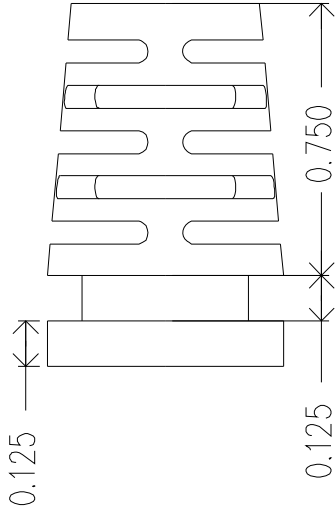
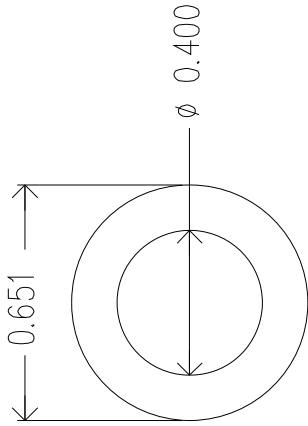


REVISIONS		DATE	APPROVED
ZONE	REV.		



Mold Material: ISC P/N: 5000214, PVC, M1472, Black, RoHS

A-A		ISC Engineering 4351 Schaefer Ave, Chino, CA 91710 Ph: 909-596-3315 Fax: 909-596-3335 www.iscengineering.com www.overmoldtooling.com	
Dimensions are subject to change. PROPRIETARY AND CONFIDENTIAL THE INFORMATION CONTAINED IN THIS DRAWING IS THE SOLE PROPERTY OF ISC ENGINEERING. ANY REPRODUCTION IN PART OR AS A WHOLE WITHOUT THE WRITTEN PERMISSION OF ISC ENGINEERING IS PROHIBITED.		DATE: 08/08/03	
DIMENSIONS ARE IN INCHES		NAME: R FIERRO	DATE: 08/08/03
TOLERANCES:		DRAWN:	
FRACTIONAL: ±		CHECKED:	
ANGULAR: MACH ±	BEND ±	ENG APPR:	
TWO PLACE DECIMAL ±	THREE PLACE DECIMAL ±	MFG APPR:	
MATERIAL: --		D.O.A.:	
FINISH: --		COMMENTS:	
NEXT ASSY USED ON			
APPLICATION	DO NOT SCALE DRAWING		
SCALE: 2:1		WEIGHT:	
SIZE DWG. NO. 1467112		REV.	
SHEET 1 OF 1			

