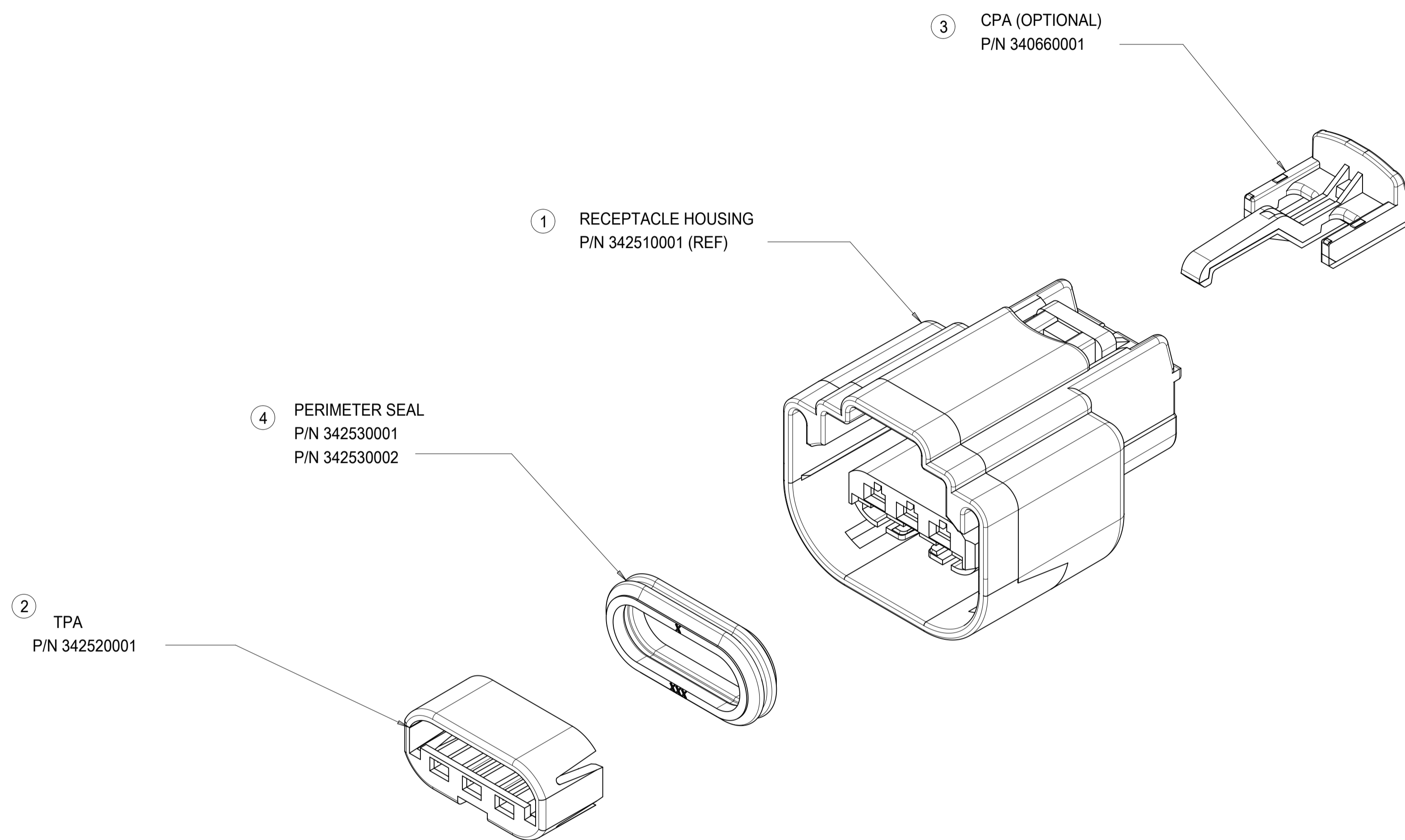


TABLE OF CONTENTS	
SHEET NO.	SHEET DESCRIPTION
1	NOTES
2	DUAL KEY CONFIGURATION
3	SINGLE KEY CONFIGURATION
4	VIEWS
5	BOM
6	TERMINAL AND CABLE SEAL



NOTES: VALID UNLESS OTHERWISE SPECIFIED

1. GENERAL:

- a. APPLICATION SPECIFICATION SEE: 1600730001-AS
 - CONTAINS: PRODUCT INTRODUCTION, PRODUCT SUMMARY, CONNECTOR ASSEMBLY, PACKAGING INFORMATION, CONNECTOR MATING, SERVICE INSTRUCTIONS, ELECTRICAL CONTINUITY CHECKING, CRIMPING, AND TROUBLESHOOTING.
 - DESIGNED TO MATE WITH DEVICE OR CONNECTOR AS SPECIFIED IN THE MATING INTERFACE/CONNECTOR DRAWINGS CHART.
 - *DENOTES DRAWINGS THAT CAN BE ACCESSED AT <http://ewcap.uscarteams.org/>.
 - ASSEMBLY SHIPPED WITH PLR IN PRE-LOCK POSITION (SEE PLR PRE-LOCK VIEW SHEET 4).

b. PRODUCT SPECIFICATION SEE: 1600730001-PS

c. PACKAGING SPECIFICATION PER MOLEX DRAWING: SEE PK-31300-068

d. PARTS MUST BE IN COMPLIANCE TO MOLEX CHEMICAL SUBSTANCES FOR PRODUCTS AND PACKAGING SPECIFICATION: QEHS-699000-301

e. DATA MUST BE SUBMITTED UNDER THE MOLEX PART NUMBER TO IMDS (COMPANY ID#13255)

2. DESIGN - MATERIALS:

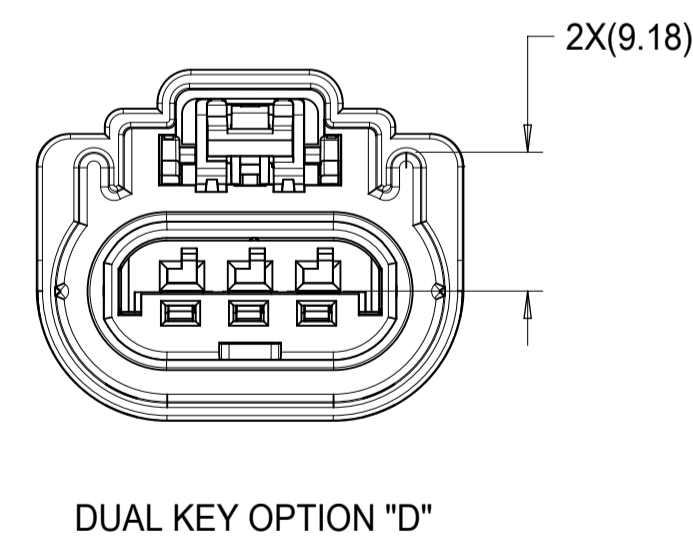
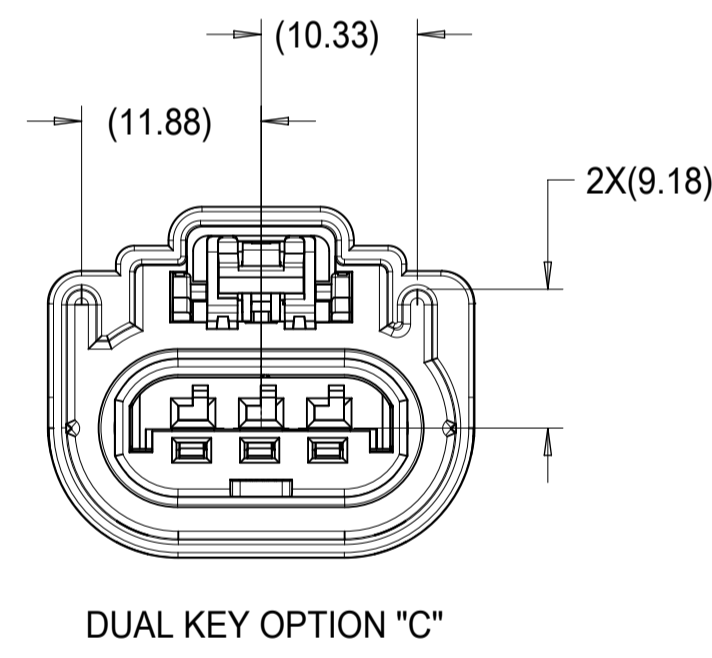
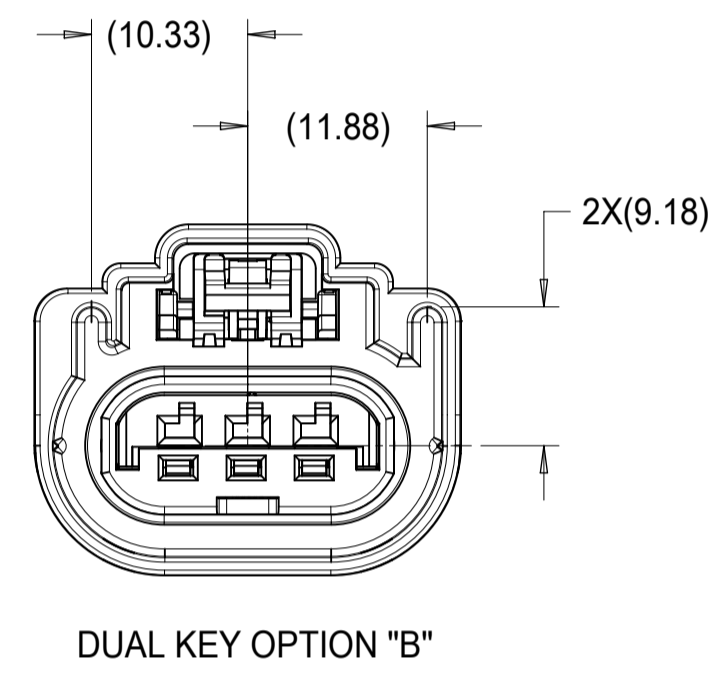
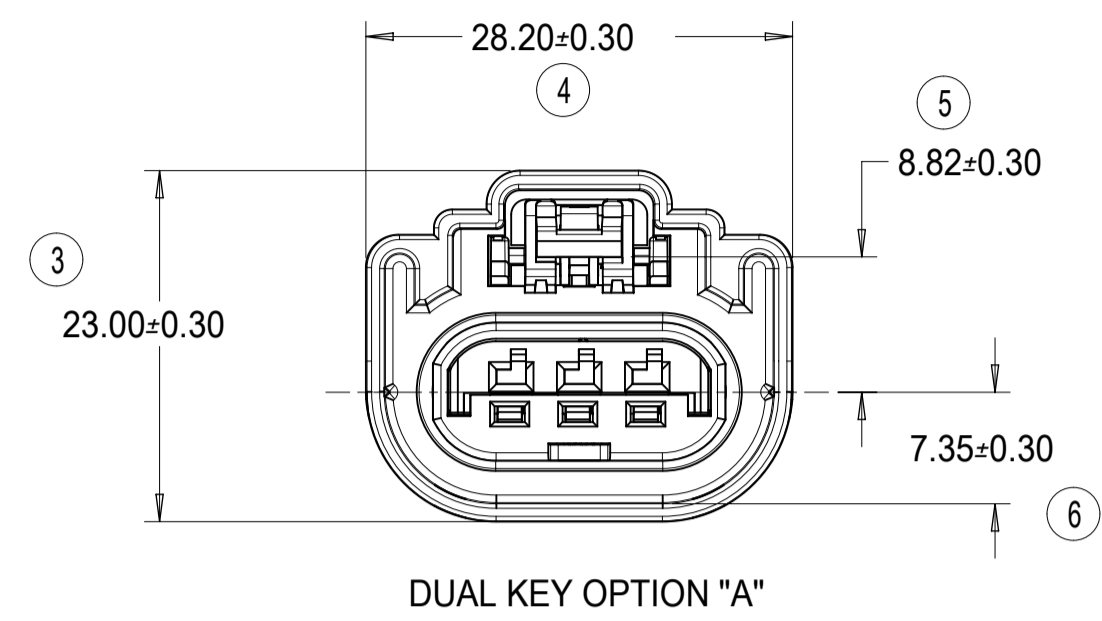
a. FOR BILL OF MATERIALS SEE: BOM IN SHEET 5

3. DESIGN - GEOMETRY:

- a. THE 3-D CAD DATA IS BASIC (WITHOUT TOLERANCE) AND MASTER FOR THIS PART WITH THE EXCEPTION OF UNDERLINED DIMENSIONS. DIMENSIONAL INFORMATION NOT SHOWN ON THIS DRAWING IS DEFINED BY THE DATA FILE AT ITS LATEST REVISION.
 - b. GEOMETRIC DIMENSIONS AND TOLERANCES PER ASME Y14.5M-2009
 - c. EDGES AND UNDIMENSIONED DETAILS PER ISO13715
 - d. CORNERS SHOWN AS SHARP TO BE R 0.2 MAX.
 - e. LETTERING SHALL BE 0.15 MAX RAISED IN 0.25 MAX RECESS PAD. THIS INCLUDES RECYCLING CODE, CAVITY ID, VENDOR IDENTIFICATION, AND CUSTOMER MATERIAL NUMBER.
 - f. VISUAL DEFECTS SHALL MEET COSMETIC STANDARD PS-45499-002 (Class B).
 - g. LASER MARKING:
 - 1. PART NUMBER
 - 2. DAY OF THE YEAR
 - 3. SHIFT
 - 4. YEAR
- FOR ADDITIONAL INFORMATION SEE SECTION 5 UNDER PROCEDURES IN ES-34735-008.

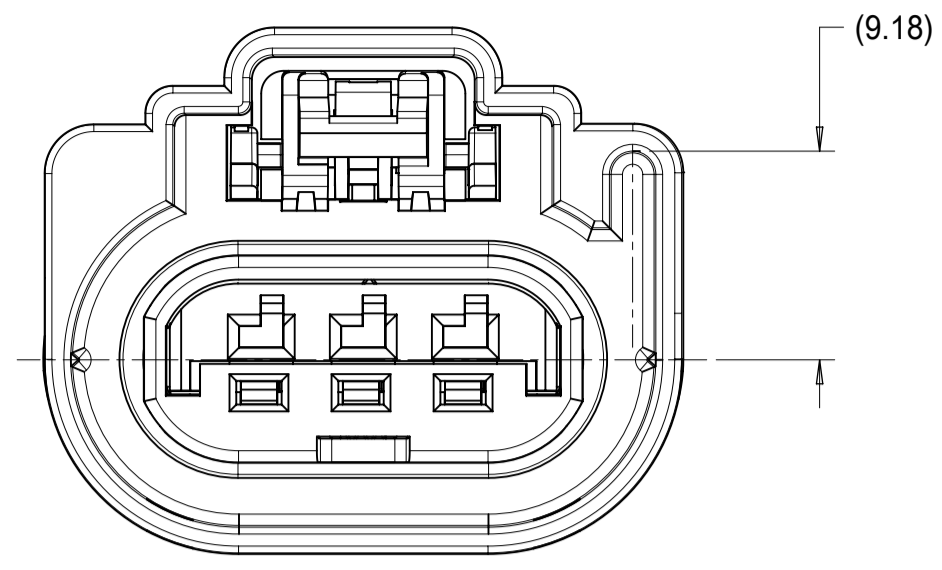
SYMBOLS	THIS DRAWING CONTAINS INFORMATION THAT IS PROPRIETARY TO MOLEX ELECTRONIC TECHNOLOGIES, LLC AND SHOULD NOT BE USED WITHOUT WRITTEN PERMISSION		CURRENT REV DESC:		molex				
	DIMENSION UNITS	SCALE	EC NO: 171123 DRWN: PXU25 2017/12/26 CHK'D: KBORUSZEWSKI 2018/01/26 APPR: MVANSLAMBROU 2018/02/02 INITIAL REVISION: DRWN: CYMA 2016/07/20 APPR: KDEKOSKI 2017/02/08		RECEPTACLE ASSEMBLY 3-WAY USCAR CONNECTOR 1.5MM CABLE SEAL				
	mm	2:1			PRODUCT CUSTOMER DRAWING				
	GENERAL TOLERANCES (UNLESS SPECIFIED)				DOCUMENT NUMBER		DOC TYPE	DOC PART	REVISION
	ANGULAR TOL ± 3.0°				SD-160073-001		PSD	001	R
	4 PLACES	±	MATERIAL NUMBER		CUSTOMER		SHEET NUMBER		
	3 PLACES	±	A1-SIZE		GENERAL MARKET		1 OF 6		
	2 PLACES	± 0.1	DRAWING		SERIES				
	1 PLACE	± 0.3	160073						
	0 PLACES	±							
	DRAFT WHERE APPLICABLE MUST REMAIN WITHIN DIMENSIONS		THIRD ANGLE PROJECTION						

DUAL KEY CONFIGURATION

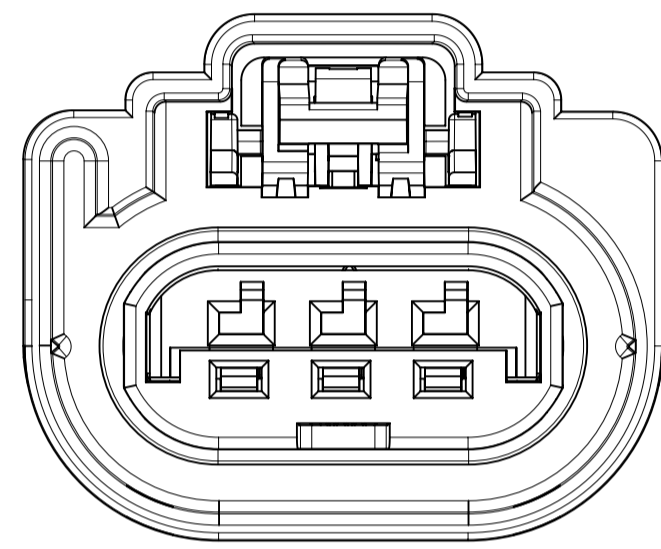


SYMBOLS	THIS DRAWING CONTAINS INFORMATION THAT IS PROPRIETARY TO MOLEX ELECTRONIC TECHNOLOGIES, LLC AND SHOULD NOT BE USED WITHOUT WRITTEN PERMISSION		
	DIMENSION UNITS	SCALE	CURRENT REV DESC:
= 0	mm	3:1	EC NO: 171123 DRWN: PXU25 2017/12/26 CHK'D: KBORUSZEWSKI 2018/01/26 APPR: MVANSLAMBROU 2018/02/02
= 0	GENERAL TOLERANCES (UNLESS SPECIFIED)		
= 0	ANGULAR TOL ± 3.0°		
= 0	4 PLACES ±		
= 0	3 PLACES ±		INITIAL REVISION: DRWN: CYMA 2016/07/20 APPR: KDEKOSKI 2017/02/08
= 0	2 PLACES ± 0.1		
= 0	1 PLACE ± 0.3		DOCUMENT NUMBER SD-160073-001
= 0	0 PLACES ±		
= 0	DRAFT WHERE APPLICABLE MUST REMAIN WITHIN DIMENSIONS	THIRD ANGLE PROJECTION	MATERIAL NUMBER
		DRAWING	CUSTOMER
		A1-SIZE	GENERAL MARKET
		SERIES	SHEET NUMBER
		160073	2 OF 6

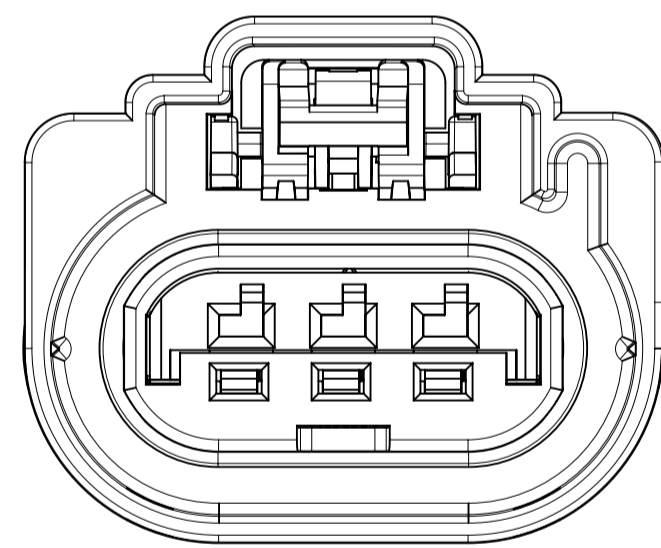
SINGLE KEY CONFIGURATION



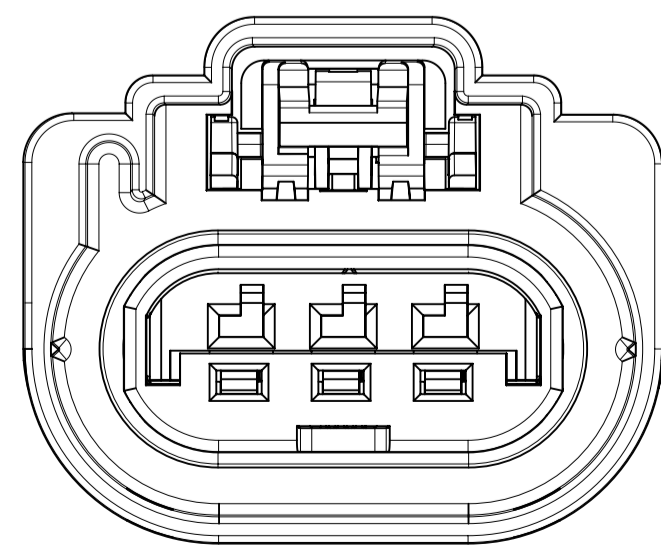
SINGLE KEY OPTION "A"



SINGLE KEY OPTION "B"



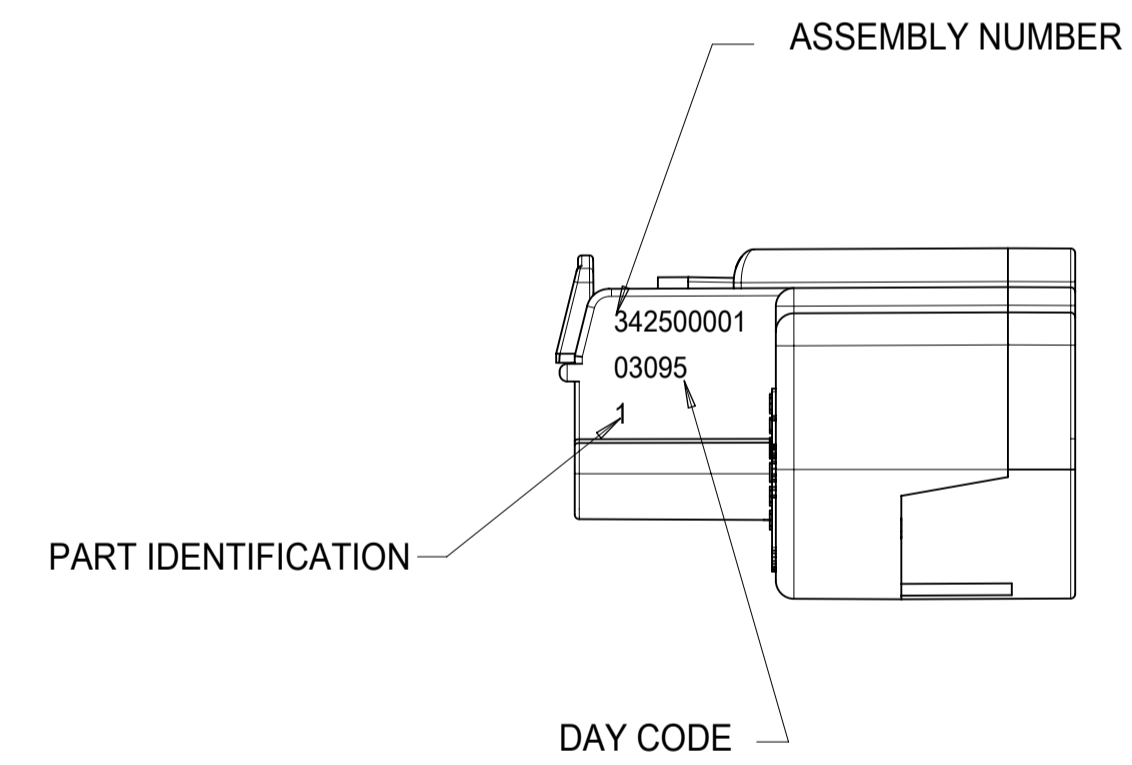
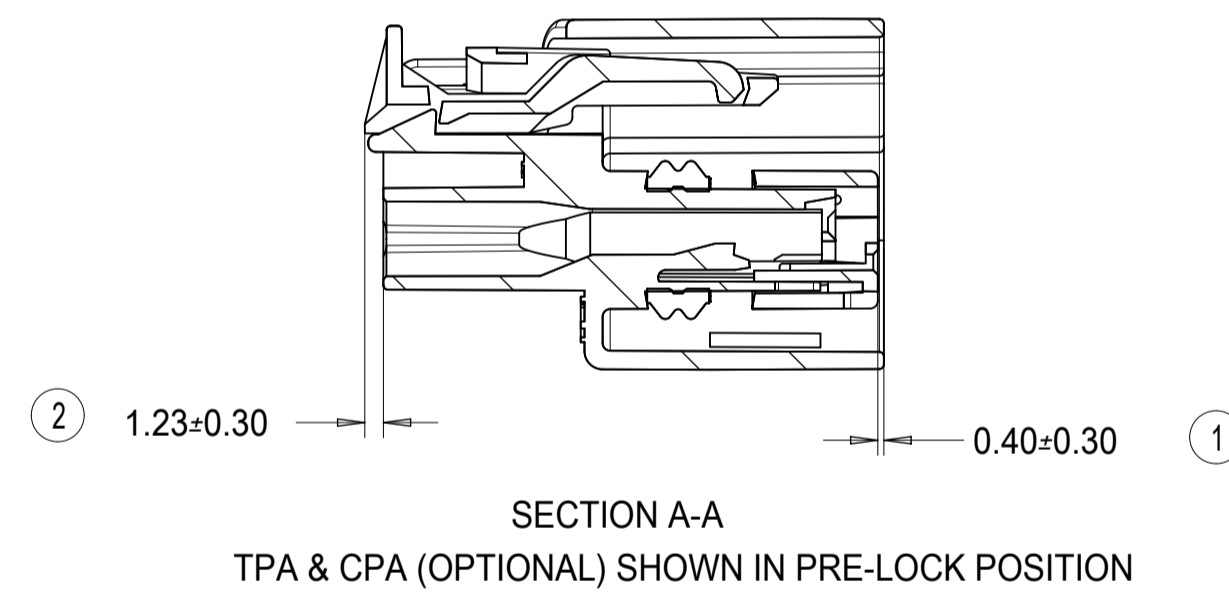
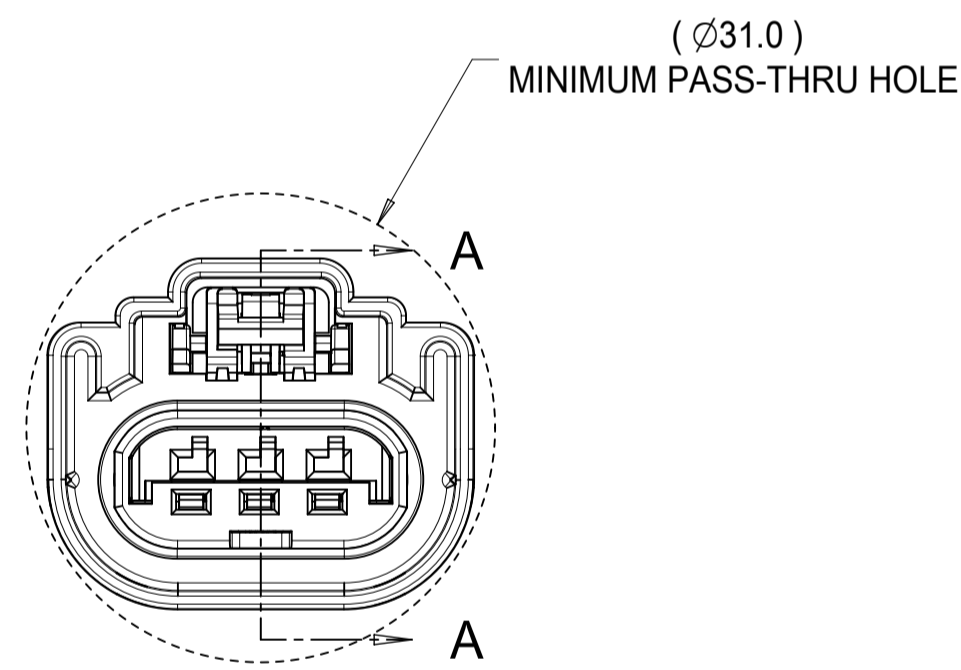
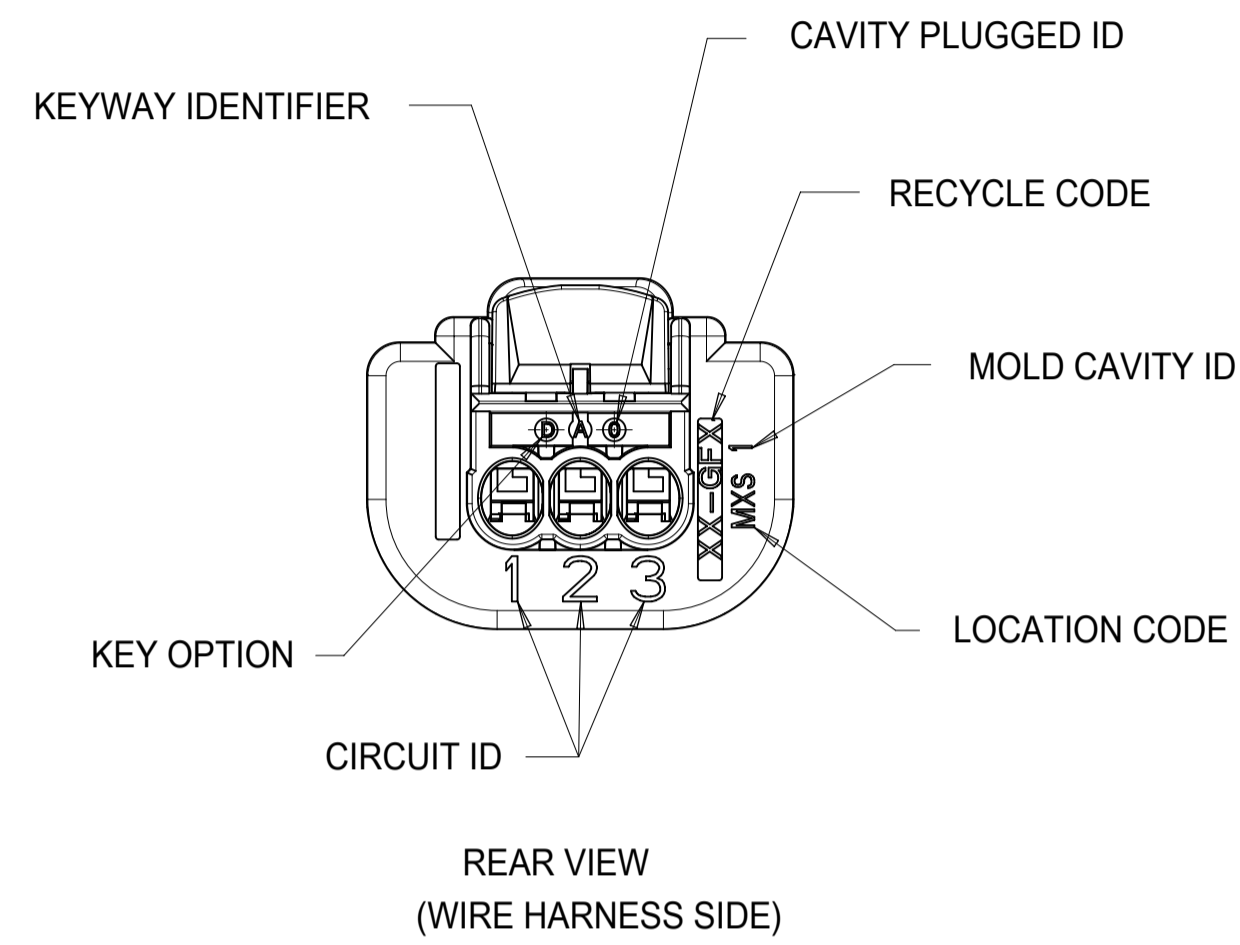
SINGLE KEY OPTION "C"



SINGLE KEY OPTION "D"

SYMBOLS = 0 = 0 = 0 = 0 = 0 = 0 = 0 = 0 = 0	THIS DRAWING CONTAINS INFORMATION THAT IS PROPRIETARY TO MOLEX ELECTRONIC TECHNOLOGIES, LLC AND SHOULD NOT BE USED WITHOUT WRITTEN PERMISSION DIMENSION UNITS: mm SCALE: 3:1	CURRENT REV DESC: EC NO: 171123 DRWN: PXU25 2017/12/26 CHK'D: KBORUSZEWSKI 2018/01/26 APPR: MVANSLAMBROU 2018/02/02			
	GENERAL TOLERANCES (UNLESS SPECIFIED) ANGULAR TOL ± 3.0° 4 PLACES ± 3 PLACES ± 2 PLACES ± 0.1 1 PLACE ± 0.3 0 PLACES ±	INITIAL REVISION: DRWN: CYMA 2016/07/20 APPR: KDEKOSKI 2017/02/08	RECEPTACLE ASSEMBLY 3-WAY USCAR CONNECTOR 1.5MM CABLE SEAL PRODUCT CUSTOMER DRAWING		
DRAFT WHERE APPLICABLE MUST REMAIN WITHIN DIMENSIONS	THIRD ANGLE PROJECTION	DRAWING: A1-SIZE SERIES: 160073	DOCUMENT NUMBER: SD-160073-001 DOC TYPE: PSD DOC PART: 001 REVISION: R	MATERIAL NUMBER CUSTOMER: GENERAL MARKET SHEET NUMBER: 3 OF 6	

VIEWS



SYMBOLS	THIS DRAWING CONTAINS INFORMATION THAT IS PROPRIETARY TO MOLEX ELECTRONIC TECHNOLOGIES, LLC AND SHOULD NOT BE USED WITHOUT WRITTEN PERMISSION		CURRENT REV DESC:				
	DIMENSION UNITS	SCALE					
▽ = 0	mm	2:1	GENERAL TOLERANCES (UNLESS SPECIFIED)		CHK'D: KBORUSZEWSKI	2018/01/26	3-WAY USCAR CONNECTOR 1.5MM CABLE SEAL
▽ = 0	ANGULAR TOL ± 3.0°		4 PLACES ±		APPR: MVANSLAMBROU	2018/02/02	PRODUCT CUSTOMER DRAWING
▽ = 0	3 PLACES ±		2 PLACES ± 0.1		INITIAL REVISION:		DOCUMENT NUMBER
▽ = 0	2 PLACES ± 0.3		1 PLACE ± 0.3		DRWN: CYMA	2016/07/20	SD-160073-001
▽ = 0	0 PLACES ±		0 PLACES ±		APPR: KDEKOSKI	2017/02/08	PSD 001 R
▽ = 0	DRAFT WHERE APPLICABLE MUST REMAIN WITHIN DIMENSIONS		THIRD ANGLE PROJECTION	DRAWING	SERIES	MATERIAL NUMBER	CUSTOMER
▽ = 0				A1-SIZE	160073	GENERAL MARKET	SHEET NUMBER
						4 OF 6	

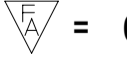
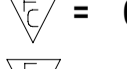

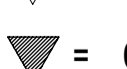
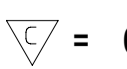
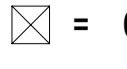
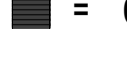
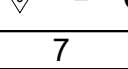
ASSEMBLY DESCRIPTION	ASSEMBLY P/N	HOUSING KEY/COLOR	BLOCKED TERMINALS			MATES W/ USCAR DUAL KEY	MATES W/ USCAR SINGLE KEY	STATUS	COMMENTS
			1	2	3				
KEY A, BLACK, W/O CPA	1600733101	A-BLACK				150-S-003-1-A01	N/A	SALEABLE	N/A
KEY B, LT GREY, W/O CPA	1600733102	B-LT GREY				150-S-003-1-B01	N/A	SALEABLE	N/A
KEY C, DK GREY, W/O CPA	1600733103	C-DK GREY				150-S-003-1-C01	N/A	SALEABLE	N/A
KEY D, ST GREY, W/O CPA	1600733104	D-ST GREY				150-S-003-1-D01	N/A	SALEABLE	N/A
KEY A, BLACK, W/ CPA	1600733105	A-BLACK				150-S-003-1-A01	N/A	SALEABLE	N/A
KEY B, LT GREY, W/ CPA	1600733106	B-LT GREY				150-S-003-1-B01	N/A	SALEABLE	N/A
KEY C, DK GREY, W/ CPA	1600733107	C-DK GREY				150-S-003-1-C01	N/A	SALEABLE	N/A
KEY D, ST GREY, W/ CPA	1600733108	D-ST GREY				150-S-003-1-D01	N/A	SALEABLE	N/A
KEY A, BLACK, W/O CPA	1600733109	A-BLACK				N/A	150-S-003-1-A02	SALEABLE	N/A
KEY B, LT GREY, W/O CPA	1600733110	B-LT GREY				N/A	150-S-003-1-B02	SALEABLE	N/A
KEY C, DK GREY, W/O CPA	1600733111	C-DK GREY				N/A	150-S-003-1-C02	SALEABLE	N/A
KEY D, ST GREY, W/O CPA	1600733112	D-ST GREY				N/A	150-S-003-1-D02	SALEABLE	N/A
KEY A, BLACK, W/ CPA	1600733113	A-BLACK				N/A	150-S-003-1-A02	SALEABLE	N/A
KEY B, LT GREY, W/ CPA	1600733114	B-LT GREY				N/A	150-S-003-1-B02	SALEABLE	N/A
KEY C, DK GREY, W/ CPA	1600733115	C-DK GREY				N/A	150-S-003-1-C02	SALEABLE	N/A
KEY D, ST GREY, W/ CPA	1600733116	D-ST GREY				N/A	150-S-003-1-D02	SALEABLE	N/A
KEY B, BLACK, W/O CPA	1600733117	B-BLACK				150-S-003-1-B01	N/A	SALEABLE	N/A
KEY D, BLACK, W/O CPA	1600733118	D-BLACK				N/A	150-S-003-1-D02	SALEABLE	N/A
KEY B, BLACK, W/ CPA	1600733119	B-BLACK				150-S-003-1-B01	N/A	SALEABLE	N/A

ASSEMBLY MATERIALS			
ITEM	DESCRIPTION	COLOR	RECYCLE CODE
1	RECEPTACLE HOUSING	SEE CHART	PA6 GF40 (FOR 160073 SERIES)
2	TPA	NATURAL	PBT-GF30
3	CPA	RED	PBT-GF30
4	PERIMETER SEAL	BLUE	SILICON 50 DUROMETER

SYMBOLS = 0 = 0 = 0 = 0 = 0 = 0 = 0 = 0 = 0 = 0	THIS DRAWING CONTAINS INFORMATION THAT IS PROPRIETARY TO MOLEX ELECTRONIC TECHNOLOGIES, LLC AND SHOULD NOT BE USED WITHOUT WRITTEN PERMISSION		CURRENT REV DESC:		 RECEPTACLE ASSEMBLY 3-WAY USCAR CONNECTOR 1.5MM CABLE SEAL PRODUCT CUSTOMER DRAWING	
	DIMENSION UNITS	SCALE	EC NO: 171123			DOCUMENT NUMBER
	mm	1:1	DRWN: PXU25 2017/12/26			DOC TYPE DOC PART REVISION
	GENERAL TOLERANCES (UNLESS SPECIFIED)		CHK'D: KBORUSZEWSKI 2018/01/26		SD-160073-001	
	ANGULAR TOL ± 3.0°		APPR: MVANSLAMBROU 2018/02/02			
	4 PLACES ±		INITIAL REVISION:		GENERAL MARKET	
	3 PLACES ±		DRWN: CYMA 2016/07/20			
	2 PLACES ± 0.1		APPR: KDEKOSKI 2017/02/08		SHEET NUMBER 5 OF 6	
	1 PLACE ± 0.3		MATERIAL NUMBER			
	0 PLACES ±		THIRD ANGLE PROJECTION		CUSTOMER	
DRAFT WHERE APPLICABLE MUST REMAIN WITHIN DIMENSIONS		DRAWING		A1-SIZE		
		SERIES		160073		

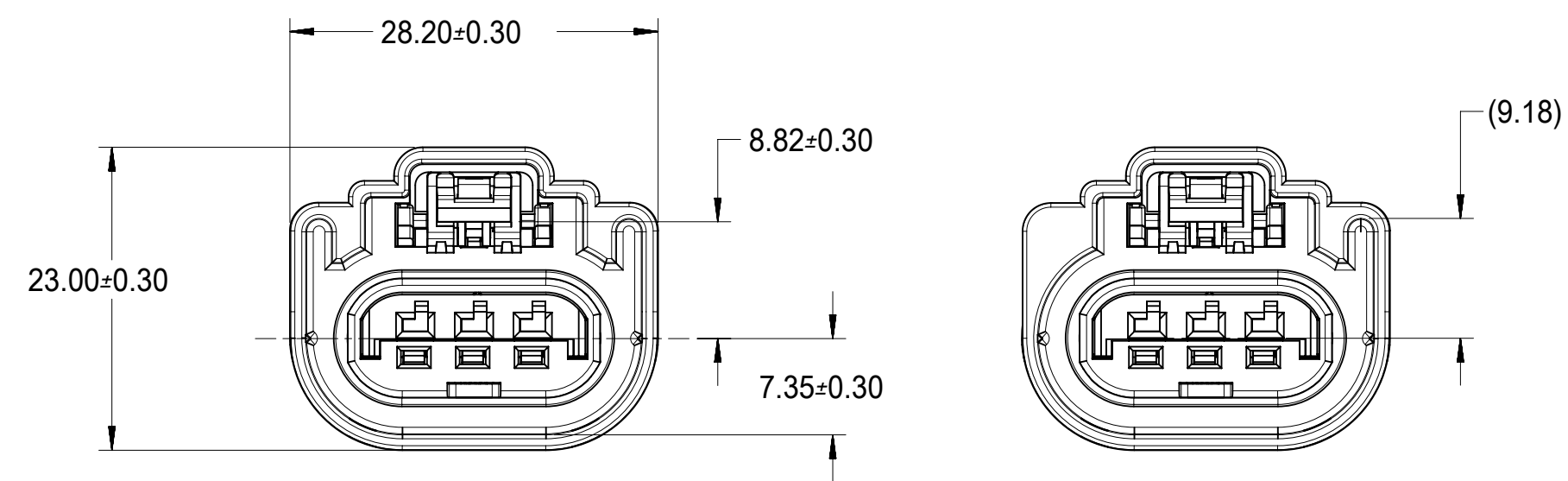
TERMINAL AND CABLE SEAL

22	34083-2003	RIGHT	TIN	22	E-1644-01	1.19-1.65	PINK	
22	34083-3003	LEFT	TIN	22				
22	34081-2005	RIGHT	GOLD	22				
22	34081-3005	LEFT	GOLD	22	E-1644-00	1.60-2.10	GREEN	
20	34083-2002	RIGHT	TIN	18/20				
20	34083-3002	LEFT	TIN	18/20				
20	34081-2004	RIGHT	GOLD	18/20				
20	34081-3004	LEFT	GOLD	18/20				
18	34083-2002	RIGHT	TIN	18/20				
18	34083-3002	LEFT	TIN	18/20	E-1644-02	2.10-2.50	YELLOW	
18	34081-2004	RIGHT	GOLD	18/20				
18	34081-3004	LEFT	GOLD	18/20				
16	34083-2001	RIGHT	TIN	16	E-1644-02	2.10-2.50	YELLOW	
16	34083-3001	LEFT	TIN	16				
16	34081-2003	RIGHT	GOLD	16				
16	34081-3003	LEFT	GOLD	16	QSR P/N	WIRE OD RANGE	COLOR	
AWG	PART NUMBER	PAYOFF DIRECTION	PLATING	GRIP				CABLE SEAL (QSR)
WIRE SIZE								
TERMINAL *PREFERRED* (SEE NOTE 5 FOR OPTIONAL TERMINALS)								

SYMBOLS	THIS DRAWING CONTAINS INFORMATION THAT IS PROPRIETARY TO MOLEX ELECTRONIC TECHNOLOGIES, LLC AND SHOULD NOT BE USED WITHOUT WRITTEN PERMISSION		CURRENT REV DESC:		molex			
 = 0	DIMENSION UNITS	SCALE	EC NO: 171123 DRWN: PXU25 2017/12/26 CHK'D: KBORUSZEWSKI 2018/01/26 APPR: MVANSLAMBROU 2018/02/02		RECEPTACLE ASSEMBLY 3-WAY USCAR CONNECTOR 1.5MM CABLE SEAL			
 = 0	mm	1:1						
 = 0	GENERAL TOLERANCES (UNLESS SPECIFIED)				PRODUCT CUSTOMER DRAWING			
 = 0	ANGULAR TOL	± 3.0°						
 = 0	4 PLACES	±	INITIAL REVISION: DRWN: CYMA 2016/07/20 APPR: KDEKOSKI 2017/02/08		DOCUMENT NUMBER	DOC TYPE	DOC PART	REVISION
 = 0	3 PLACES	±			SD-160073-001	PSD	001	R
 = 0	2 PLACES	± 0.1	DRAFT WHERE APPLICABLE MUST REMAIN WITHIN DIMENSIONS		MATERIAL NUMBER	CUSTOMER	SHEET NUMBER	
 = 0	1 PLACE	± 0.3			THIRD ANGLE PROJECTION	DRAWING	SERIES	A1-SIZE 160073
= 0	0 PLACES	±						

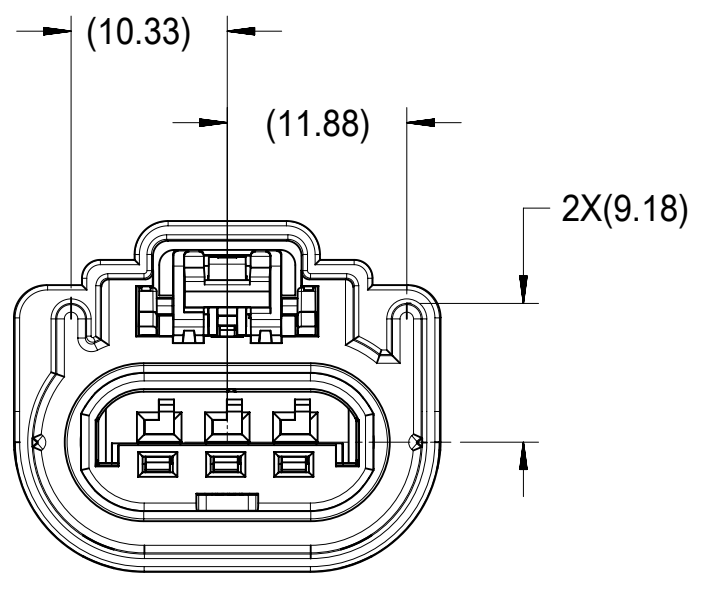
AWG	PART NUMBER	PAYOFF DIRECTION	PLATING	GRIP	QSR P/N	WIRE OD RANGE	COLOR
22	34083-2003	RIGHT	TIN	22	E-1644-01	1.19-1.65	PINK
22	34083-3003	LEFT	TIN	22			
22	34081-2005	RIGHT	GOLD	22			
22	34081-3005	LEFT	GOLD	22			
20	34083-2002	RIGHT	TIN	18/20			
20	34083-3002	LEFT	TIN	18/20			
20	34081-2004	RIGHT	GOLD	18/20			
20	34081-3004	LEFT	GOLD	18/20	E-1644-00	1.60-2.10	GREEN
18	34083-2002	RIGHT	TIN	18/20			
18	34083-3002	LEFT	TIN	18/20			
18	34081-2004	RIGHT	GOLD	18/20			
18	34081-3004	LEFT	GOLD	18/20			
16	34083-2001	RIGHT	TIN	16			
16	34083-3001	LEFT	TIN	16	E-1644-02	2.10-2.50	YELLOW
16	34081-2003	RIGHT	GOLD	16			
16	34081-3003	LEFT	GOLD	16			
WIRE SIZE							CABLE SEAL (QSR)

TERMINAL "PREFERRED" (SEE NOTE 5 FOR OPTIONAL TERMINALS)



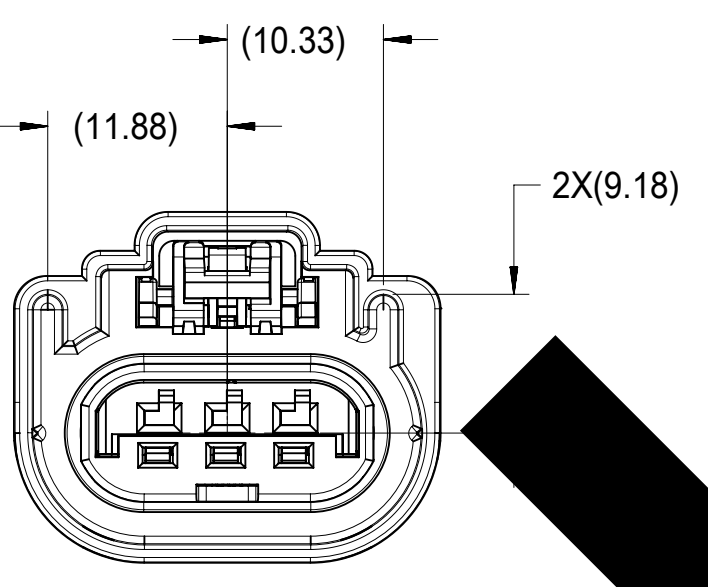
DUAL KEY OPTION "A"

SINGLE KEY OPTION "A"



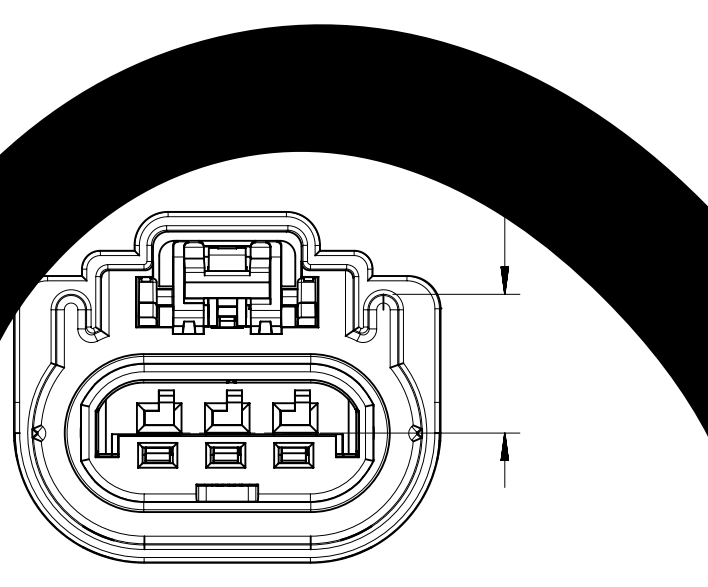
DUAL KEY OPTION "B"

SINGLE KEY OPTION "B"



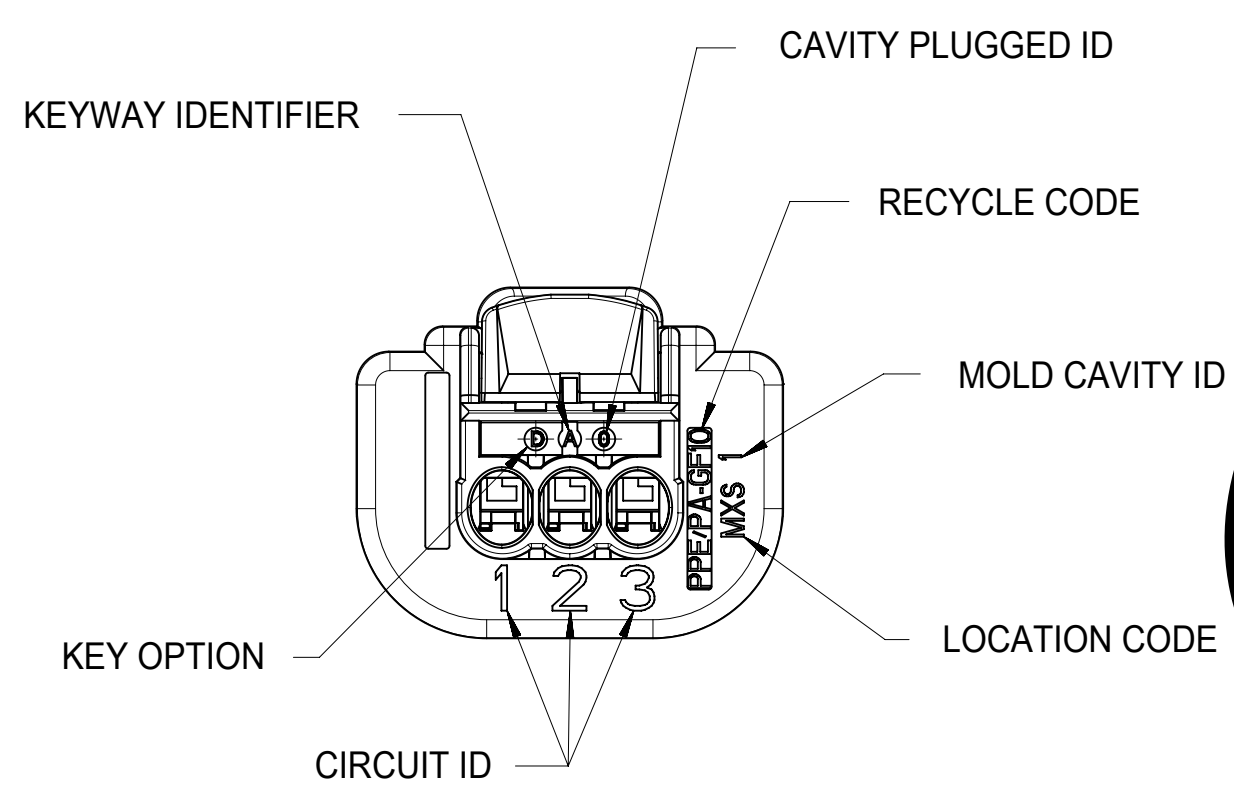
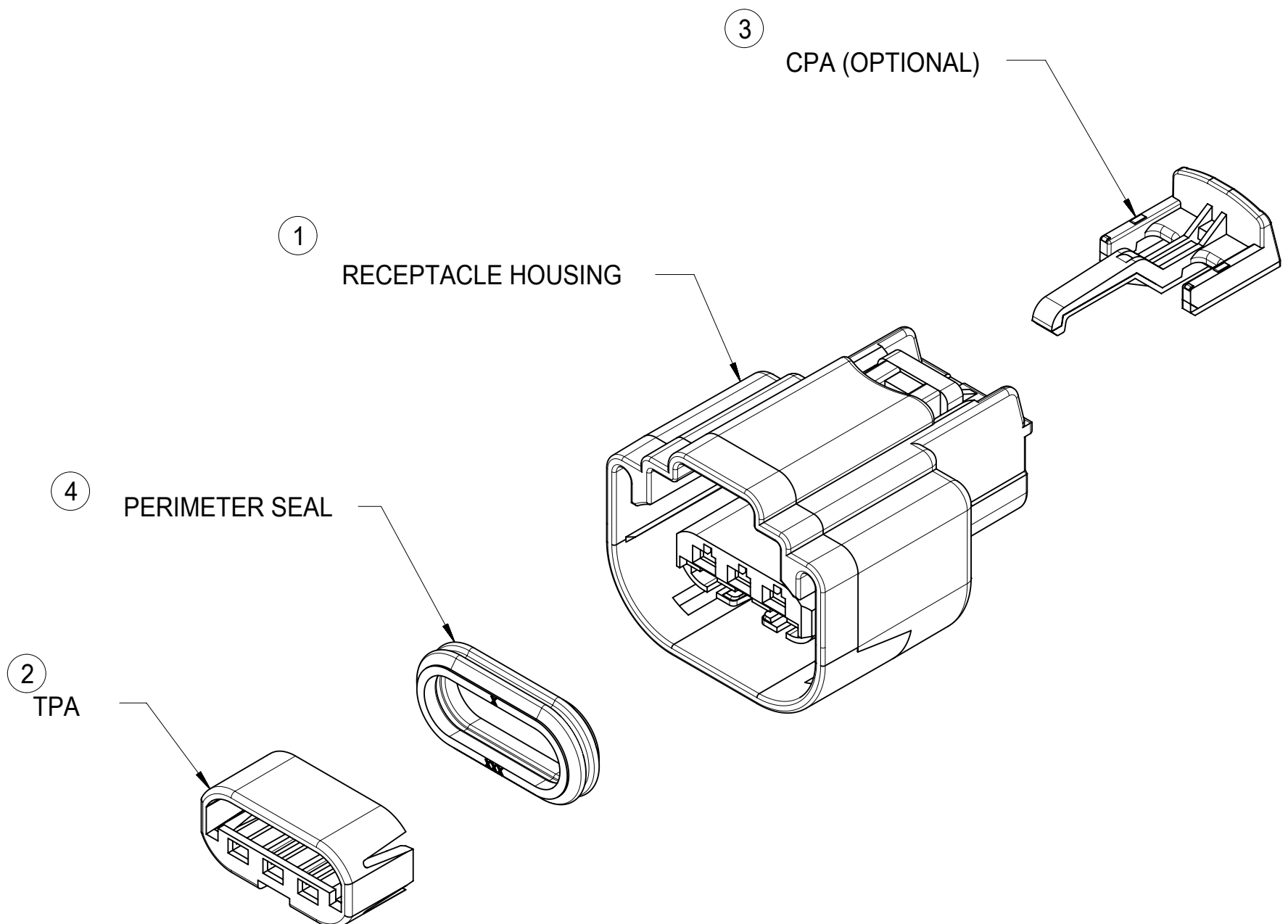
DUAL KEY OPTION "C"

SINGLE KEY OPTION "C"

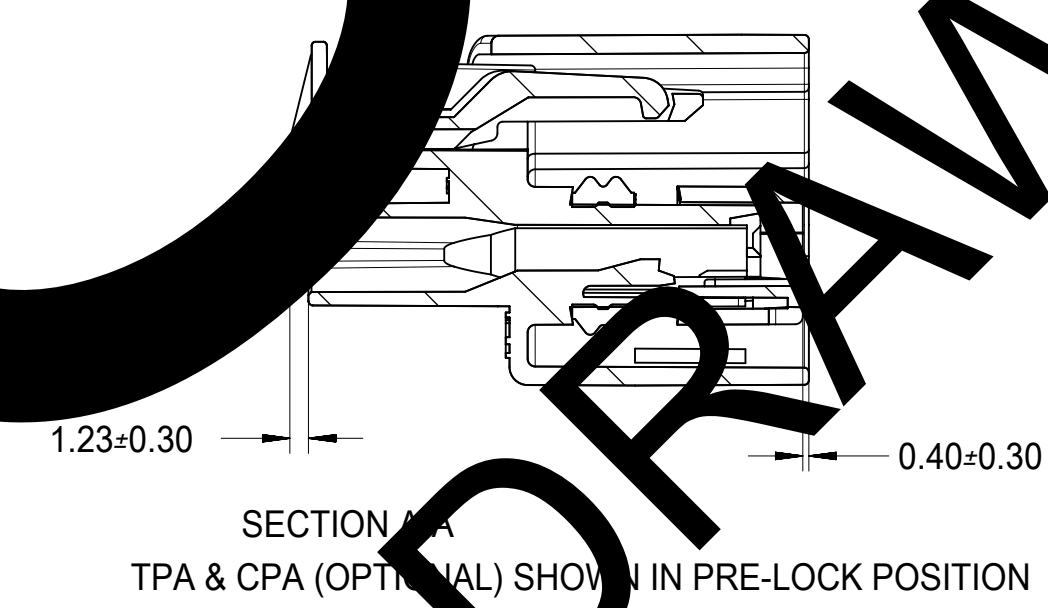


DUAL KEY OPTION "D"

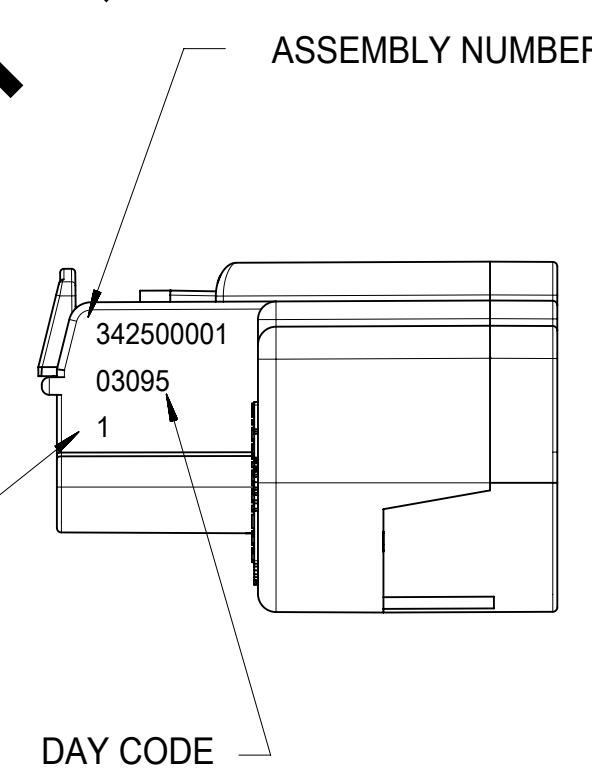
SINGLE KEY OPTION "D"



REAR VIEW (WIRE HARNESS SIDE)



SECTION A-A TPA & CPA (OPTIONAL) SHOWN IN PRE-LOCK POSITION



PART IDENTIFICATION DAY CODE

QSR P/N	WIRE OD RANGE	COLOR	CPA	MATES W/ USCAR DUAL KEY	MATES W/ USCAR SINGLE KEY	STATUS
1600733119	B	BLACK	YES	150-S-003-1-B01	N/A	SALEABLE
1600733118	D	BLACK	NONE	N/A	150-S-003-1-D02	SALEABLE
1600733117	B	BLACK	NONE	150-S-003-1-B01	N/A	SALEABLE
1600733116	D	BLACK	NONE	N/A	150-S-003-1-D02	SALEABLE
1600733115	C	BROWN	YES	N/A	150-S-003-1-C02	SALEABLE
1600733114	B	BLACK	YES	N/A	150-S-003-1-B02	SALEABLE
1600733113	D	BLACK	YES	N/A	150-S-003-1-D02	SALEABLE
1600733112	C	BROWN	YES	N/A	150-S-003-1-C02	SALEABLE
1600733111	B	BLACK	YES	N/A	150-S-003-1-B02	SALEABLE
1600733110	D	BLACK	YES	N/A	150-S-003-1-D02	SALEABLE
1600733109	C	BROWN	YES	N/A	150-S-003-1-C02	SALEABLE
1600733108	B	BLACK	YES	N/A	150-S-003-1-B02	SALEABLE
1600733107	D	BLACK	YES	N/A	150-S-003-1-D02	SALEABLE
1600733106	C	BROWN	YES	N/A	150-S-003-1-C02	SALEABLE
1600733105	B	BLACK	YES	N/A	150-S-003-1-B02	SALEABLE
1600733104	D	BLACK	YES	N/A	150-S-003-1-D02	SALEABLE
1600733103	C	BROWN	YES	N/A	150-S-003-1-C02	SALEABLE
1600733102	B	BLACK	YES	N/A	150-S-003-1-B02	SALEABLE
1600733101	D	BLACK	YES	N/A	150-S-003-1-D02	SALEABLE
342503068	D	BLACK	NONE	N/A	150-S-003-1-D02	SALEABLE
342503052	D	BLACK	NONE	N/A	150-S-003-1-D02	SALEABLE
342503051	C	BROWN	NONE	N/A	150-S-003-1-C02	SALEABLE
342503018	B	BLACK	NONE	150-S-003-1-B01	N/A	DESIGN CONCEPT ONLY
342503017	A	BLACK	NONE	150-S-003-1-B01	N/A	DESIGN CONCEPT ONLY
342503066	B	BLACK	NONE	150-S-003-1-B01	N/A	DESIGN CONCEPT ONLY
342503071	C	BROWN	NONE	150-S-003-1-C01	N/A	DESIGN CONCEPT ONLY
342503037	D	BLACK	NONE	N/A	150-S-003-1-D02	SALEABLE
342503036	D	BLACK	NONE	N/A	150-S-003-1-D02	SALEABLE
342503035	C	BROWN	NONE	N/A	150-S-003-1-C02	SALEABLE
342503002	B	BLACK	YES	150-S-003-1-B01	N/A	SALEABLE
342503065	B	BLACK	YES	150-S-003-1-B01	N/A	SALEABLE
342503001	A	BLACK	YES	150-S-003-1-A01	N/A	SALEABLE
342500052	D	BLACK	YES	150-S-003-1-D01	N/A	SALEABLE
342500051	C	BROWN	YES	150-S-003-1-C01	N/A	SALEABLE
342500050	B	BLACK	YES	150-S-003-1-B01	N/A	SALEABLE
342500049	A	BLACK	YES	150-S-003-1-A01	N/A	SALEABLE
342500048	D	BLACK	YES	150-S-003-1-D01	N/A	SALEABLE
342500047	C	BROWN	YES	150-S-003-1-C01	N/A	SALEABLE
342500034	B	BLACK	YES	150-S-003-1-B01	N/A	SALEABLE
342500033	A	BLACK	YES	150-S-003-1-A01	N/A	SALEABLE
342500020	D	BLACK	YES	150-S-003-1-D01	N/A	SALEABLE
342500019	C	BROWN	YES	150-S-003-1-C01	N/A	SALEABLE
342500018	B	BLACK	YES	150-S-003-1-B01	N/A	SALEABLE
342500017	A	BLACK	YES	150-S-003-1-A01	N/A	SALEABLE
342500004	D	BLACK	YES	150-S-003-1-D01	N/A	SALEABLE
342500003	C	BROWN	YES	150-S-003-1-C01	N/A	SALEABLE
342500002	B	BLACK	YES	150-S-003-1-B01	N/A	SALEABLE
342500001	A	BLACK	YES	150-S-003-1-A01	N/A	SALEABLE
ASSEMBLY P/N	KEY OPTION	HSG COLOR	CPA	MATES W/ USCAR DUAL KEY	MATES W/ USCAR SINGLE KEY	STATUS

- UNLESS OTHERWISE SPECIFIED:
- PART CONFORMS TO SAE/USCAR-2 REV. 4 (05/04), EXCEPT AS FOLLOWS:
 - DESIGNED TO MATE WITH DEVICE CONNECTION AS SPECIFIED IN USCAR/EWCAP DRAWING NO 150-S-003-1-Z02. ALL OPTION A-D, REV A, DATED 10/19/99. ALSO WITH THE DEVICE CONNECTION AS SPECIFIED IN USCAR/EWCAP DRAWING NO 150-S-003-1-Z01. ALL OPTION A-D, REV D, DATED 10/15/02.
 - ASSEMBLY SHIPPED WITH TPA IN PRE-LOCK POSITION (SEE SECTION A-A PRE-LOCK). UPON FULL TERMINAL ASSEMBLY, TPA MUST BE SNAPPED INTO ITS FINAL LOCK POSITION AFTER TERMINALS ARE ASSEMBLED.
 - OPTIONAL CPA SHOWN IN ALL VIEWS. SEE TABLE FOR SPECIFIC ASSEMBLY OPTION AND NUMBER.
 - FOR PREFERRED TERMINALS SEE MOLEX DRAWING SD-34083-002 FOR OPTIONAL TERMINALS SEE MOLEX DRAWING SD-34083-001

QUALITY SYMBOLS	THIS DRAWING CONTAINS INFORMATION THAT IS PROPRIETARY TO MOLEX ELECTRONIC TECHNOLOGIES, LLC AND SHOULD NOT BE USED WITHOUT WRITTEN PERMISSION		DIMENSION UNITS	SCALE	molex®		
∇ = 0	2017/12/07	GENERAL TOLERANCES (UNLESS SPECIFIED)	mm	1:1	RECEPTACLE ASSEMBLY 3-WAY USCAR CONNECTOR 1.5MM CABLE SEAL		
∇ = 0	2018/01/25	ANGULAR TOL ± °	DRWN BY	DATE			
∇ = 0	2018/01/25	4 PLACES ±	CYMA	2016/05/24			
∇ = 0		3 PLACES ±	CHK'D BY	DATE			
∇ = 0		2 PLACES ±	CHKD BY	DATE	PRODUCT CUSTOMER DRAWING		
∇ = 0		1 PLACE ±	APPR BY	DATE	SERIES	MATERIAL NUMBER	CUSTOMER
∇ = 0		0 PLACES ±	KBORUSZEWSKI	2018/01/25	34250		GENERAL MARKET
∇ = 0		DRAFT WHERE APPLICABLE MUST REMAIN WITHIN DIMENSIONS	DRAWING SIZE	THIRD ANGLE PROJECTION	DOCUMENT NUMBER	DOC TYPE	DOC PART SHEET NUMBER
∇ = 0			E		SD-34250-002	PSD	000 1 OF 1

ITEM	DESCRIPTION	COLOR	MOLEX P/N	RECYCLE CODE
1	RECEPTACLE HOUSING	SEE CHART	SEE CHART	PPE/PA GF10 (FOR 34250 SERIES) PA6 GF40 (FOR 160073 SERIES)
2	TPA	NATURAL	342520001	PBT-GF30
3	CPA	RED	340660001	PBT-GF30
4	PERIMETER SEAL	BLUE	342530001	SILICON 50 DUROMETER
		BLUE	342530002	SILICON 50 DUROMETER

RELEASE STATUS	RELEASE DATE