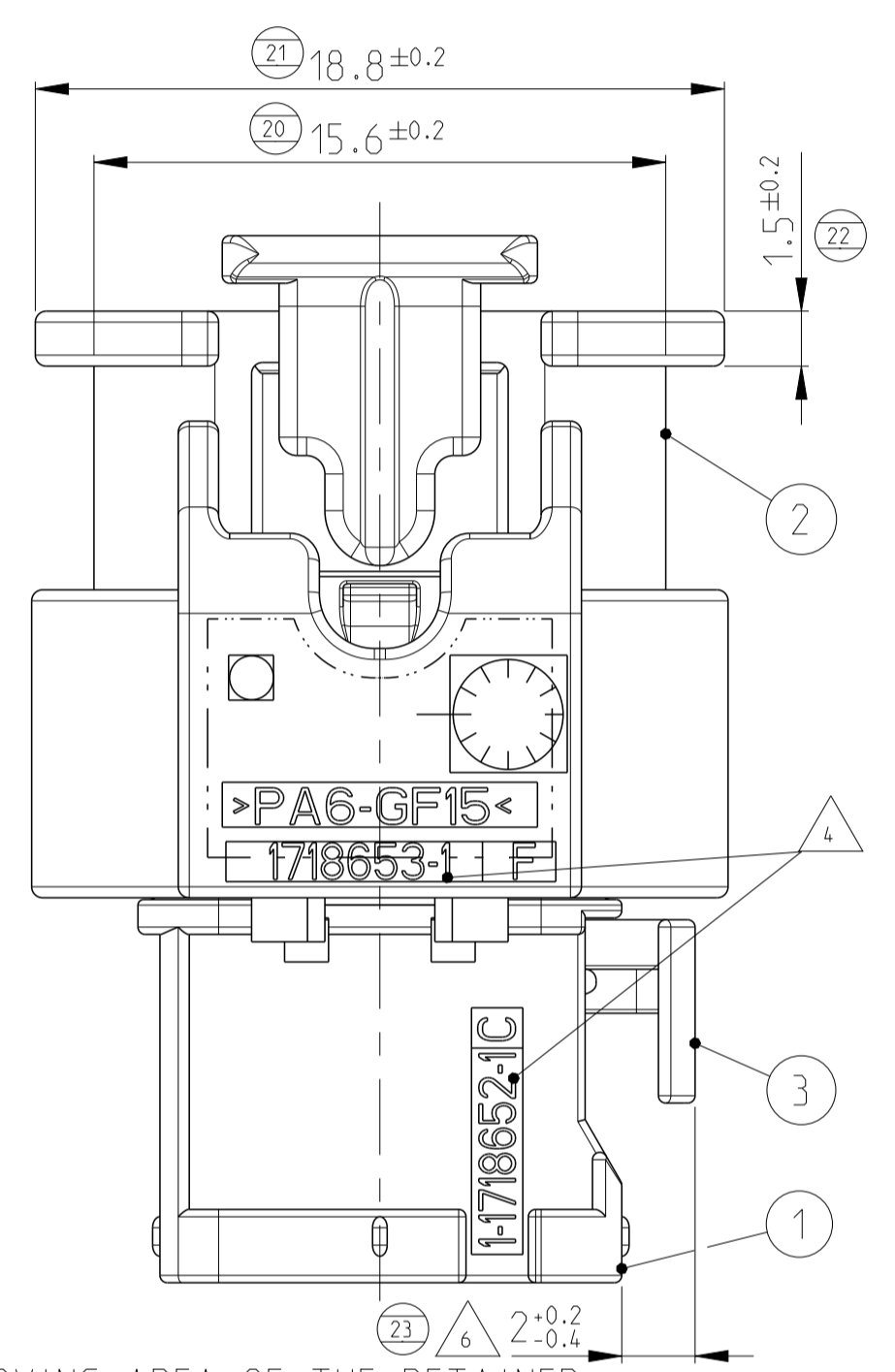
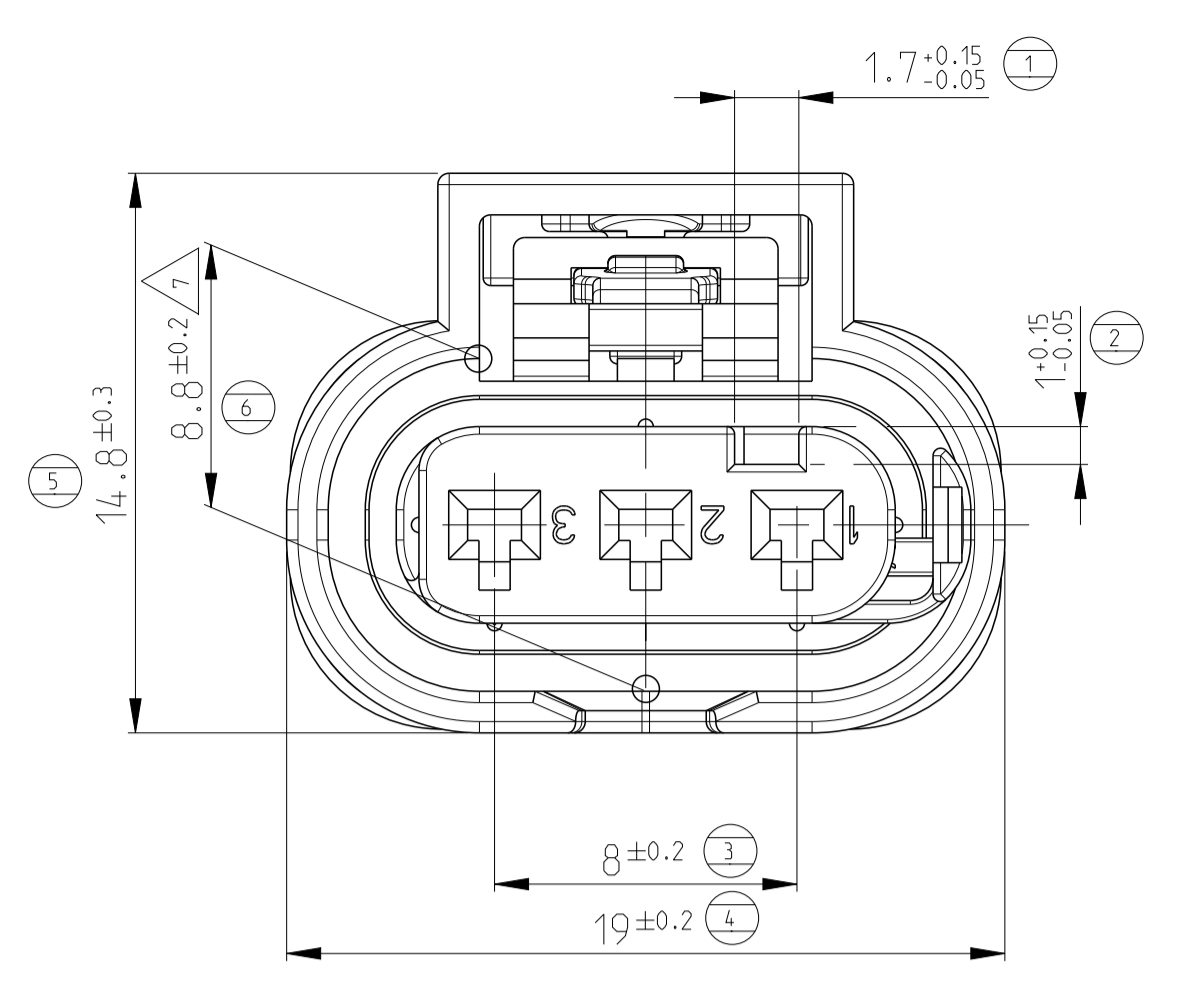
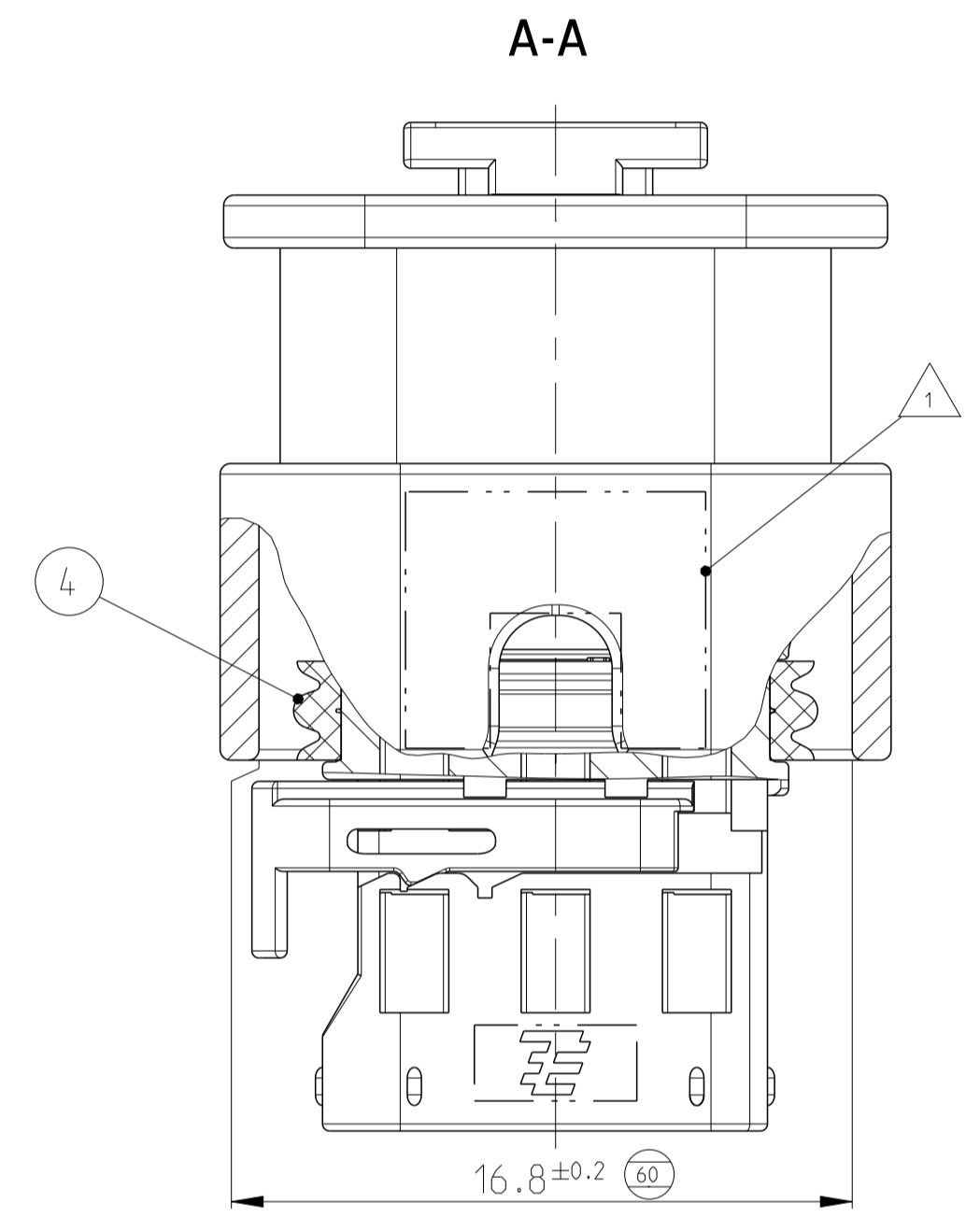
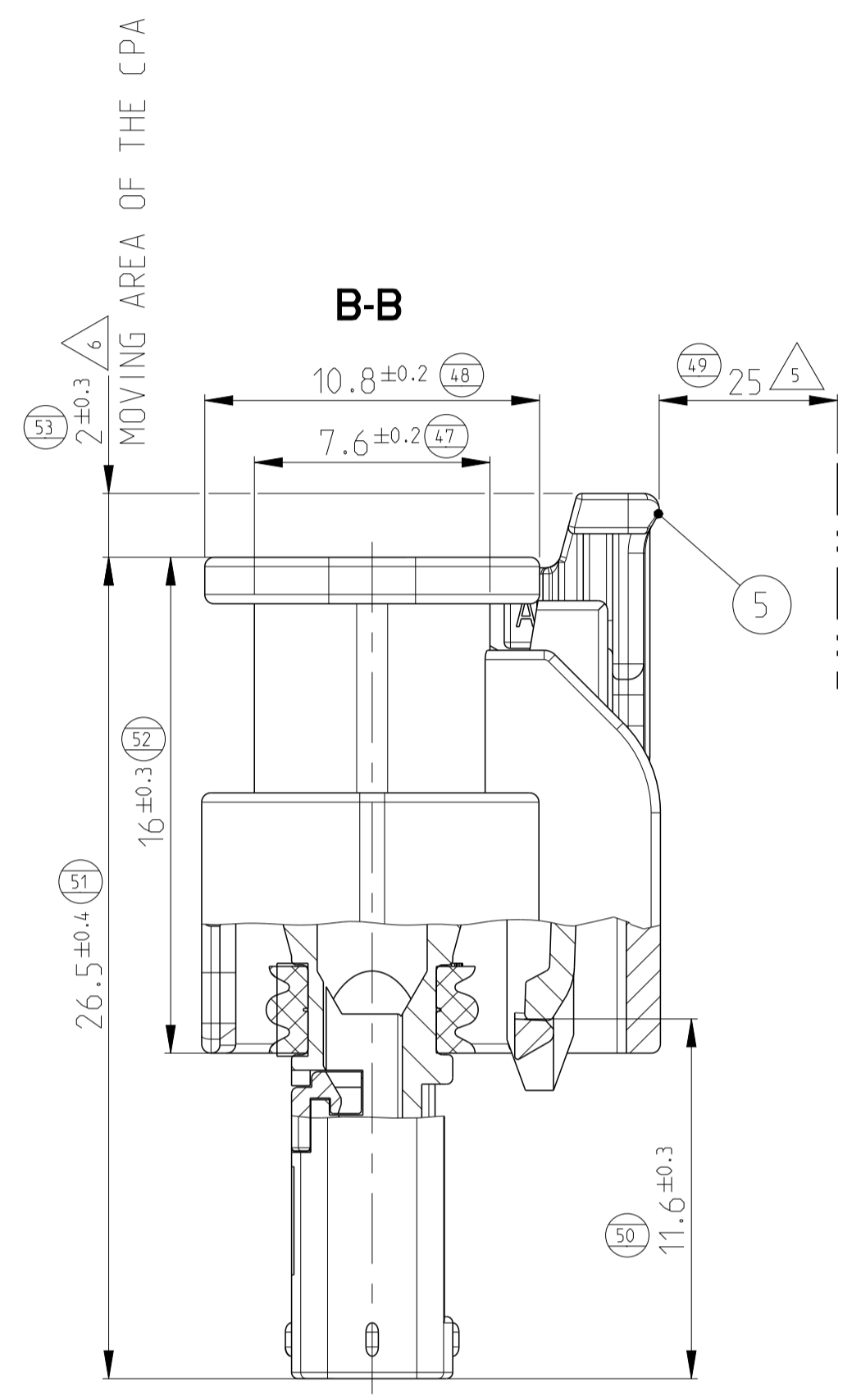


TE-ORDER NO.	COD	DESCRIPTION	REV	QTY	DESCRIPTION	MATERIAL	SURFACE/COLOUR	ITEM	VAR
1-1718644-6	A	3pos. MCON 1.2 - LL Connector Sealed	F	1	MCON 1.2 - CPA	PA46-GF15	GRAY SIML. RAL 7037	5	III
				1	3pos. MCON 1.2 - Seal	MVQ	NATURE	4	
				1	3pos. MCON 1.2 - Retainer	PA66-GF15	VIOLETT SIML. RAL 4006	3	
				1	3pos. MCON 1.2 - Protection Cover	PA6-GF15	BLACK SIML. RAL 9011	2	
				1	3pos. MCON 1.2 - Recepticle Hsg.	PA66-GF30	BLACK SIML. RAL 9011	1	
2-1718644-5	B	3pos. MCON 1.2 - LL Connector Sealed	A	1	MCON 1.2 - CPA	PA46-GF15	GRAY SIML. RAL 7037	5	II
				1	3pos. MCON 1.2 - Seal	MVQ	GREEN	4	
				1	3pos. MCON 1.2 - Retainer	PA66-GF15	VIOLETT SIML. RAL 4006	3	
				1	3pos. MCON 1.2 - Protection Cover	PA46	BLACK SIML. RAL 9011	2	
				1	3pos. MCON 1.2 - Recepticle Hsg.	PA66-GF30	NATURE	1	
1-1718644-5	A	3pos. MCON 1.2 - LL Connector Sealed	D	1	MCON 1.2 - CPA	PA46-GF15	GRAY SIML. RAL 7037	5	I
				1	3pos. MCON 1.2 - Seal	MVQ	GREEN	4	
				1	3pos. MCON 1.2 - Retainer	PA66-GF15	VIOLETT SIML. RAL 4006	3	
				1	3pos. MCON 1.2 - Protection Cover	PA46	BLACK SIML. RAL 9011	2	
				1	3pos. MCON 1.2 - Recepticle Hsg.	PA66-GF30	BLACK SIML. RAL 9011	1	
4-1718644-1	D	3pos. MCON 1.2 - LL Connector Sealed	A	1	MCON 1.2 - CPA	PA46-GF15	GRAY SIML. RAL 7037	5	I
				1	3pos. MCON 1.2 - Seal	MVQ	NATURE	4	
				1	3pos. MCON 1.2 - Retainer	PA66-GF15	VIOLETT SIML. RAL 4006	3	
				1	3pos. MCON 1.2 - Protection Cover	PA6-GF15	BLACK SIML. RAL 9011	2	
				1	3pos. MCON 1.2 - Recepticle Hsg.	PA66-GF30	VIOLETT SIML. RAL 4006	1	
3-1718644-1	C	3pos. MCON 1.2 - LL Connector Sealed	F	1	MCON 1.2 - CPA	PA46-GF15	GRAY SIML. RAL 7037	5	I
				1	3pos. MCON 1.2 - Seal	MVQ	NATURE	4	
				1	3pos. MCON 1.2 - Retainer	PA66-GF15	VIOLETT SIML. RAL 4006	3	
				1	3pos. MCON 1.2 - Protection Cover	PA6-GF15	BLACK SIML. RAL 9011	2	
				1	3pos. MCON 1.2 - Recepticle Hsg.	PA66-GF30	BLUE SIML. RAL 5012	1	
2-1718644-1	B	3pos. MCON 1.2 - LL Connector Sealed	F	1	MCON 1.2 - CPA	PA46-GF15	GRAY SIML. RAL 7037	5	I
				1	3pos. MCON 1.2 - Seal	MVQ	NATURE	4	
				1	3pos. MCON 1.2 - Retainer	PA66-GF15	VIOLETT SIML. RAL 4006	3	
				1	3pos. MCON 1.2 - Protection Cover	PA6-GF15	BLACK SIML. RAL 9011	2	
				1	3pos. MCON 1.2 - Recepticle Hsg.	PA66-GF30	NATURE	1	
1-1718644-1	A	3pos. MCON 1.2 - LL Connector Sealed	F	1	MCON 1.2 - CPA	PA46-GF15	GRAY SIML. RAL 7037	5	I
				1	3pos. MCON 1.2 - Seal	MVQ	NATURE	4	
				1	3pos. MCON 1.2 - Retainer	PA66-GF15	VIOLETT SIML. RAL 4006	3	
				1	3pos. MCON 1.2 - Protection Cover	PA6-GF15	BLACK SIML. RAL 9011	2	
				1	3pos. MCON 1.2 - Recepticle Hsg.	PA66-GF30	BLACK SIML. RAL 9011	1	

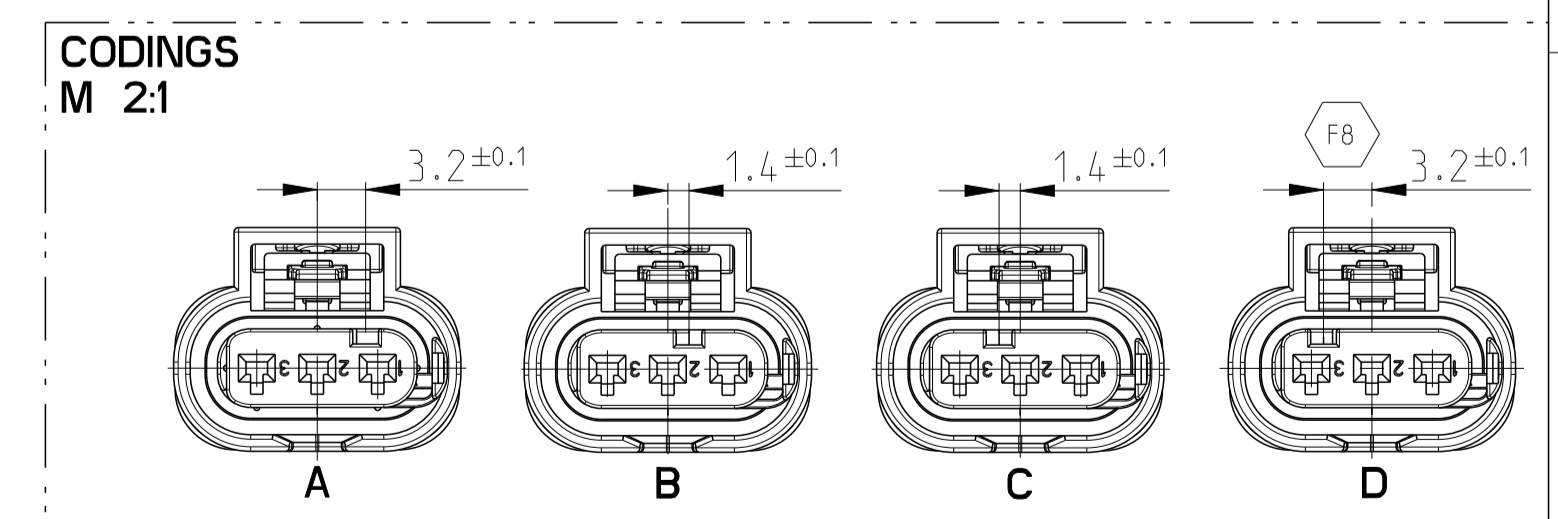


MOVING AREA OF THE RETAINER



- NOTES:
- 1 AREA FOR PRINT
  - 2 USABLE CONTACTS MCON 1.2 LL SEE TE-NO. 1452674
  - 3 MAX. WIRE SIZE RANGE 1.0 mm<sup>2</sup> FLR PERMITTED FOR CAVITY-Ø 3.5MM QUANTITY SEE WIRE HARNESS DRAWING FOR PERMISSIBLE CURRENT CARRYING CAPACITY OF THE SINGLE CONTACT SEE PRODUCT SPECIFICATION NO.108-18782
  - 4 SUPPLIER-MARK
  - 5 SPACE OF ACTIVITY
  - 6 SUPPLY CONDITION: CPA AND RETAINER IN PRELOCKED POSITION
  - 7 WARPAGE PERMITTED TO MAX. -0.5mm
  - 8 TE ORDER-NO.
  - 9 ACCORDING TO INTERFACE DRAWING SEE TE-NO. 114-18679-3
  - 9 VAR II: TEMPERATURE RESISTANCE OF PLASTIC PARTS 150 °C
  - 10 VAR III: VERSION WITH 180° TURNED REC. HSG (F8)
  - 11 ASSEMBLY LINE SEGMENT IDENTIFICATION
  - 12 DATE CODE (DDYY)
  - 13 DIVERGENT MARKING FOR PARTS FROM CHINESE, BRASIL AND U.S. PRODUCTION
- CODING A AS SHOWN

LOC	DIST	REVISIONS			
F	LTN	DESCRIPTION	DATE	DMN	APVD
F7		LASER PRINT UPDATED WITH BR VERSION	06NOV2018	SZN	LSZ
F8		NEW VERSION ADDED	03MAY2019	SZN	LSZ
F9		LASER PRINT UPDATED WITH CN LOCATION	06AUG2019	SZN	LSZ
F10		BOTTOM VIEW ADDED FOR CODING D	25MAR2020	SZN	LSZ



THIS DRAWING IS A CONTROLLED DOCUMENT. DIMENSIONS: mm. TOLERANCES UNLESS OTHERWISE SPECIFIED: 0 PLC ±, 1 PLC ±, 2 PLC ±, 3 PLC ±, 4 PLC ±, 5 PLC ±, 6 PLC ±, 7 PLC ±, 8 PLC ±, 9 PLC ±, 10 PLC ±, 11 PLC ±, 12 PLC ±, 13 PLC ±, 14 PLC ±, 15 PLC ±, 16 PLC ±, 17 PLC ±, 18 PLC ±, 19 PLC ±, 20 PLC ±, 21 PLC ±, 22 PLC ±, 23 PLC ±, 24 PLC ±, 25 PLC ±, 26 PLC ±, 27 PLC ±, 28 PLC ±, 29 PLC ±, 30 PLC ±, 31 PLC ±, 32 PLC ±, 33 PLC ±, 34 PLC ±, 35 PLC ±, 36 PLC ±, 37 PLC ±, 38 PLC ±, 39 PLC ±, 40 PLC ±, 41 PLC ±, 42 PLC ±, 43 PLC ±, 44 PLC ±, 45 PLC ±, 46 PLC ±, 47 PLC ±, 48 PLC ±, 49 PLC ±, 50 PLC ±, 51 PLC ±, 52 PLC ±, 53 PLC ±, 54 PLC ±, 55 PLC ±, 56 PLC ±, 57 PLC ±, 58 PLC ±, 59 PLC ±, 60 PLC ±. ANGLES FINISH: 30°. WEIGHT: 3 g. CUSTOMER DRAWING: 114-18661. DWN: C. L'Abbate. CHK: A. Schroebel. APVD: J. Woller. NAME: 3pos. MCON 1.2 - LL Connector, Sealed. SIZE: A1. CAGE CODE: 00779. DRAWING NO: 1718644. SCALE: 5:1. SHEET: 1 OF 1. REV: F10.