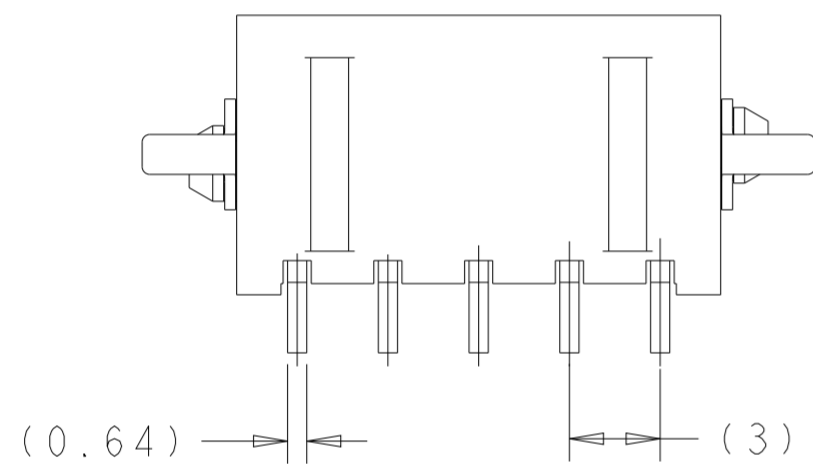
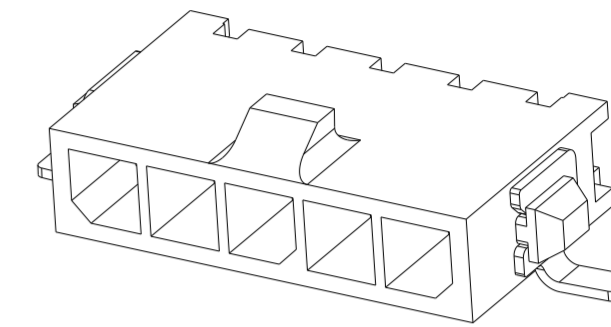
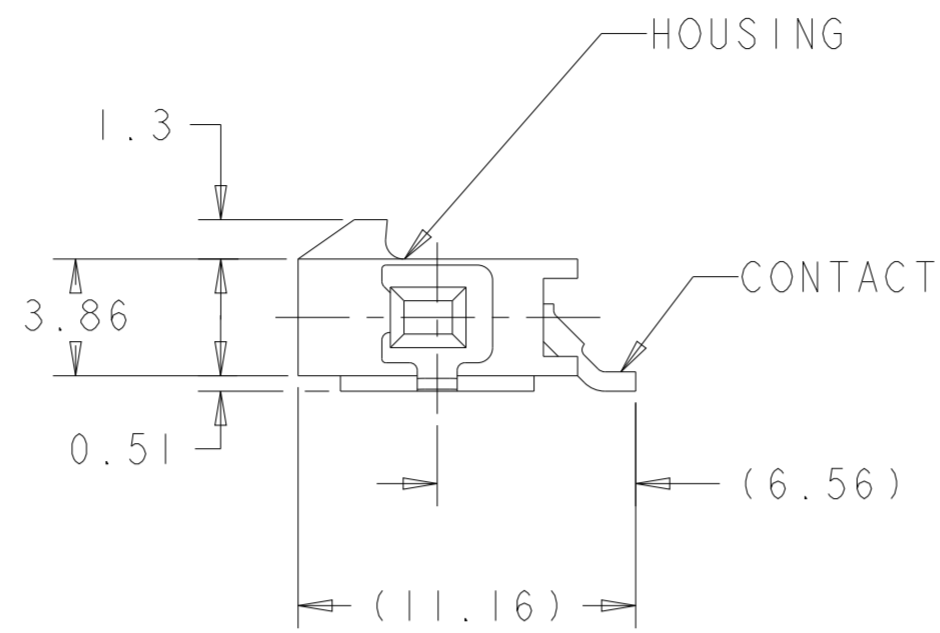
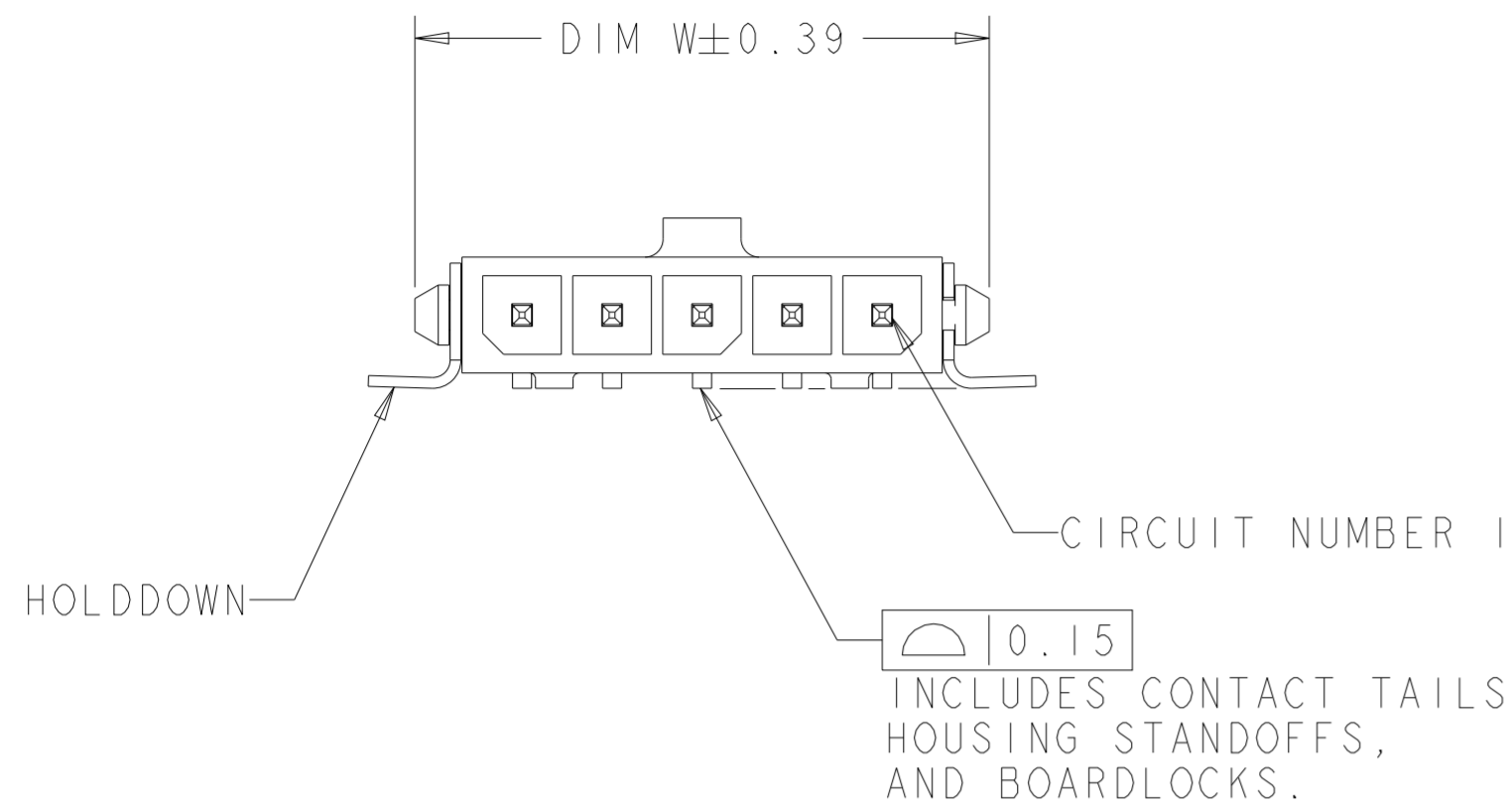
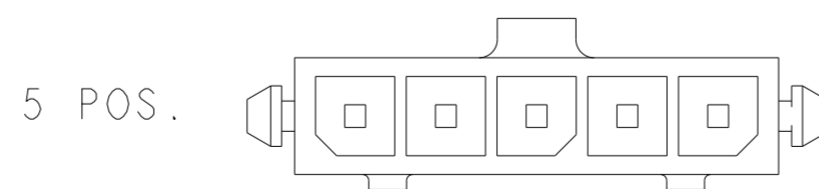
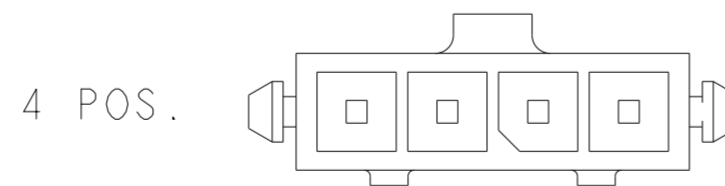
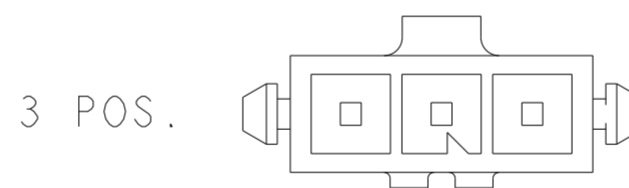
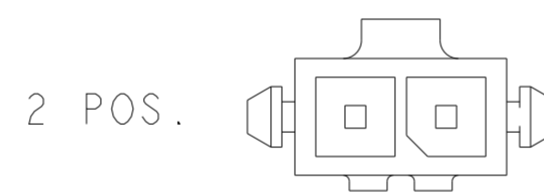


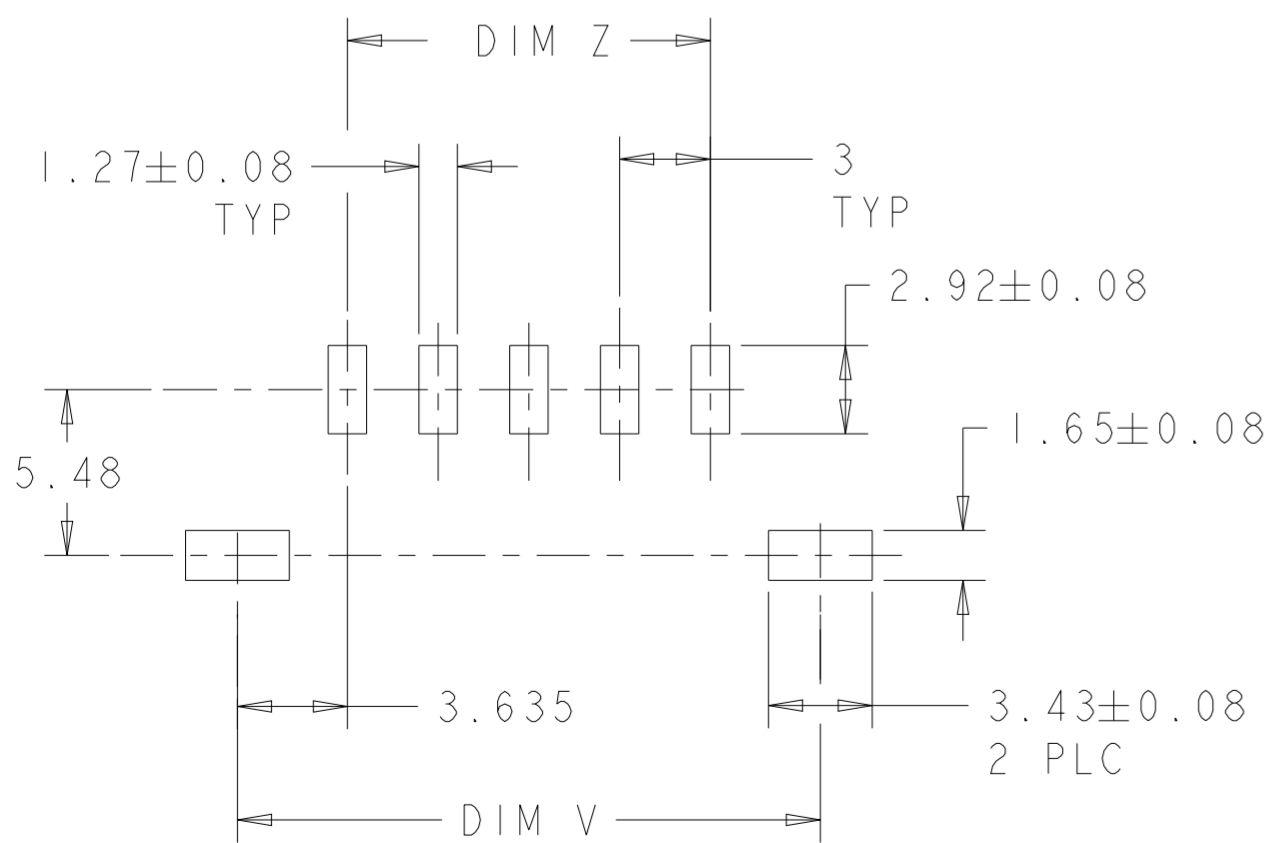
| P | LTR | DESCRIPTION | DATE | DWN | APVD |
|----|-----|---------------------------|-----------|-----|------|
| B | | REVISED PER ECO-11-010355 | 08JUN2011 | HMR | JR |
| B1 | | ECO-19-006934 | 10MAY2019 | AP | WS |
| B2 | | REVISED PER ECN-23-198901 | 23FEB2023 | WLS | VS |



- 1 MATERIAL: HOUSING - UL 94V-0 RATED HIGH TEMP NYLON, COLOR NATURAL. CONTACTS - BRASS. HOLDDOWNS - PHOSPHOR BRONZE.
- 2 PLATING: CONTACTS - 2.54µm MIN TIN OVER 1.27µm MIN NICKEL. HOLDDOWNS - 2.54µm MIN TIN OVER 1.27µm MIN NICKEL.
- 3 RECOMMENDED PC BOARD THICKNESS OF 1.57



KEYING BY POSITION SIZE



PCB LAYOUT COMPONENT SIDE 3

| 12 | 19.27 | 19 | 5 | 2029076-5 |
|-------|-------|-------|-------------|-------------|
| 9 | 16.27 | 16 | 4 | 2029076-4 |
| 6 | 13.27 | 13 | 3 | 2029076-3 |
| 3 | 10.27 | 10 | 2 | 2029076-2 |
| DIM Z | DIM V | DIM W | NO. OF POSN | PART NUMBER |

THIS DRAWING IS A CONTROLLED DOCUMENT.

| | | | | |
|-------------|--|------------------|-------------|-----------|
| DIMENSIONS: | TOLERANCES UNLESS OTHERWISE SPECIFIED: | DWN | K. WHITAKER | 11MAR2008 |
| mm | 0 PLC ± | CHK | C. JONES | 11MAR2008 |
| | 1 PLC ± | APVD | C. JONES | 11MAR2008 |
| | 2 PLC ±0.13 | PRODUCT SPEC | | |
| | 3 PLC ± | APPLICATION SPEC | | |
| | 4 PLC ± | 114-13000 | | |
| | ANGLES ±° | WEIGHT | | |
| | FINISH | | | |

MATERIAL 1

TE Connectivity

RT ANGLE SURFACE MOUNT HEADER ASSY, TIN CONTACTS W/SURF MOUNT HOLDDOWNS, SINGLE ROW, MICRO MATE-N-LOK(TM)

SIZE A2 CAGE CODE 00779 DRAWING NO C-2029076 RESTRICTED TO -

CUSTOMER DRAWING SCALE 4:1 SHEET 1 OF 1 REV B2