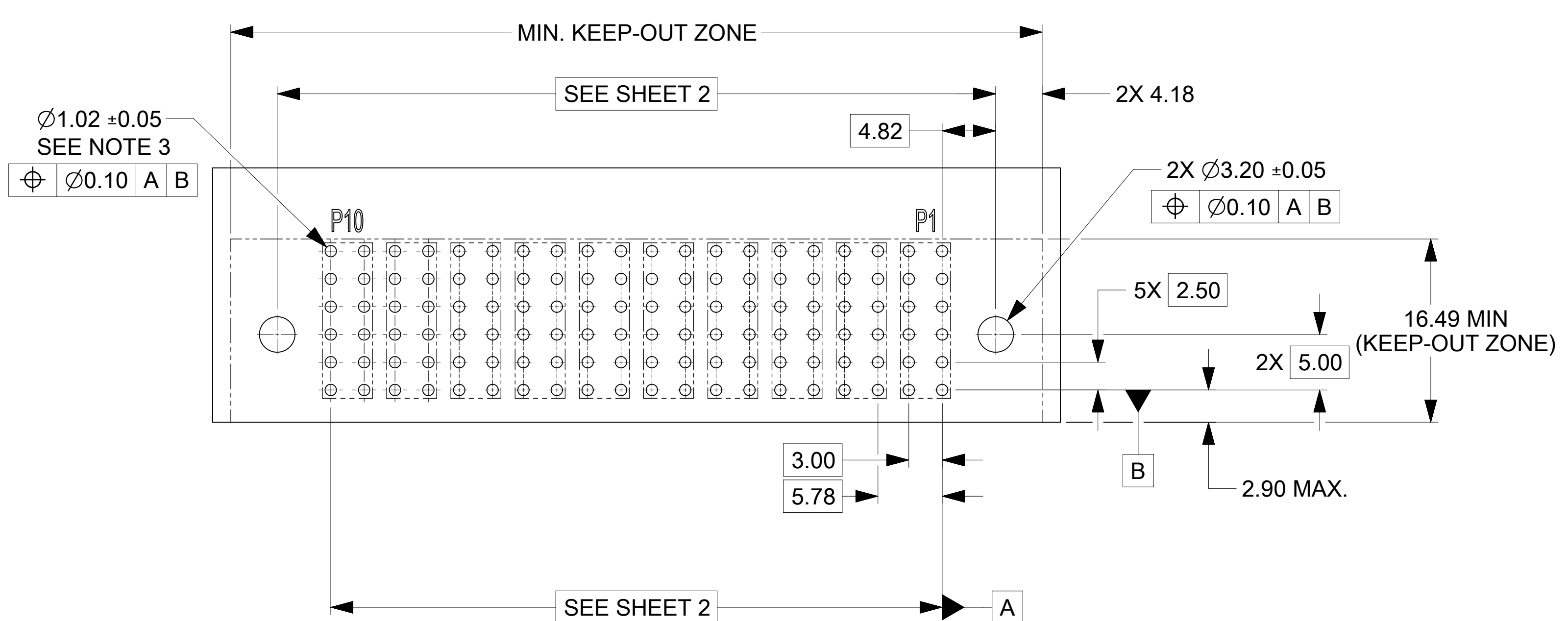


**PLUG MATED TO R/A RECEPTACLE  
MATED PROFILE**

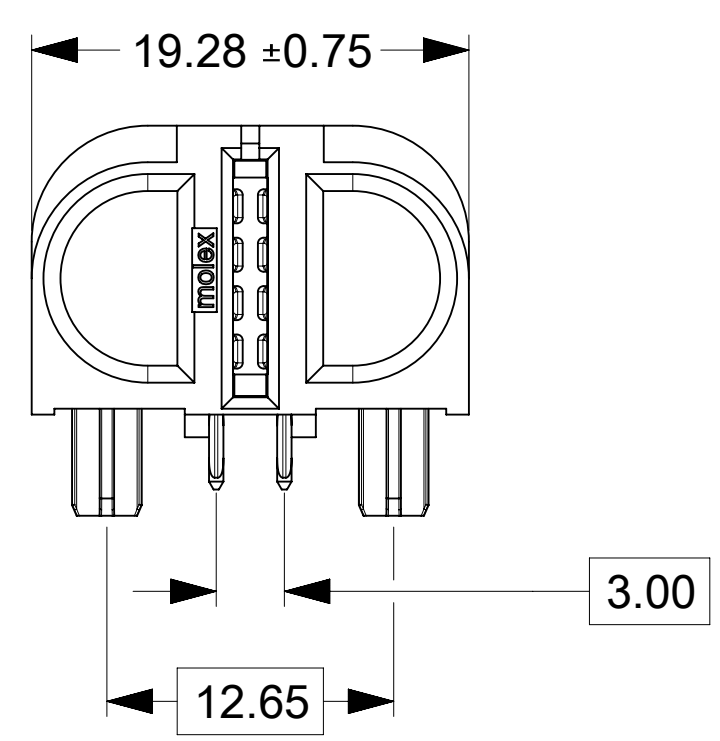


**RECOMMENDED PCB LAYOUT AND KEEP-OUT ZONE**

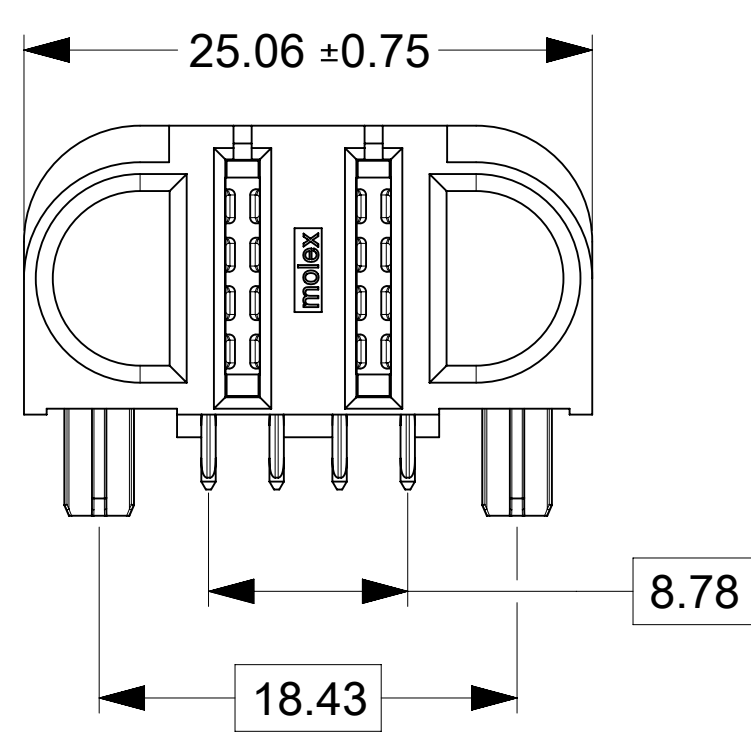
- NOTES:**
- MATERIAL:**
    - HOUSINGS: LCP UL94, V-0, COLOR : BLACK
    - TERMINALS: HIGH CONDUCTIVITY COPPER ALLOY
    - PLATING: 1.27 µm (50 µin) NICKEL OVERALL WITH 2.54 µm (100 µin) SELECTIVE TIN ON TAILS AND 0.762 µm (30 µin) SELECTIVE GOLD ON CONTACT AREA
  - PACKAGING:** ASSEMBLIES TO BE TRAY PACKED PER PACKAGING SPEC: 2141150010-PK.
  - PLATED THRU HOLE SIZE,** REFER TO PRODUCT SPEC. FOR DETAILS.
  - PRODUCT SPEC:** 2141130000-PS.
  - PRODUCT TO MEET RoHS REQUIREMENTS.**
  - VERTICAL ASSEMBLY MATES TO MOLEX PLUG 219562XXXX-SD, SEE DRAWING FOR DETAILS.**
  - TAIL DESIGN: COMPLIANT PIN.**
  - POWER TERMINALS ARE LUBRICATED.**
  - APPLICATION SPECIFICATION: 2141130000-AS (FOR COMPLIANT TAILS ONLY).**

THIS DRAWING CONTAINS INFORMATION THAT IS PROPRIETARY TO MOLEX ELECTRONIC TECHNOLOGIES, LLC AND SHOULD NOT BE USED WITHOUT WRITTEN PERMISSION											
DIMENSION UNITS		SCALE		CURRENT REV DESC:							
mm		3:1									
GENERAL TOLERANCES (UNLESS SPECIFIED)											
ANGULAR TOL		± °									
4 PLACES		±		EC NO: 745288							
3 PLACES		±		DRWN: LZABJANOVSKI		2023/03/24					
2 PLACES		± 0.25		CHK'D: JAYK1		2023/04/10					
1 PLACE		± 0.3		APPR: JAYK1		2023/04/10					
0 PLACES		±		INITIAL REVISION:							
				DRWN: LZABJANOVSKI		2022/03/31					
				APPR: BPISZCZOR		2022/08/04					
DRAFT WHERE APPLICABLE MUST REMAIN WITHIN DIMENSIONS				THIRD ANGLE PROJECTION		DRAWING		SERIES		MATERIAL NUMBER	
						D-SIZE		219564		SEE CHART	
										CUSTOMER	
										SHEET NUMBER	
										1 OF 2	

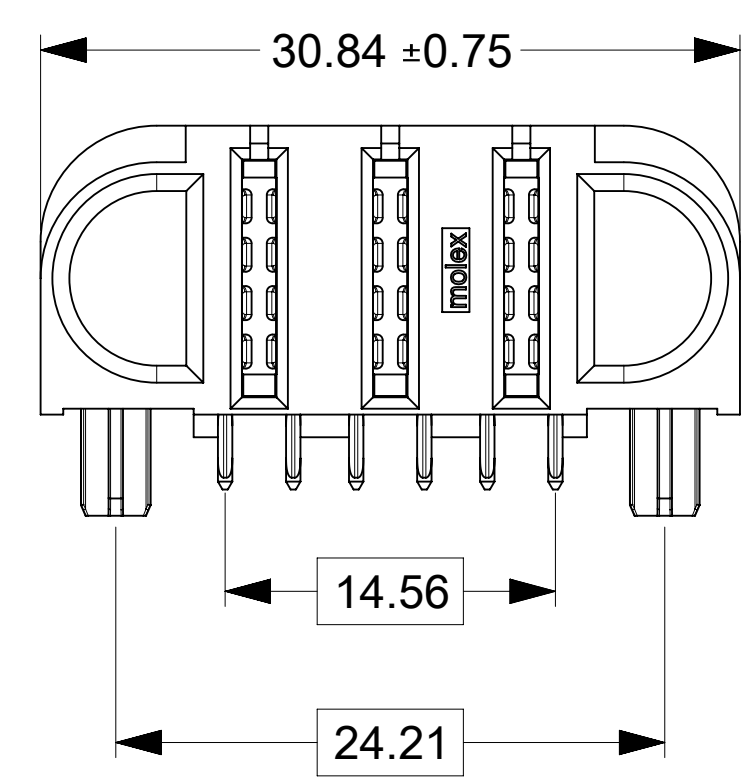
PART NUMBER	CONFIGURATION	QUANTITY PER CARTON (DU)
219564-0001	G+1P+G	195



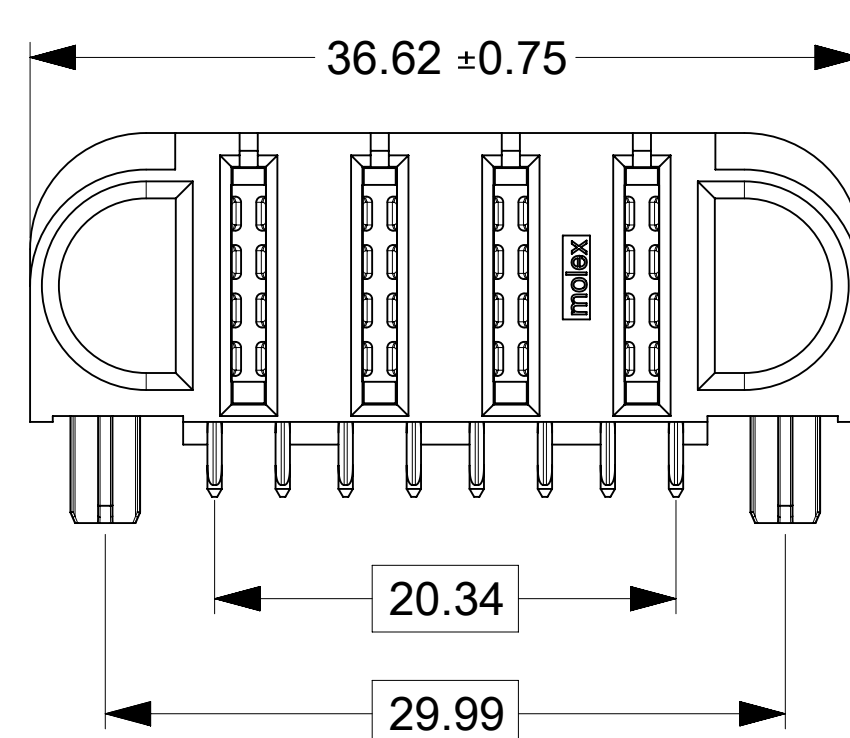
PART NUMBER	CONFIGURATION	QUANTITY PER CARTON (DU)
219564-0002	G+2P+G	150



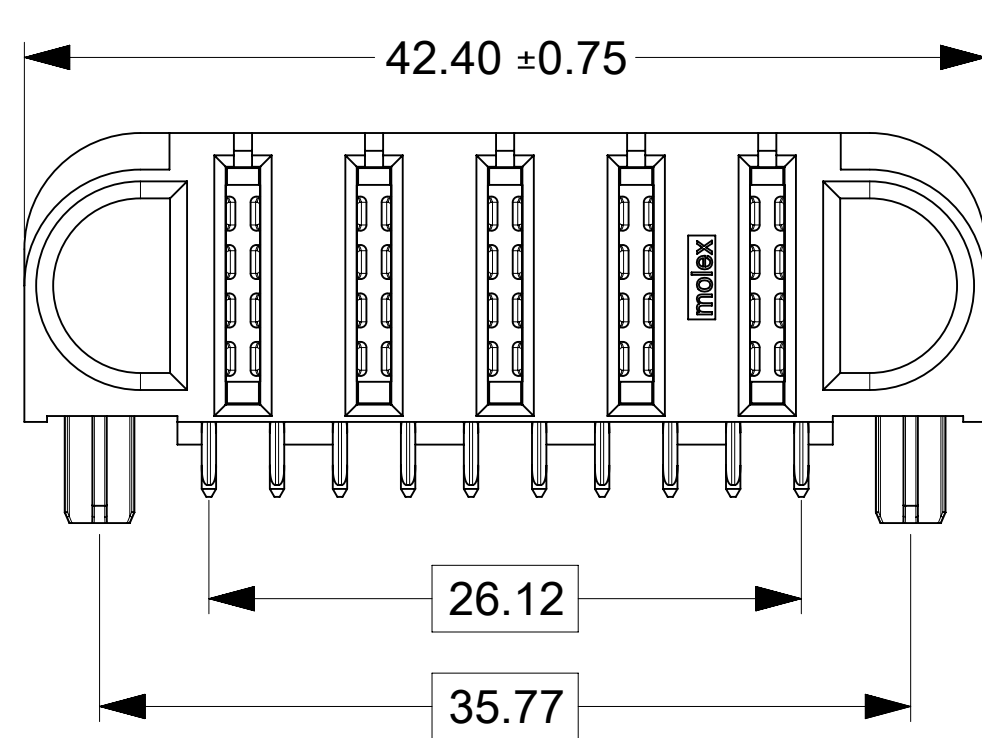
PART NUMBER	CONFIGURATION	QUANTITY PER CARTON (DU)
219564-0003	G+3P+G	120



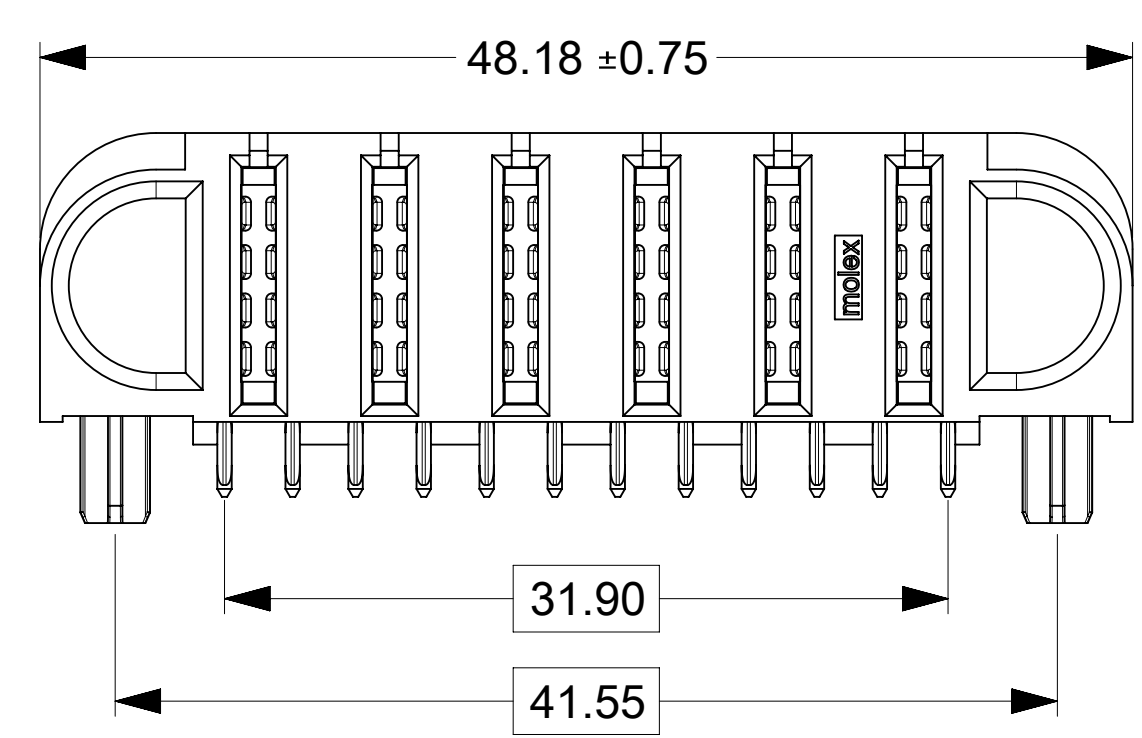
PART NUMBER	CONFIGURATION	QUANTITY PER CARTON (DU)
219564-0004	G+4P+G	105



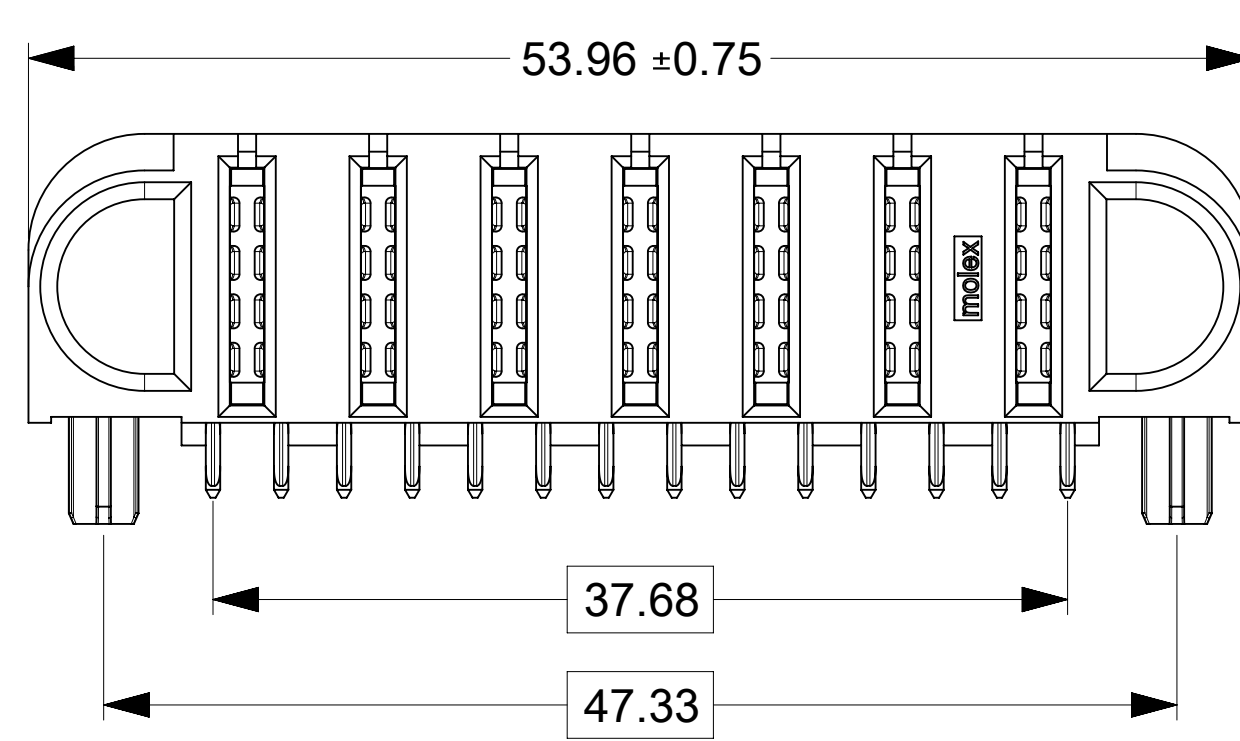
PART NUMBER	CONFIGURATION	QUANTITY PER CARTON (DU)
219564-0005	G+5P+G	90



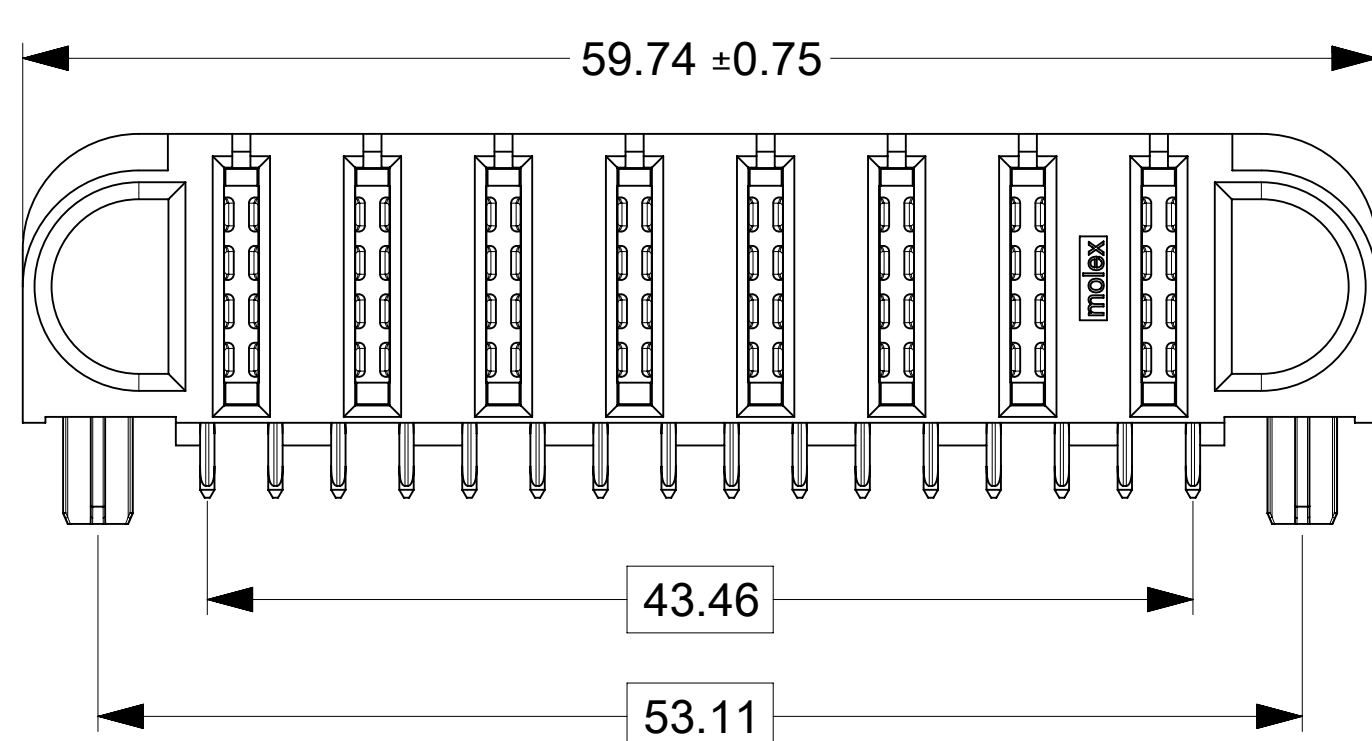
PART NUMBER	CONFIGURATION	QUANTITY PER CARTON (DU)
219564-0006	G+6P+G	75



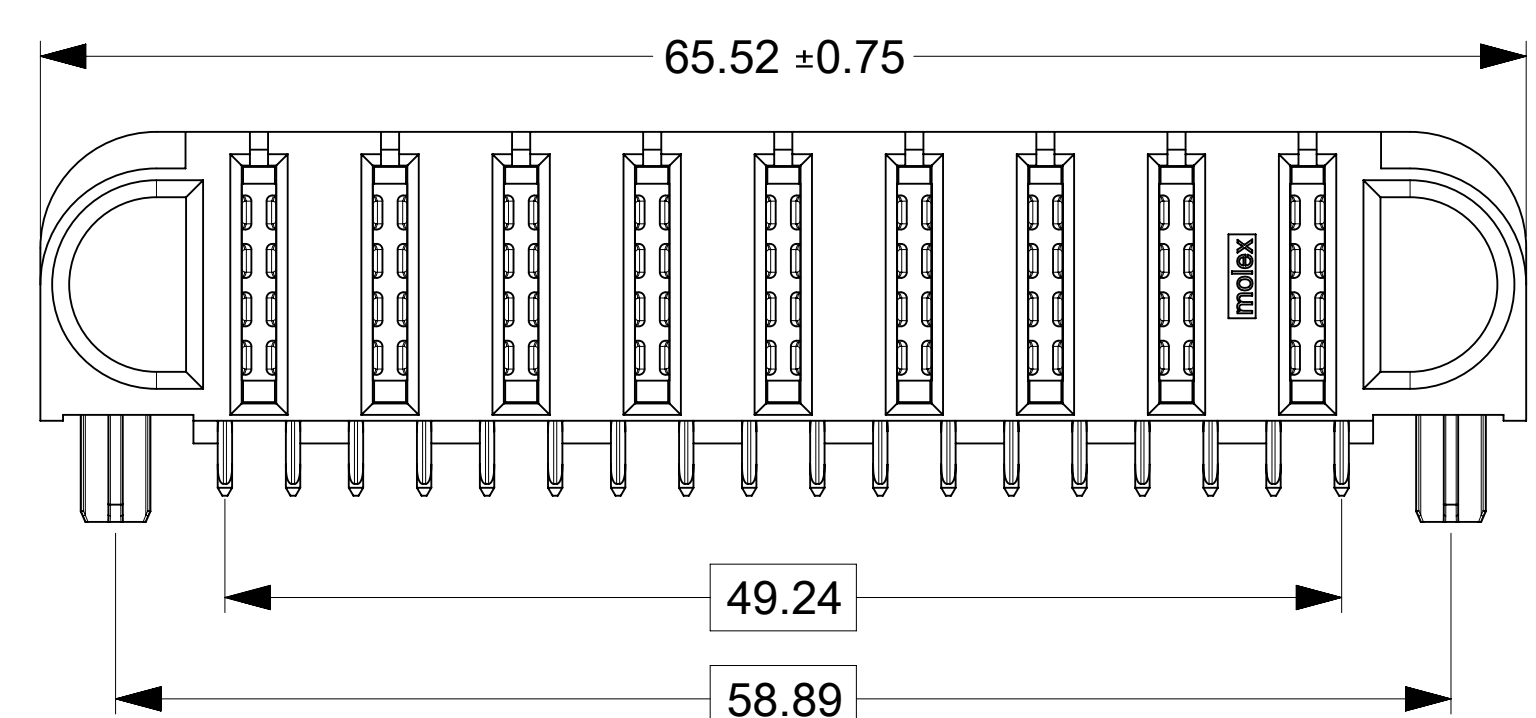
PART NUMBER	CONFIGURATION	QUANTITY PER CARTON (DU)
219564-0007	G+7P+G	60



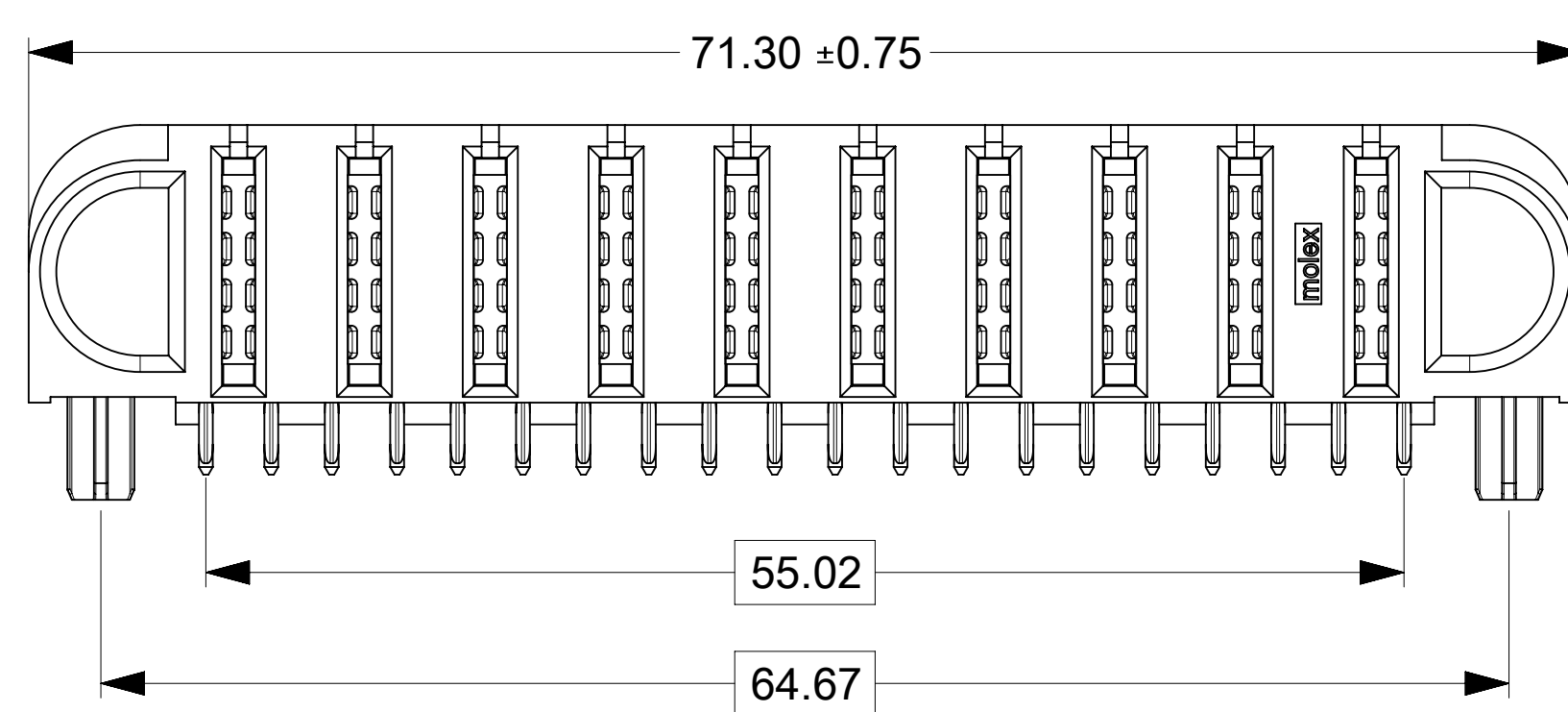
PART NUMBER	CONFIGURATION	QUANTITY PER CARTON (DU)
219564-0008	G+8P+G	60



PART NUMBER	CONFIGURATION	QUANTITY PER CARTON (DU)
219564-0009	G+9P+G	45



PART NUMBER	CONFIGURATION	QUANTITY PER CARTON (DU)
219564-0010	G+10P+G	45



THIS DRAWING CONTAINS INFORMATION THAT IS PROPRIETARY TO MOLEX ELECTRONIC TECHNOLOGIES, LLC AND SHOULD NOT BE USED WITHOUT WRITTEN PERMISSION

DIMENSION UNITS	SCALE	CURRENT REV DESC:
mm	3:1	
GENERAL TOLERANCES (UNLESS SPECIFIED)		
ANGULAR TOL	±	°
4 PLACES	±	
3 PLACES	±	
2 PLACES	±	0.25
1 PLACE	±	0.3
0 PLACES	±	
DRAFT WHERE APPLICABLE	THIRD ANGLE PROJECTION	DRAWING
MUST REMAIN WITHIN DIMENSIONS		D-SIZE

EC NO: 745288	2023/03/24
DRWN: LZABJANOVSKI	2023/04/10
CHK'D: JAYK1	2023/04/10
APPR: JAYK1	2023/04/10
INITIAL REVISION:	
DRWN: LZABJANOVSKI	2022/03/31
APPR: BPISZCZOR	2022/08/04

DOCUMENT NUMBER		DOC TYPE	DOC PART	REVISION
2195649000-SD		PSD	000	A3
MATERIAL NUMBER	CUSTOMER	SHEET NUMBER		
SEE CHART		2 OF 2		

DOCUMENT STATUS	P1	RELEASE DATE	2023/04/11	17:06:07
-----------------	----	--------------	------------	----------