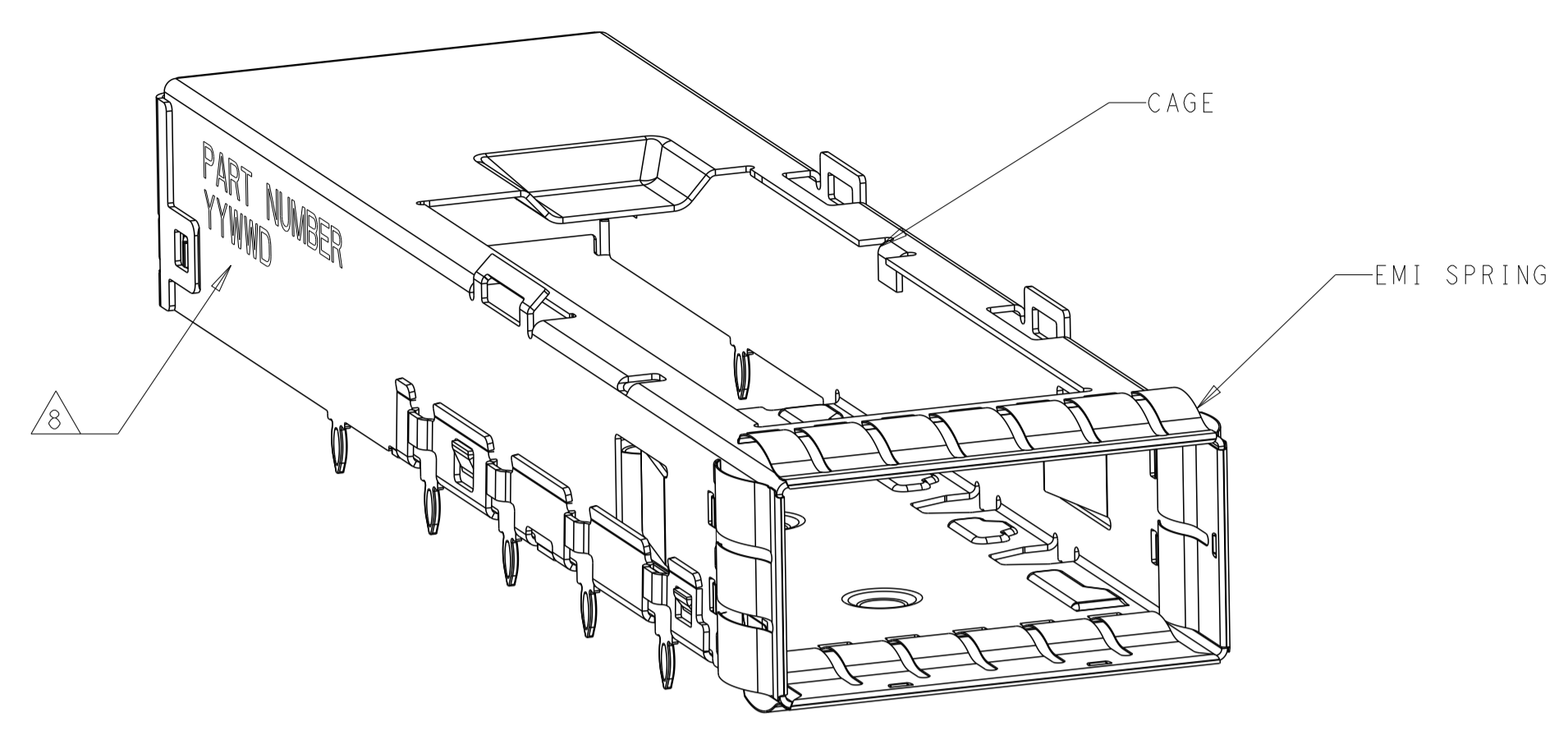
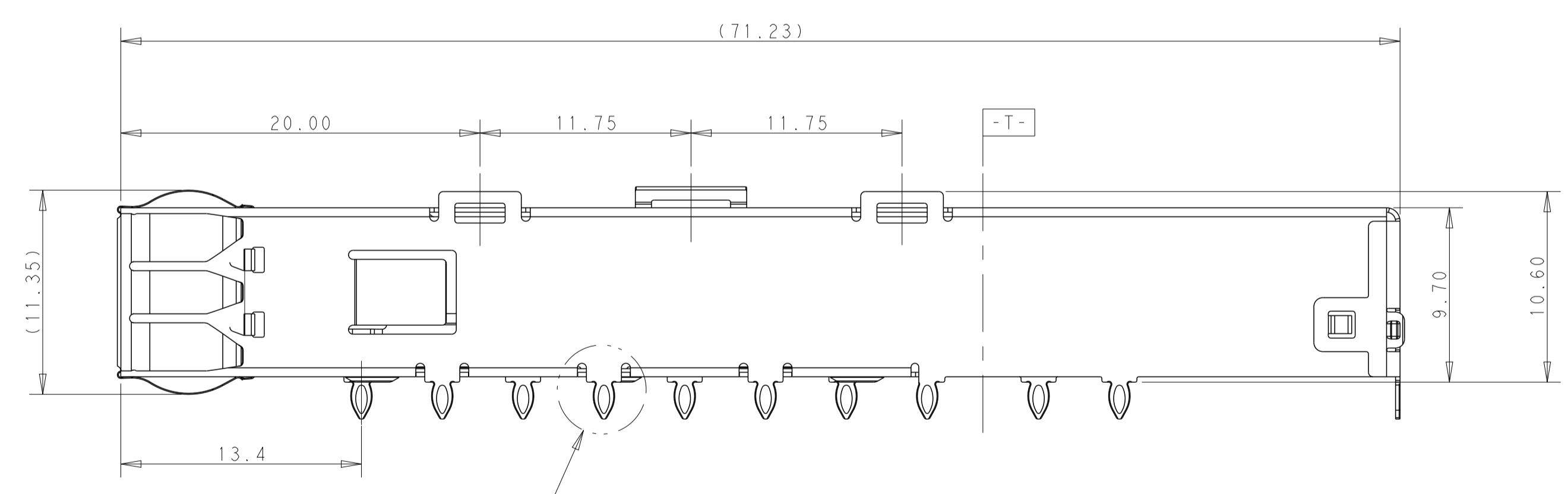
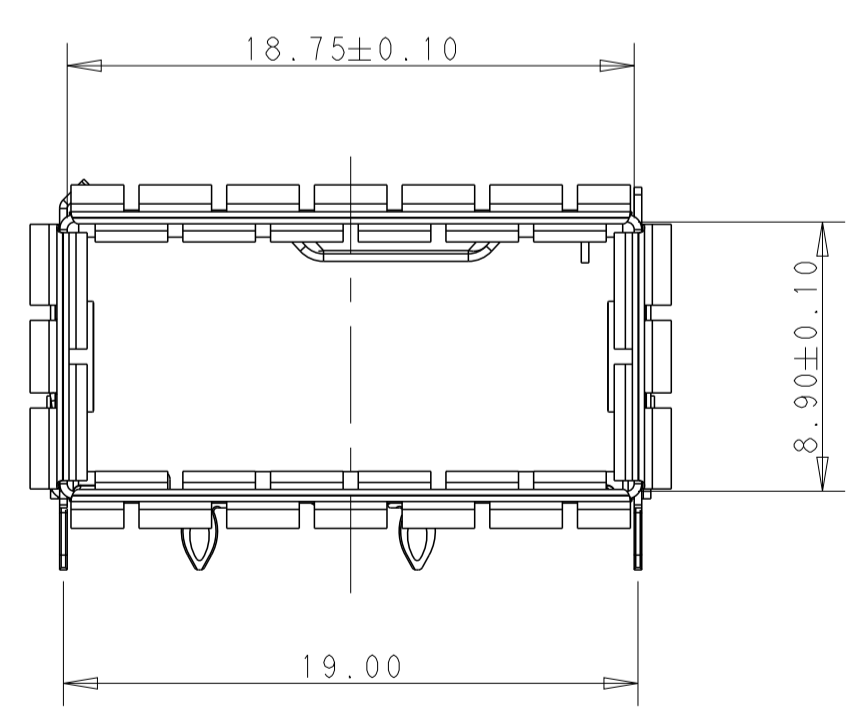
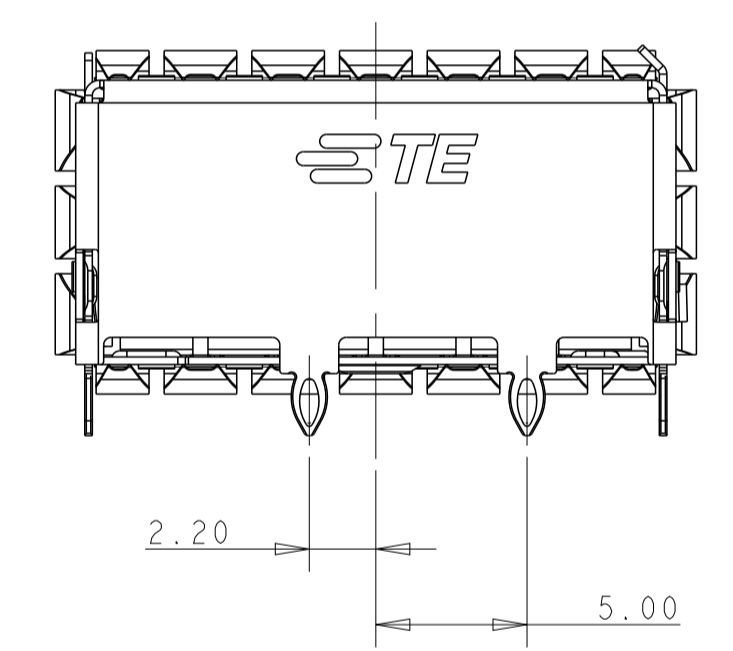
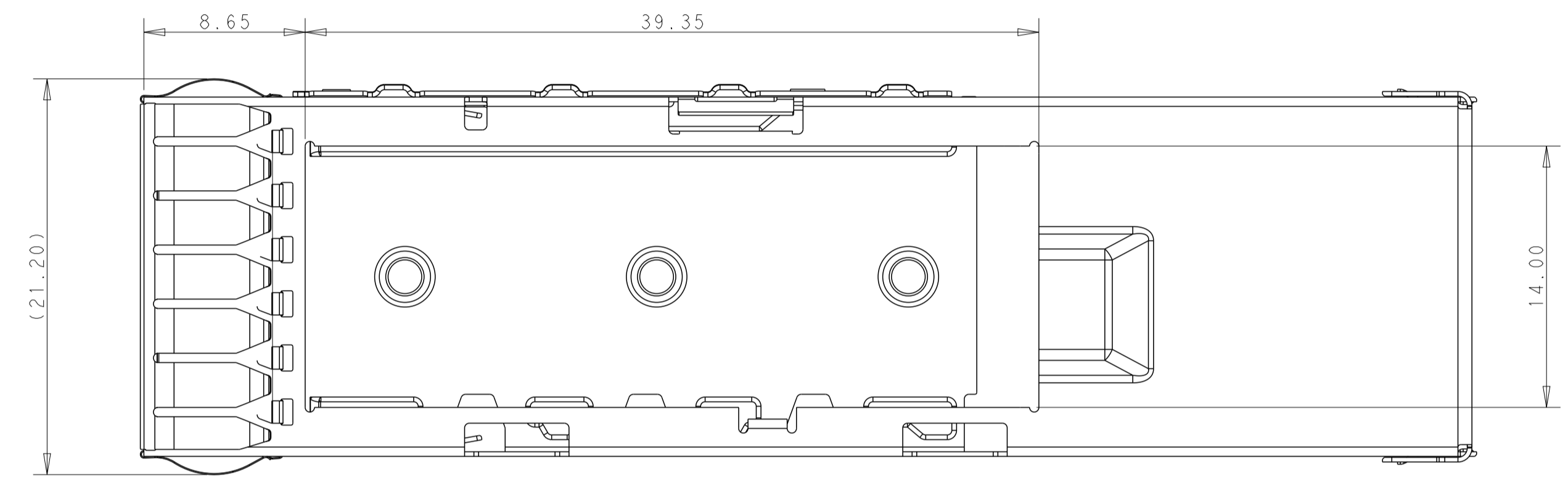


LOC		DIST		REVISIONS			
P	LTN	DESCRIPTION	DATE	DMN	APVD		
A2		REVISED TOLERANCE MISSING ISSUE	23APR2020	AJ	SH		
A3		ADDED NEW DASH 2-6. REMOVED 2-2	01JUN2020	AJ	SH		
A4		ADDED NEW DASH NUMBER 2-0	24DEC2020	AJ	SZ		
A5		REVISED PER ECN-22-148564	12APR2022	SH	SZ		

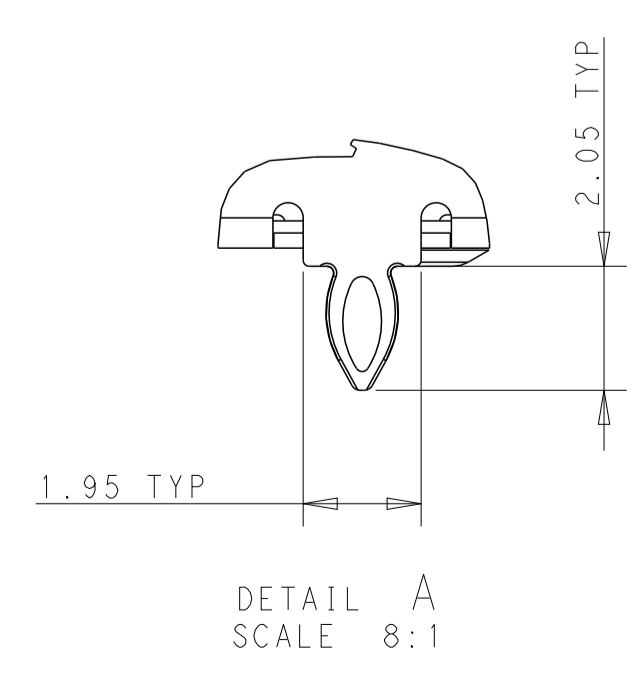


2324171-2 AS SHOWN
SCALE 4:1

1. MATERIAL:
CAGE MATERIAL : 0.25 THICK STAINLESS STEEL.
SPRING MATERIAL: COPPER ALLOY
2. FINISH:
SPRING: NICKEL PLATING
CONNECTOR EMI SPRING: TIN PLATING
3. DIMENSION APPLIES WITH MODULE INSTALLED IN THE CAGE TO TOP OF HEAT SINK.
4. REFERENCE APPLICATION SPEC 114-60025 FOR RECOMMENDED DRILL HOLE DIAMETER AND PLATING THICKNESS.
5. DATUM AND BASIC DIMENSIONS ESTABLISHED BY CUSTOMERS.
6. MINIMUM PC BOARD THICKNESS : SINGLES SIDED: 1.57 MIN
DOUBLE SIDED: 3.00 MIN
7. DATUM -A- IS TOP SURFACE OF THE HOST BOARD.
8. DATE CODE (YYWW) MARKED APPROXIMATELY AS SHOWN
9. MATES WITH QSFP DD MSA COMPATIBLE TRANSCEIVER.



2324171-2
SCALE 4:1



DETAIL A
SCALE 8:1

REMARK	# REAR PINS	PART NUMBER
CLOSED TOP	2	2324171-1
W/O TOP CLIP LATCH	0	2-2324171-0
CLOSED TOP	1	2-2324171-6
CLOSED TOP	0	2-2324171-5
CUST, W/O CLIP LATCH	2	2-2324171-4
CUST, W/O CLIP LATCH	1	1-2324171-0
STANDARD	1	2324171-8
STANDARD	0	2324171-7
STANDARD	2	2324171-2

THIS DRAWING IS A CONTROLLED DOCUMENT. DWG: ARTHUR_JLN 24FEB2018
 CHK: SEAN_HAN 24FEB2018
 APVD: SEAN_HAN 24FEB2018

STE TE Connectivity

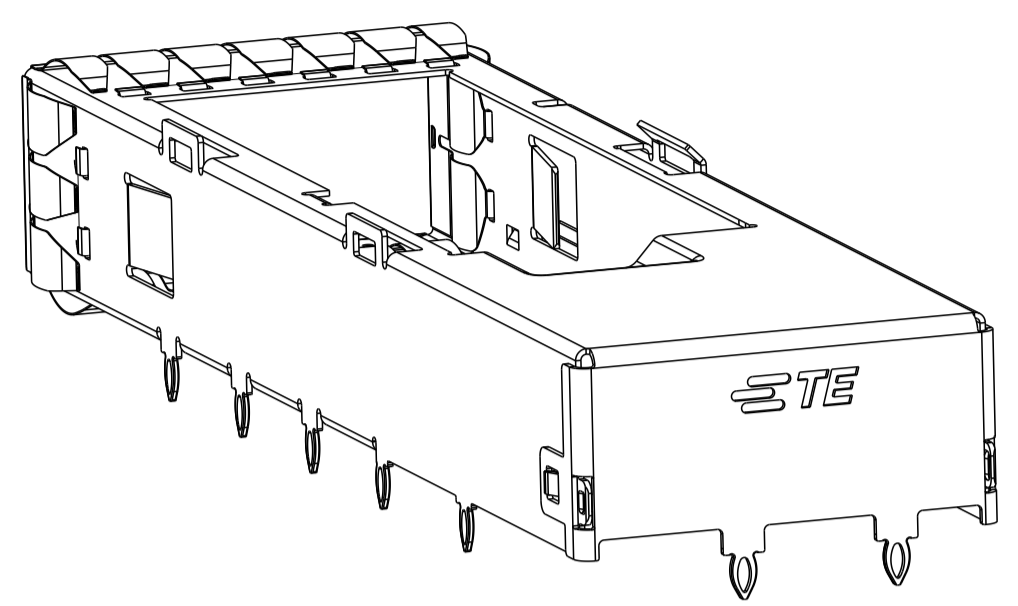
NAME: CAGE ASSEMBLY, QSFP-DD STANDARD 1X1, WITH EMI SPRING FINGER

PRODUCT SPEC: 108-60122
 APPLICATION SPEC: 114-60025

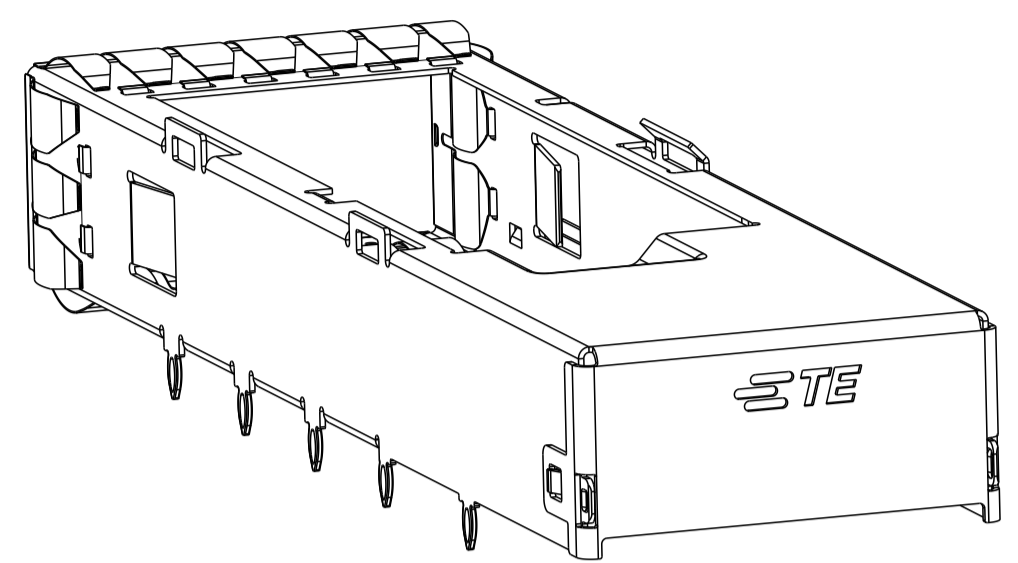
SIZE: A1 CAGE CODE: - DRAWING NO: C=2324171 RESTRICTED TO: -
 MATERIAL: - WEIGHT: -
 DIMENSIONS: mm TOLERANCES UNLESS OTHERWISE SPECIFIED: 0 PLC ±0.25, 1 PLC ±0.25, 2 PLC ±0.20, 3 PLC ±0.10, 4 PLC ±. ANGLE ±. FINISH: -

CUSTOMER DRAWING SCALE: 2:1 SHEET 1 OF 7 REV: A5

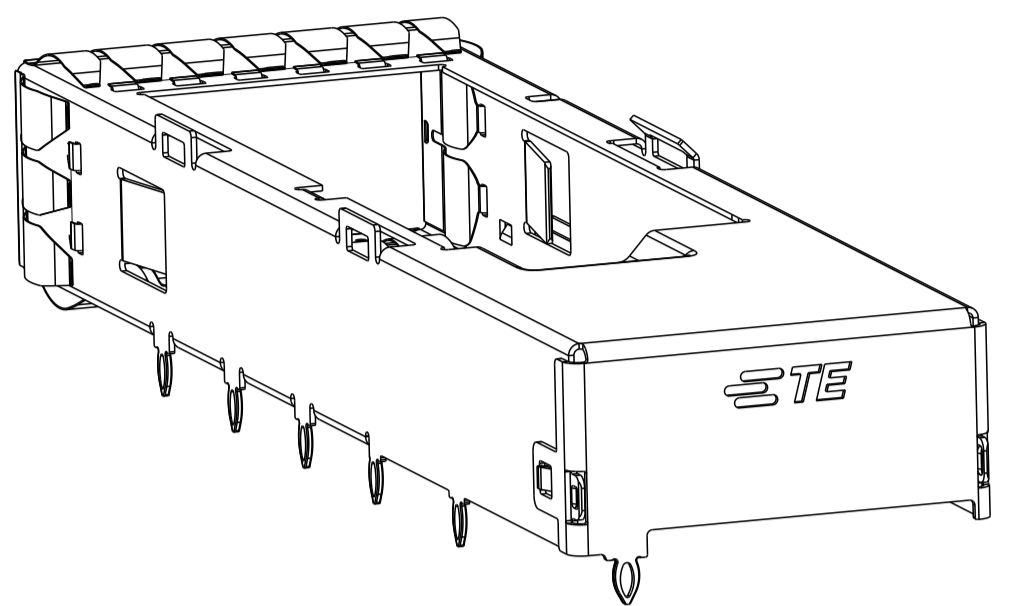
LOC		DIST		REVISIONS			
P	LTN	DESCRIPTION	DATE	OWN	APVD		
-	-	SEE SHEET 1	-	-	-		



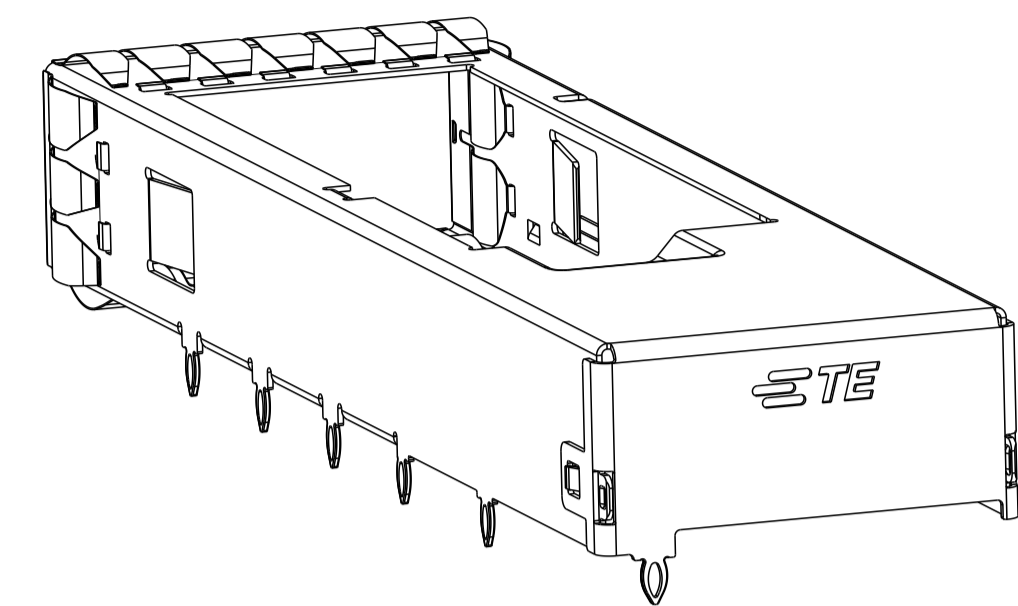
2324171-2 AS SHOWN
WITH 2 REAR PINS
SCALE 3:1



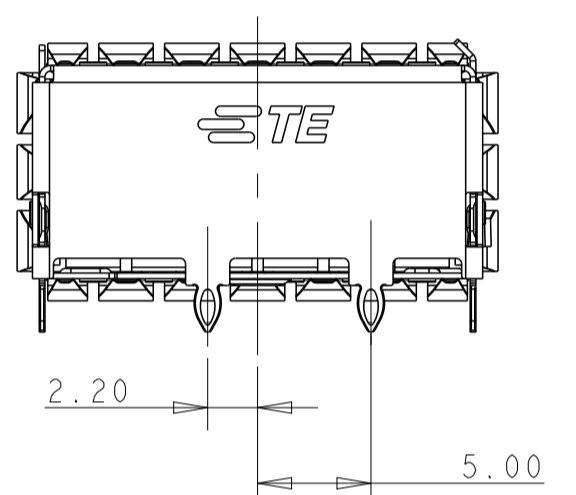
2324171-7 AS SHOWN
WITH 0 REAR PINS
SCALE 3:1



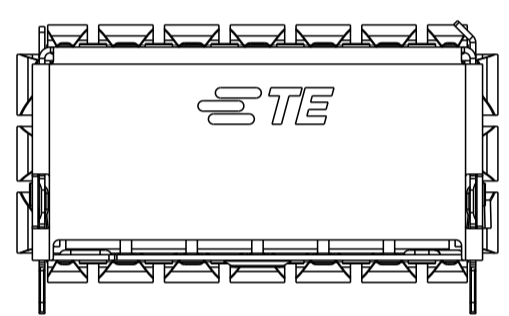
2324171-8 AS SHOWN
WITH 1 REAR PINS
SCALE 3:1



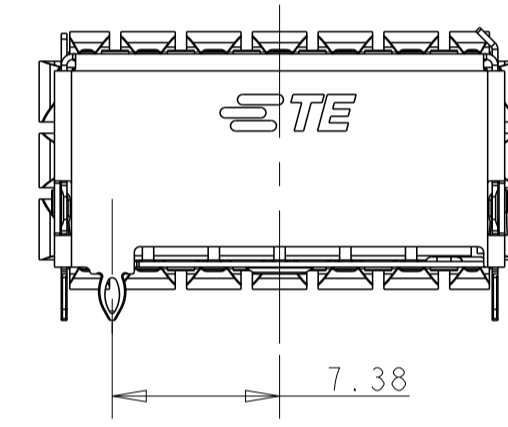
1-2324171-0 AS SHOWN
WITH 1 REAR PINS
W/O CLIP RETENTION FEATURES
SCALE 3:1



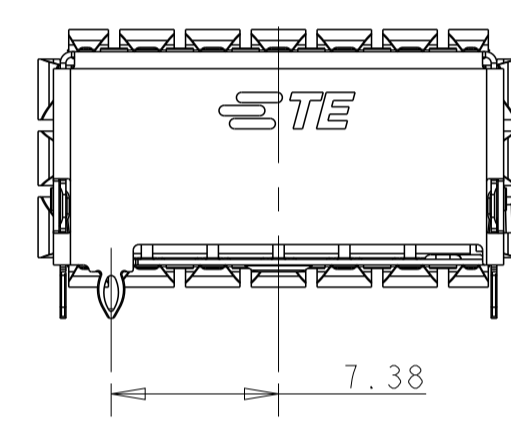
2324171-2
SCALE 3:1



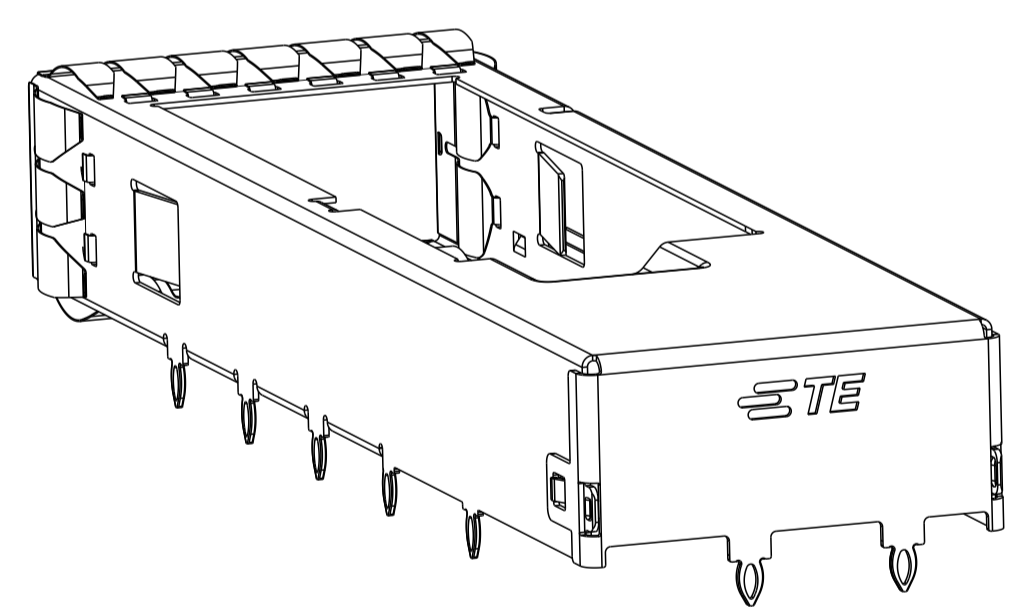
2324171-7
SCALE 3:1



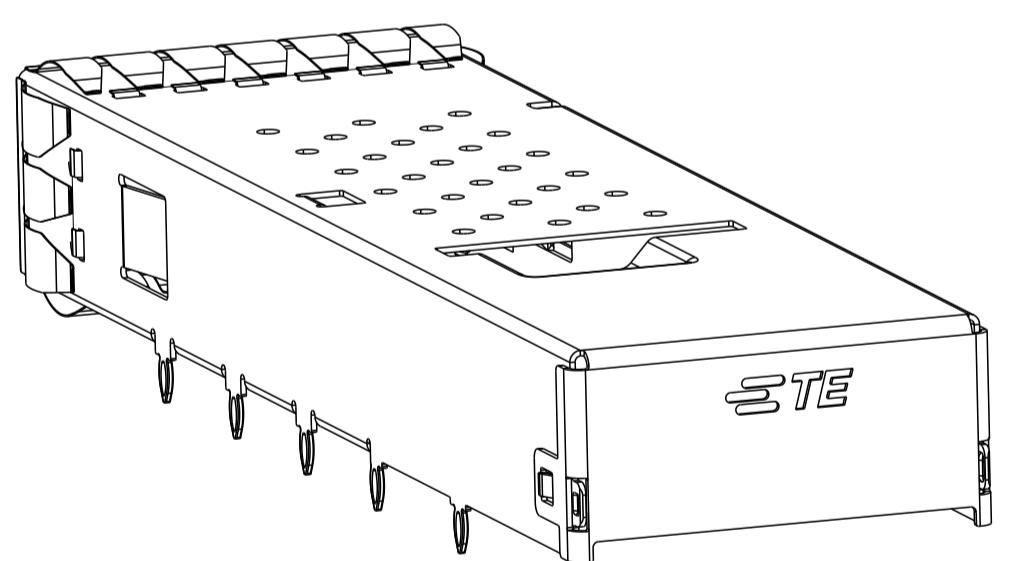
2324171-8
SCALE 3:1



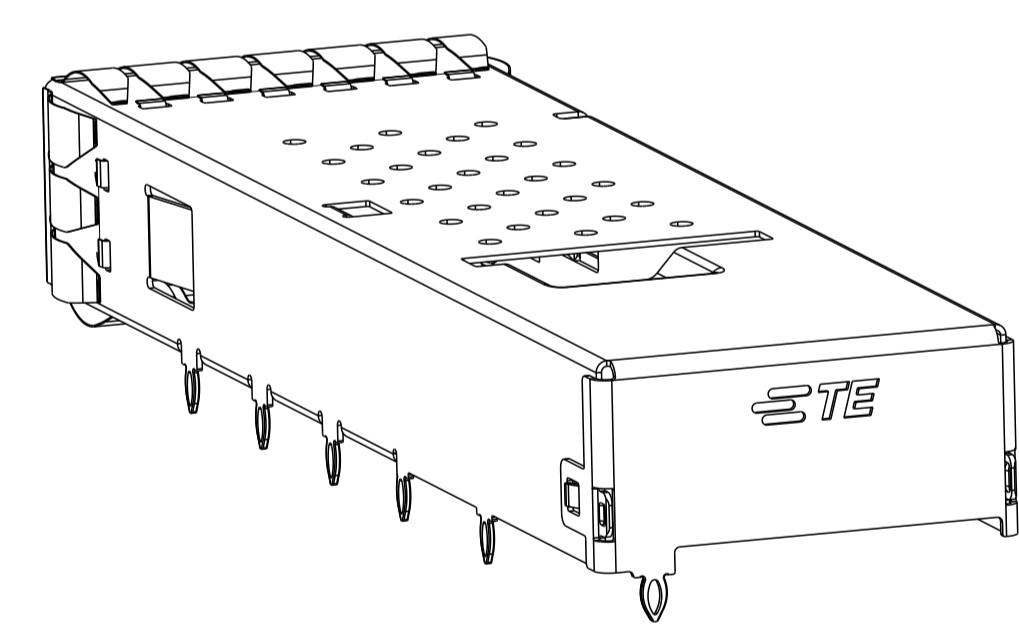
1-2324171-0
SCALE 3:1



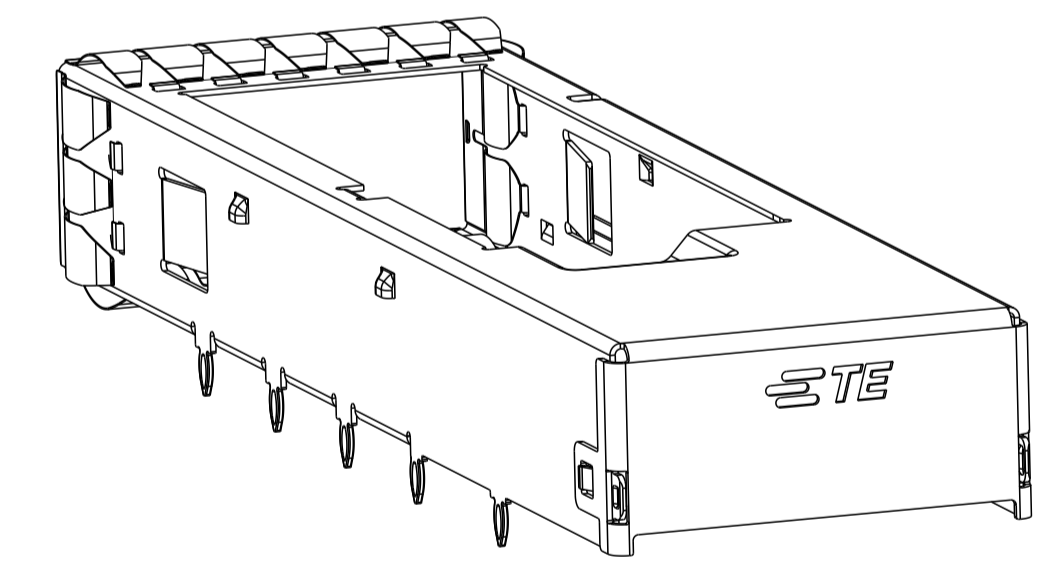
2-2324171-4 AS SHOWN
WITH 2 REAR PINS
W/O CLIP RETENTION FEATURES
SCALE 3:1



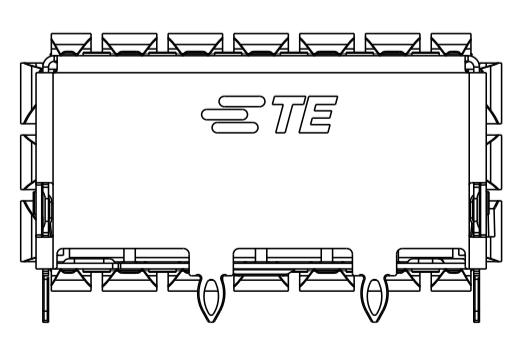
2-2324171-5 AS SHOWN
WITH CLOSED TOP AND 0 REAR PINS
SCALE 3:1



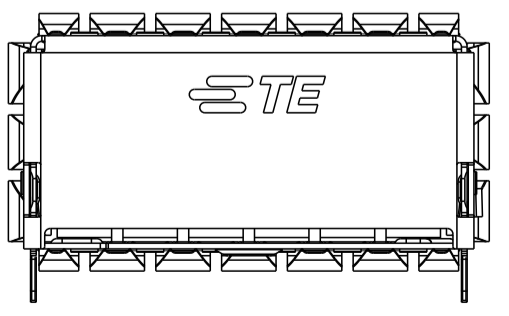
2-2324171-6 AS SHOWN
WITH CLOSED TOP AND 1 REAR PINS
SCALE 3:1



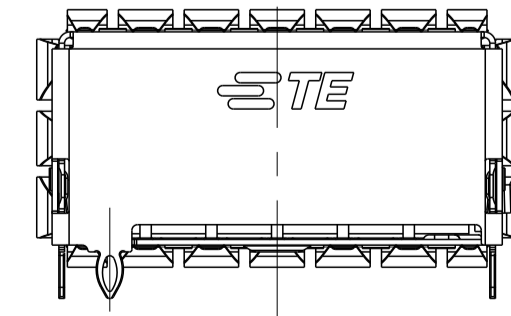
2-2324171-0 AS SHOWN
WITH 0 REAR PINS
SCALE 3:1



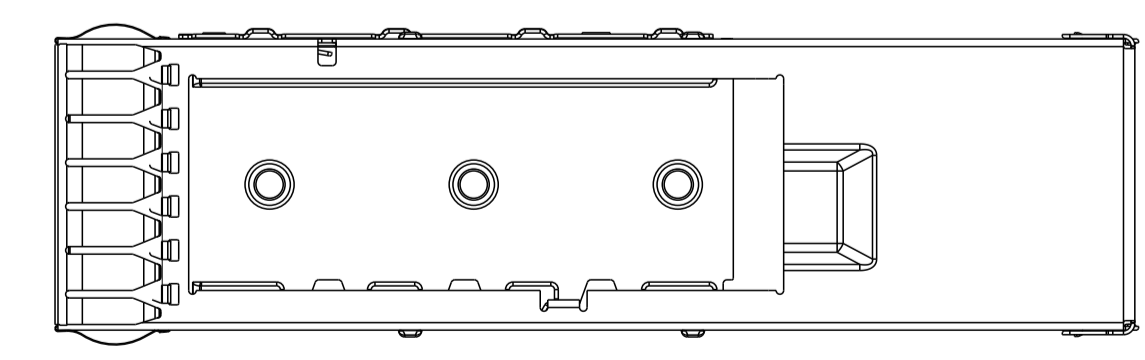
2-2324171-4 AS SHOWN
SCALE 3:1



2-2324171-5 AS SHOWN
SCALE 3:1



2-2324171-6 AS SHOWN
SCALE 3:1

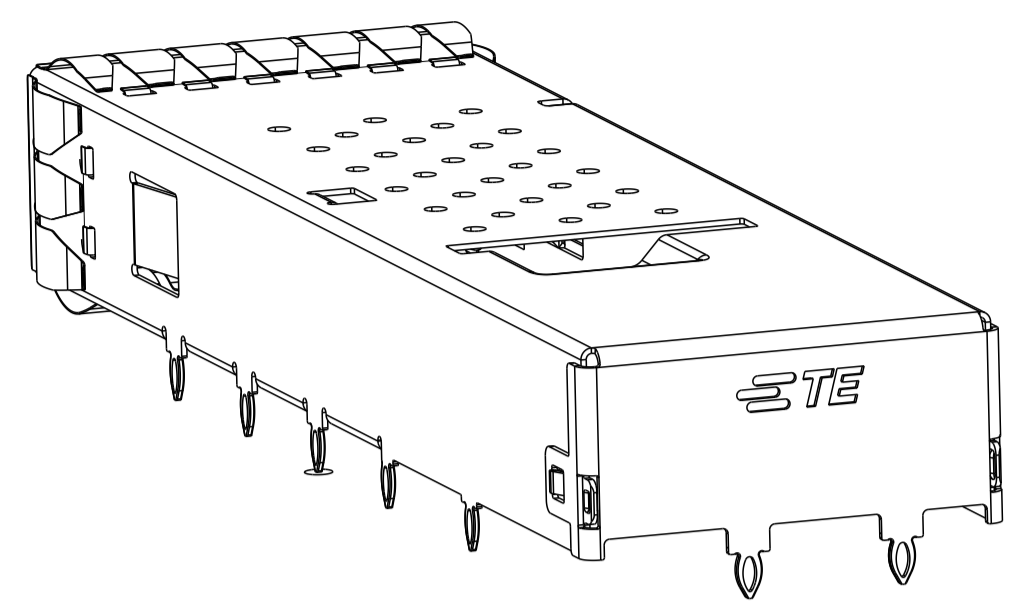


2-2324171-0 AS SHOWN
SCALE 2:1

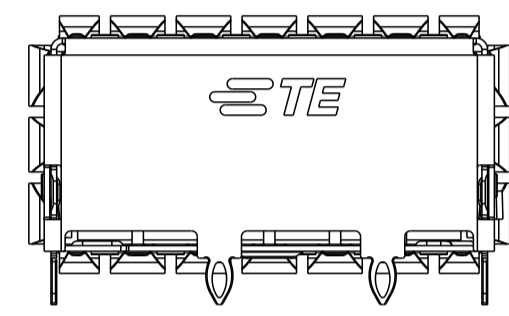
THIS DRAWING IS A CONTROLLED DOCUMENT.		OWN: ARTHUR JIN 24FEB2018	TE Connectivity NAME: CAGE ASSEMBLY, QSFP-DD STANDARD 1X1, WITH EMI SPRING FINGER SIZE: A1 CAGE CODE: - DRAWING NO: C=2324171 RESTRICTED TO: -
DIMENSIONS:		CHK: SEAN HAN 24FEB2018	
TOLERANCES UNLESS OTHERWISE SPECIFIED:		APVD: SEAN HAN 24FEB2018	
0 PLC ±0.25 1 PLC ±0.25 2 PLC ±0.20 3 PLC ±0.10 4 PLC ± ANGLES ±°		PRODUCT SPEC: 108-60122 APPLICATION SPEC: 114-60025 WEIGHT: - CUSTOMER DRAWING	
MATERIAL:	FINISH:	SCALE: 2:1	SHEET: 2 OF 7

THIS DRAWING IS UNPUBLISHED. RELEASED FOR PUBLICATION
COPYRIGHT - ALL RIGHTS RESERVED.

LOC		DIST		REVISIONS			
P	LTN	DESCRIPTION	DATE	DMN	APVD		
-	-	SEE SHEET 1	-	-	-		



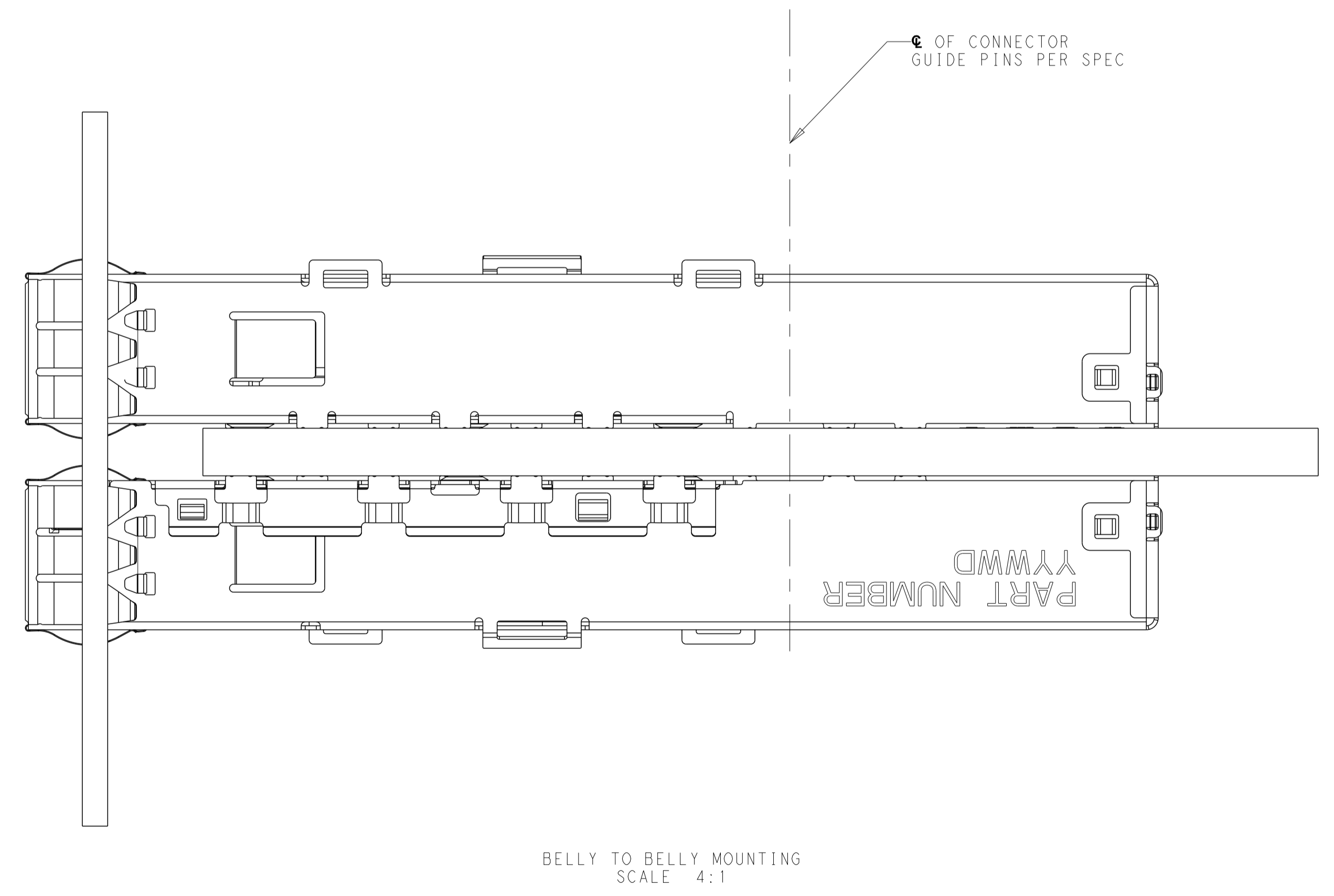
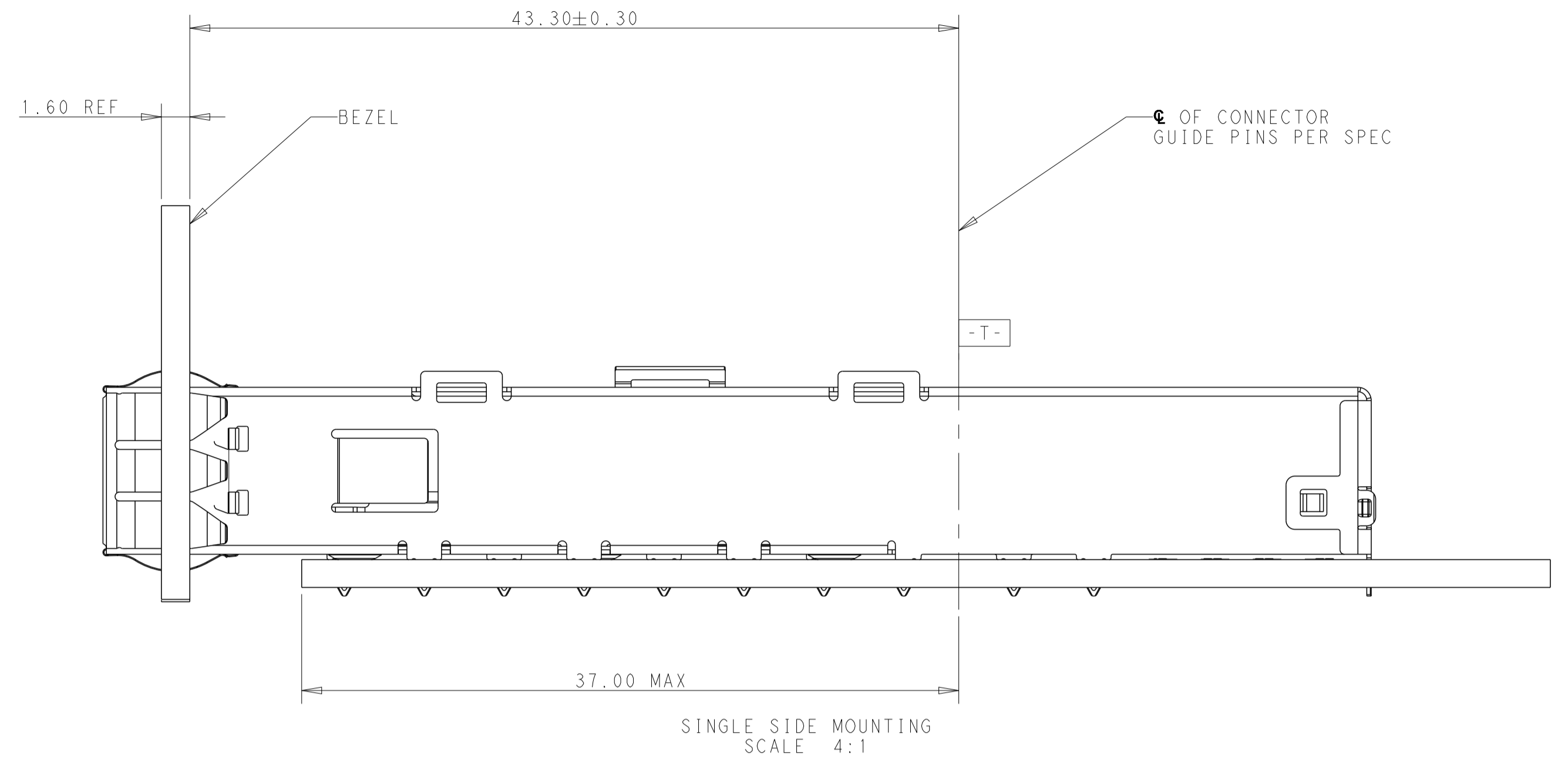
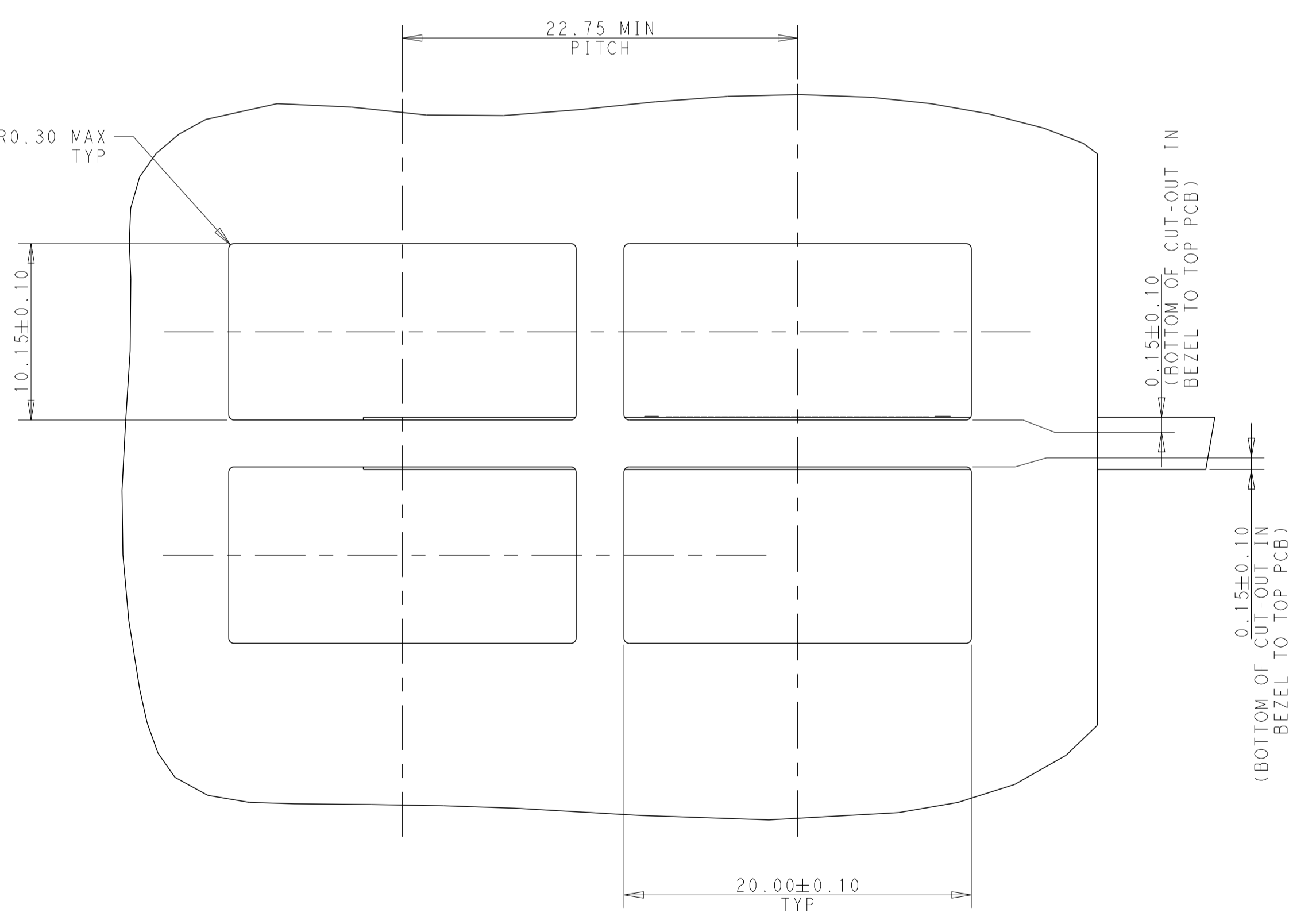
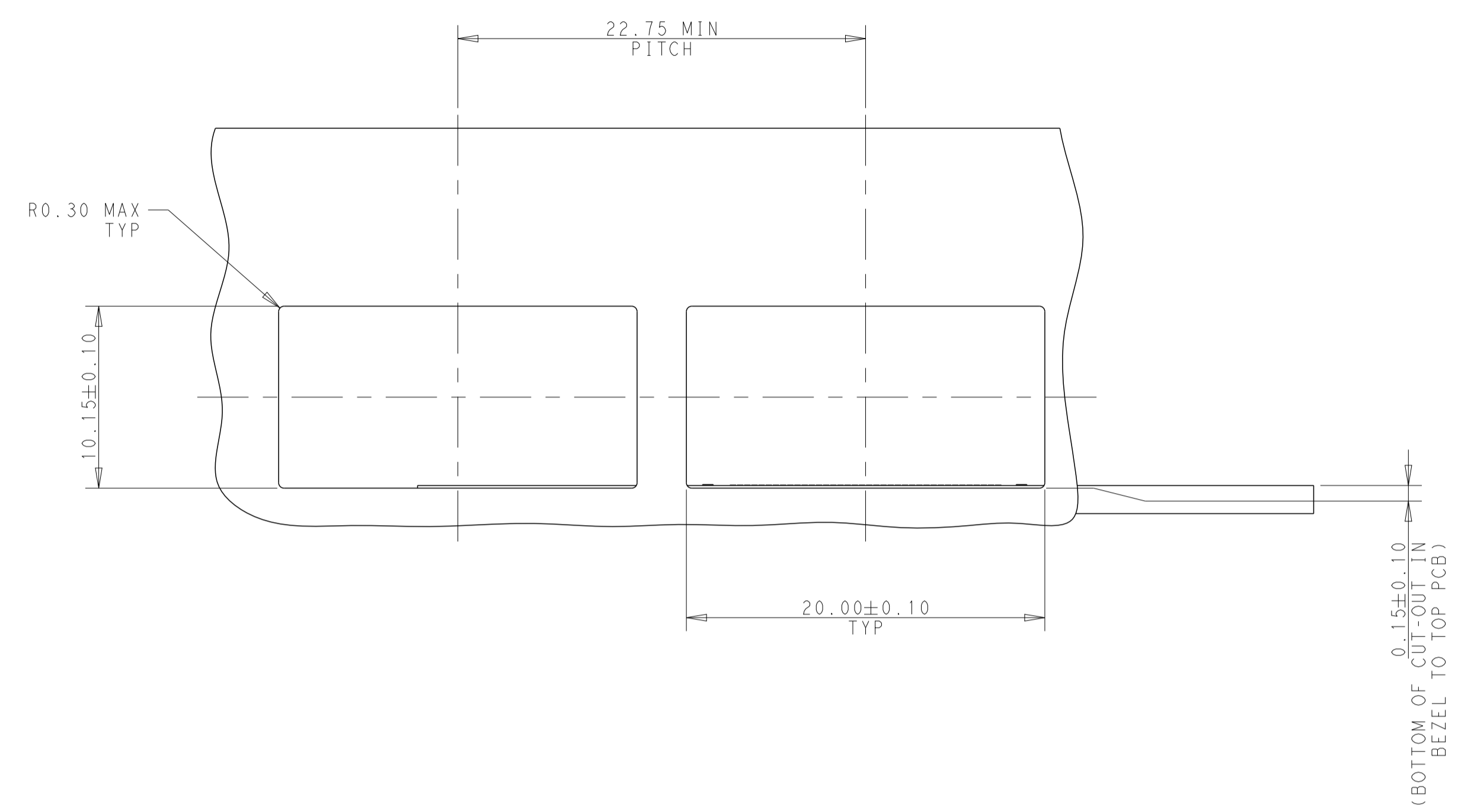
SCALE 3:1



2324171-1 AS SHOWN WITH 2 REAR PINS WITH CLOSED TOP SCALE 3:1

THIS DRAWING IS A CONTROLLED DOCUMENT.		DMN	ARTHUR JLN	24FEB2018	 TE Connectivity
		CHK	SEAN HAN	24FEB2018	
DIMENSIONS:		TOLERANCES UNLESS OTHERWISE SPECIFIED:		NAME	
mm	0 PLC ±0.25 1 PLC ±0.25 2 PLC ±0.25 3 PLC ±0.10 4 PLC ±	APVD	SEAN HAN	24FEB2018	CAGE ASSEMBLY, QSFP-DD STANDARD 1X1, WITH EMI SPRING FINGER
		PRODUCT SPEC		SIZE	
ANGLES		APPLICATION SPEC		CAGE CODE	
FINISH		114-60025		DRAWING NO	
MATERIAL		WEIGHT		RESTRICTED TO	
		CUSTOMER DRAWING		A1 - C=2324171	
				SCALE	2:1
				SHEET	3 OF 7
				REV	A5

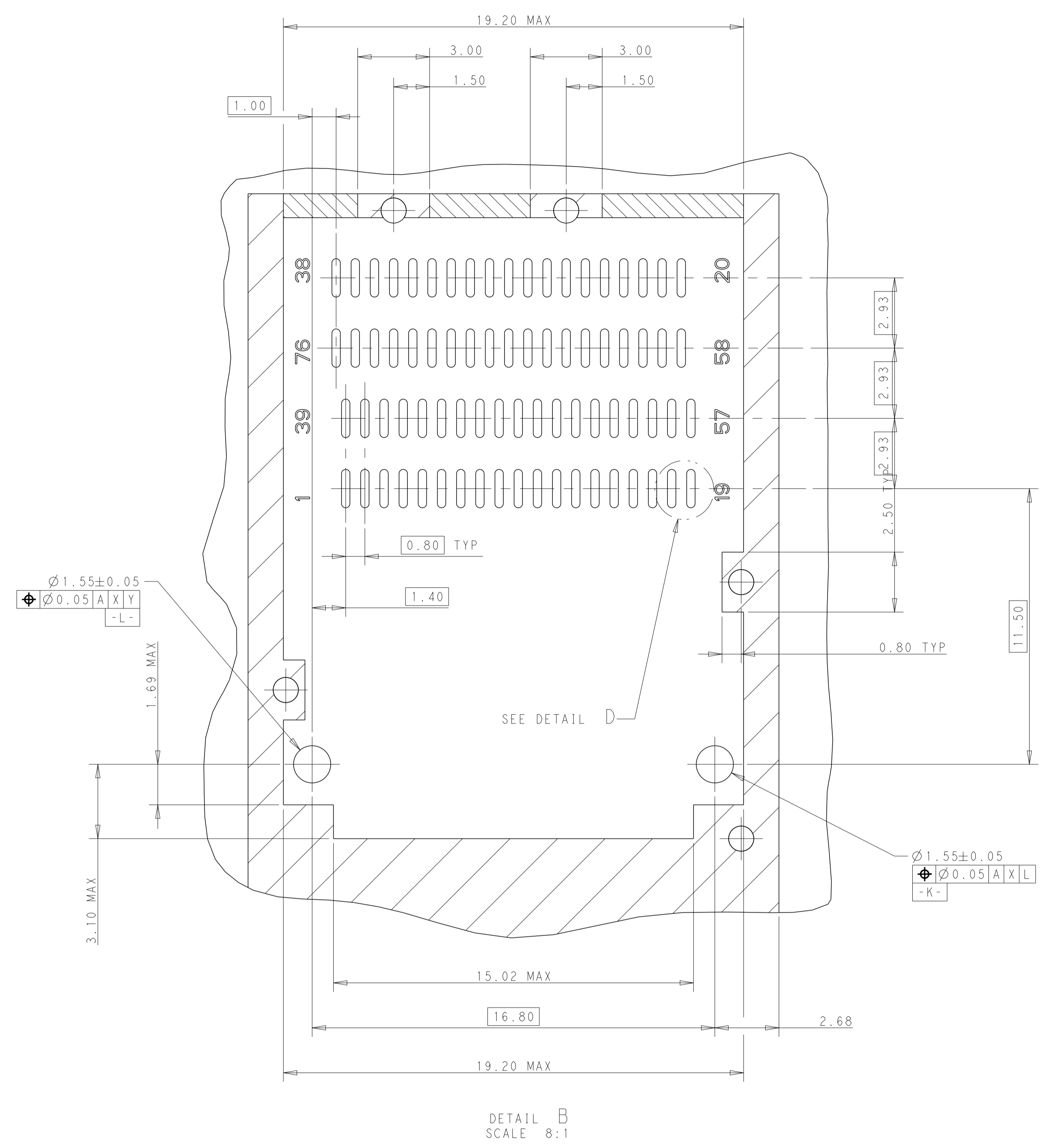
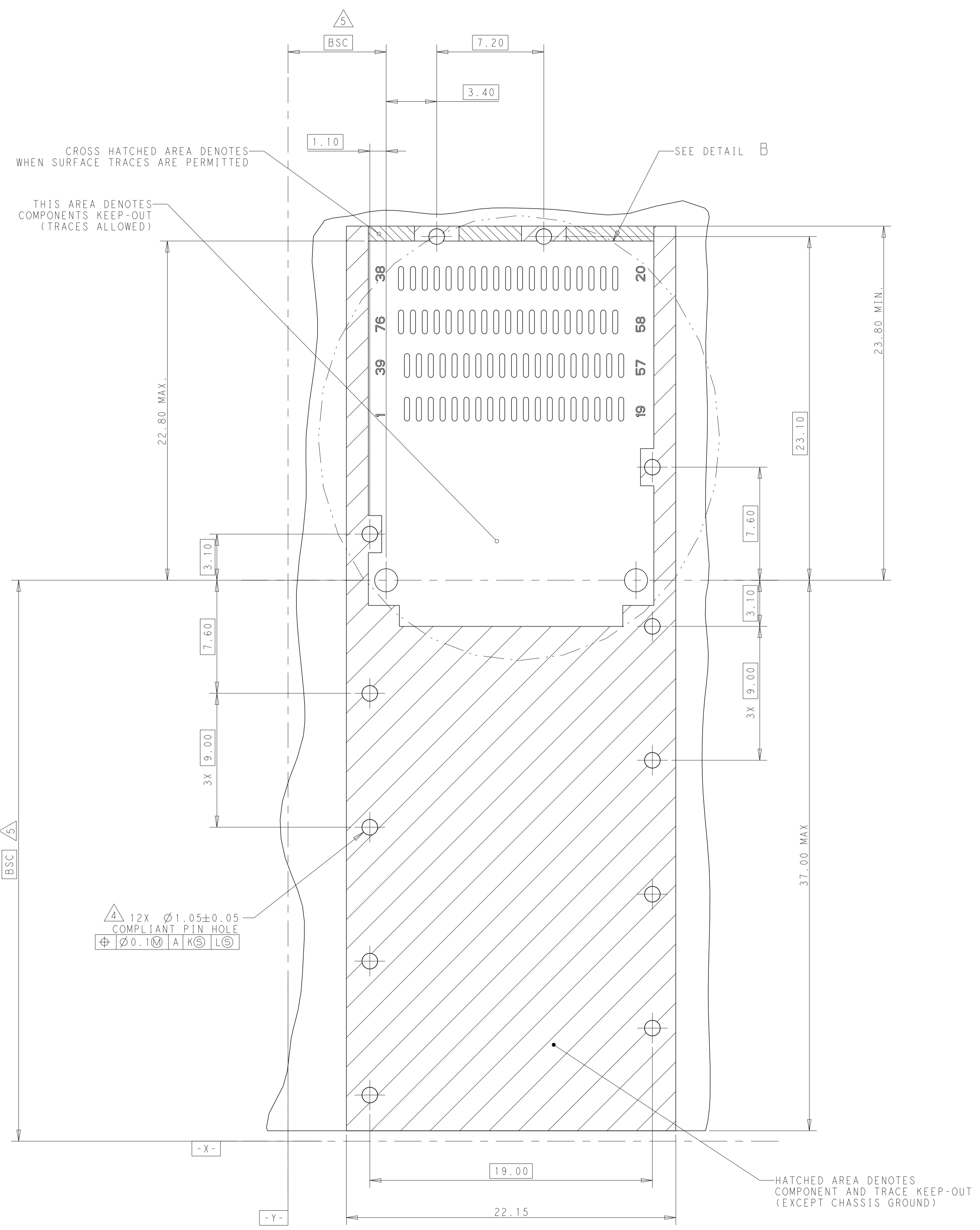
LOC		DIST		REVISIONS			
P	LTN	DESCRIPTION	DATE	DMN	APVD		
-	-	SEE SHEET 1	-	-	-		



THIS DRAWING IS A CONTROLLED DOCUMENT.		DMN	ARTHUR JLN	24FEB2018	TE Connectivity	NAME CAGE ASSEMBLY, QSPF-DD STANDARD 1X1, WITH EMI SPRING FINGER
DIMENSIONS:		CHK	SEAN HAN	24FEB2018		
mm	TOLERANCES UNLESS OTHERWISE SPECIFIED:	APVD	SEAN HAN	24FEB2018	SIZE	A1
0 PLC ±0.25 1 PLC ±0.25 2 PLC ±0.20 3 PLC ±0.10 4 PLC ±0.10 ANGLES ±°	MATERIAL FINISH	PRODUCT SPEC 108-60122 APPLICATION SPEC 114-60025 WEIGHT	SCALE 2:1	SHEET 4	OF 7	REV A5
MATERIAL		CUSTOMER DRAWING		RESTRICTED TO C=2324171		

LOC	DIST	REV	DATE	BY	APPV
-	-	1			

REVISIONS		DATE	BY	APPV
1	SEE SHEET 1			



12X $\varnothing 1.05 \pm 0.05$
 COMPLIANT PIN HOLE
 $\varnothing 0.1$ A K L

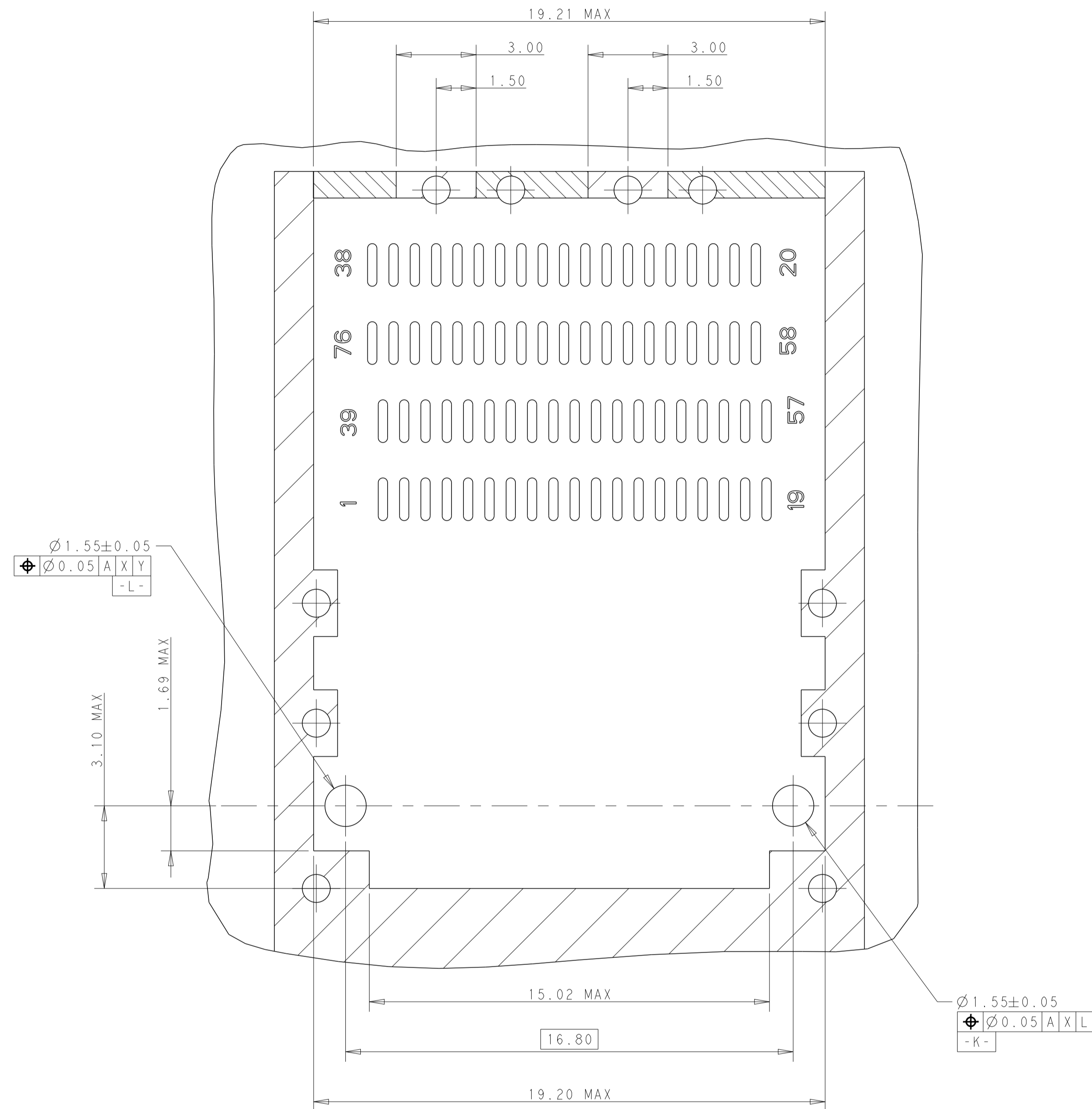
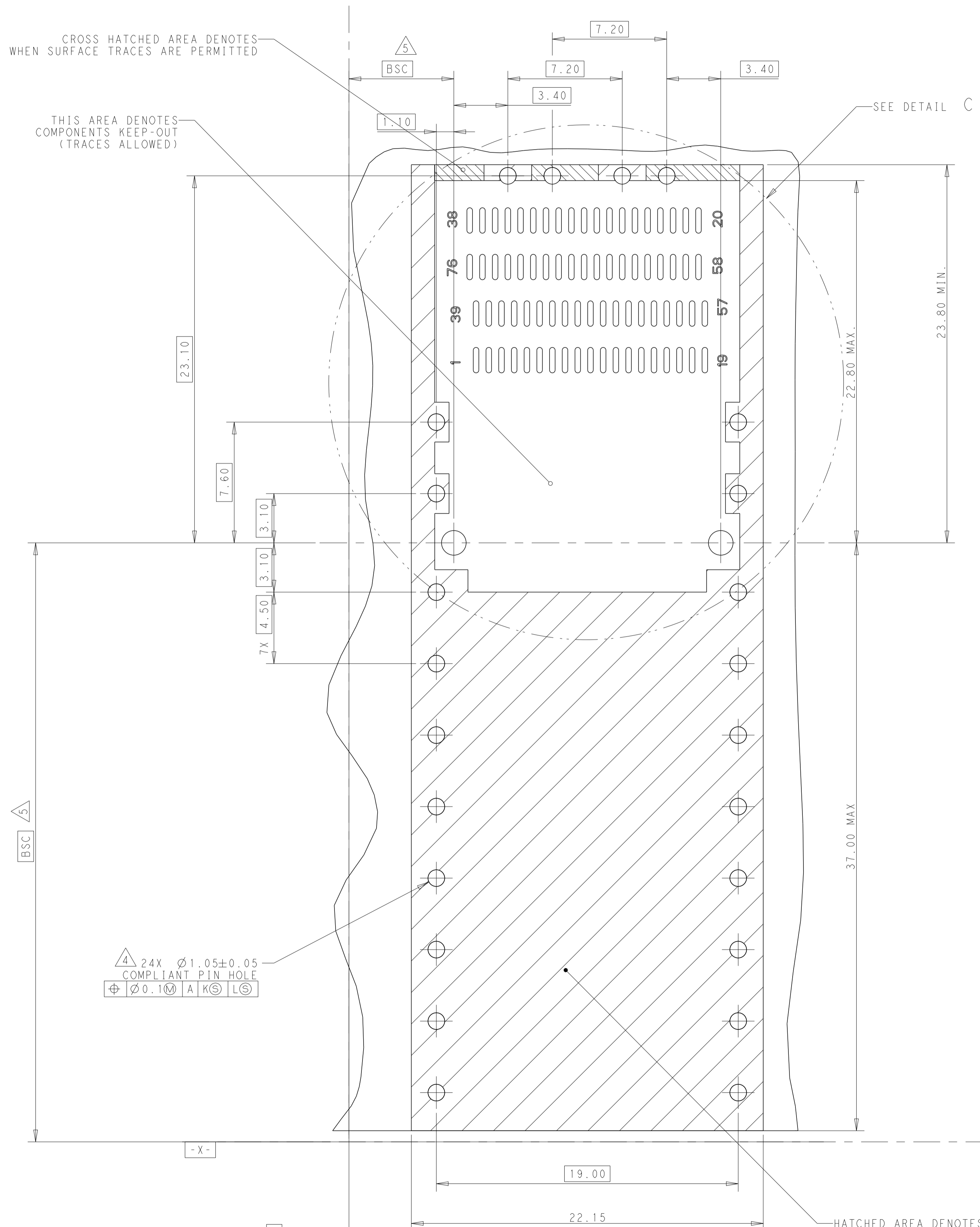
RECOMMENDED PCB LAYOUT
 SINGLE TYPE OF 2 REAR HOLES OF LEGS
 PCB TOLERANCE: ± 0.05
 SCALE 6:1

THIS DRAWING IS A CONTROLLED DOCUMENT.

DIMENSIONS:	TOLERANCES UNLESS OTHERWISE SPECIFIED:	OWN: ARTHUR JLN 24FEB2018	CHK: SEAN HAN 24FEB2018	APVD: SEAN HAN 24FEB2018	NAME: CAGE ASSEMBLY, QSPF-DD STANDARD 1X1, WITH EMI SPRING FINGER
mm	0 PLC ± 0.25 1 PLC ± 0.25 2 PLC ± 0.25 3 PLC ± 0.25 4 PLC ± 0.25 ANGLES ± 0.10	PRODUCT SPEC: 108-60122	APPLICATION SPEC: 114-60025	WEIGHT: -	RESTRICTED TO: -
MATERIAL:	FINISH:	SCALE: 2:1	SHEET: 5 OF 7	REV: A5	CUSTOMER DRAWING

STE TE Connectivity

LOC		DIST		REVISIONS			
P	LTN	DESCRIPTION	DATE	OWN	APVD		
-	-	SEE SHEET 1	-	-	-		

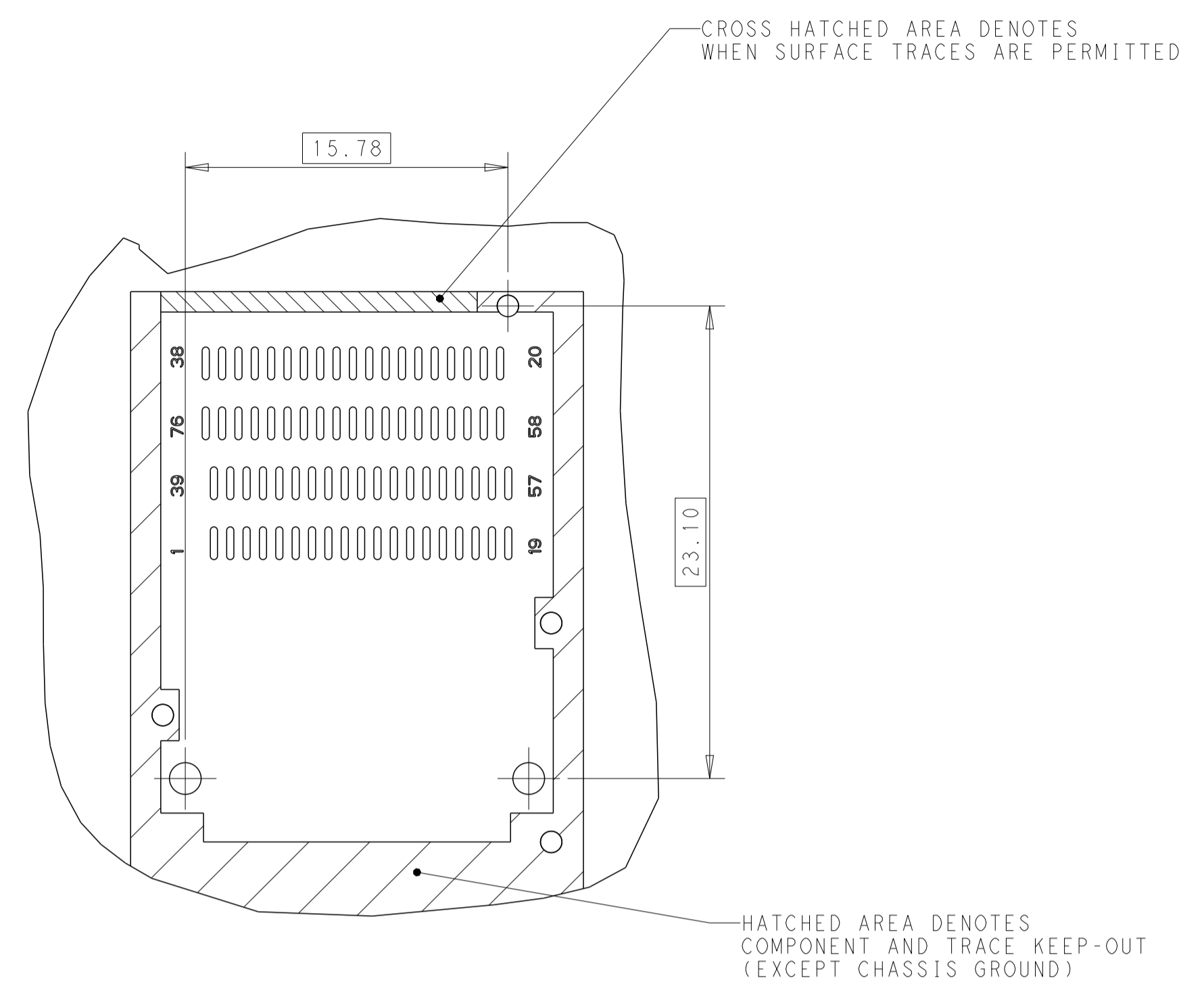


DETAIL C
SCALE 8:1

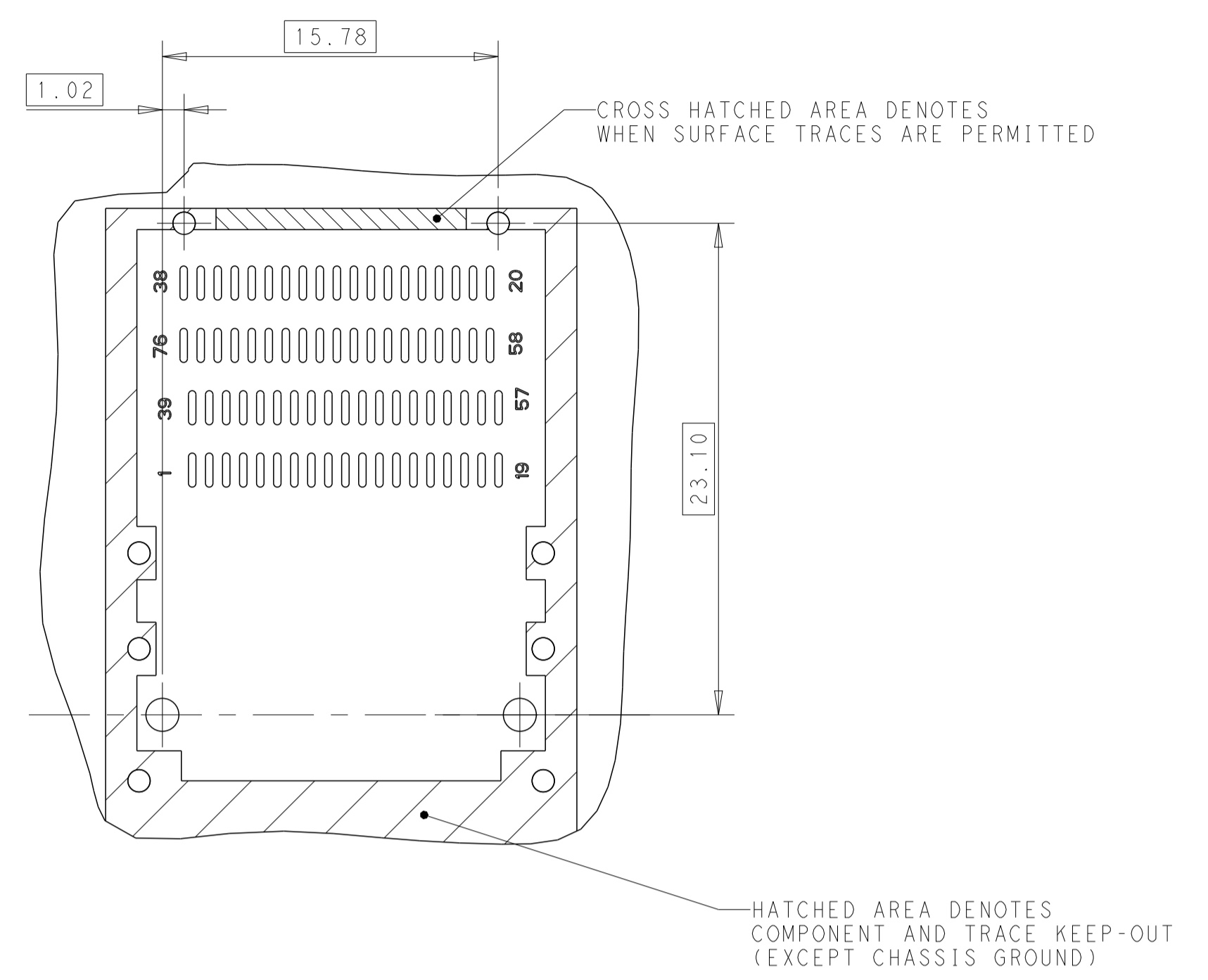
RECOMMENDED PCB LAYOUT
 BELLY TO BELLY TYPE OF 2 REAR HOLES OF LEGS
 PCB TOLERANCE: ±0.05
 SCALE 6:1

THIS DRAWING IS A CONTROLLED DOCUMENT.		OWN: ARTHUR JIN 24FEB2018	TE Connectivity
DIMENSIONS: mm		CHK: SEAN HAN 24FEB2018	
TOLERANCES UNLESS OTHERWISE SPECIFIED:		APVD: SEAN HAN 24FEB2018	NAME: CAGE ASSEMBLY, QSPF-DD STANDARD 1X1, WITH EMI SPRING FINGER
0 PLC ±0.25		PRODUCT SPEC: 108-60122	
1 PLC ±0.25		APPLICATION SPEC: 114-60025	
2 PLC ±0.20		WEIGHT: -	
3 PLC ±0.20		SIZE: A1	RESTRICTED TO: -
4 PLC ±0.10		SCALE: 2:1	
ANGLES: ±°		SHEET: 6 OF 7	
FINISH: -		REV: A5	

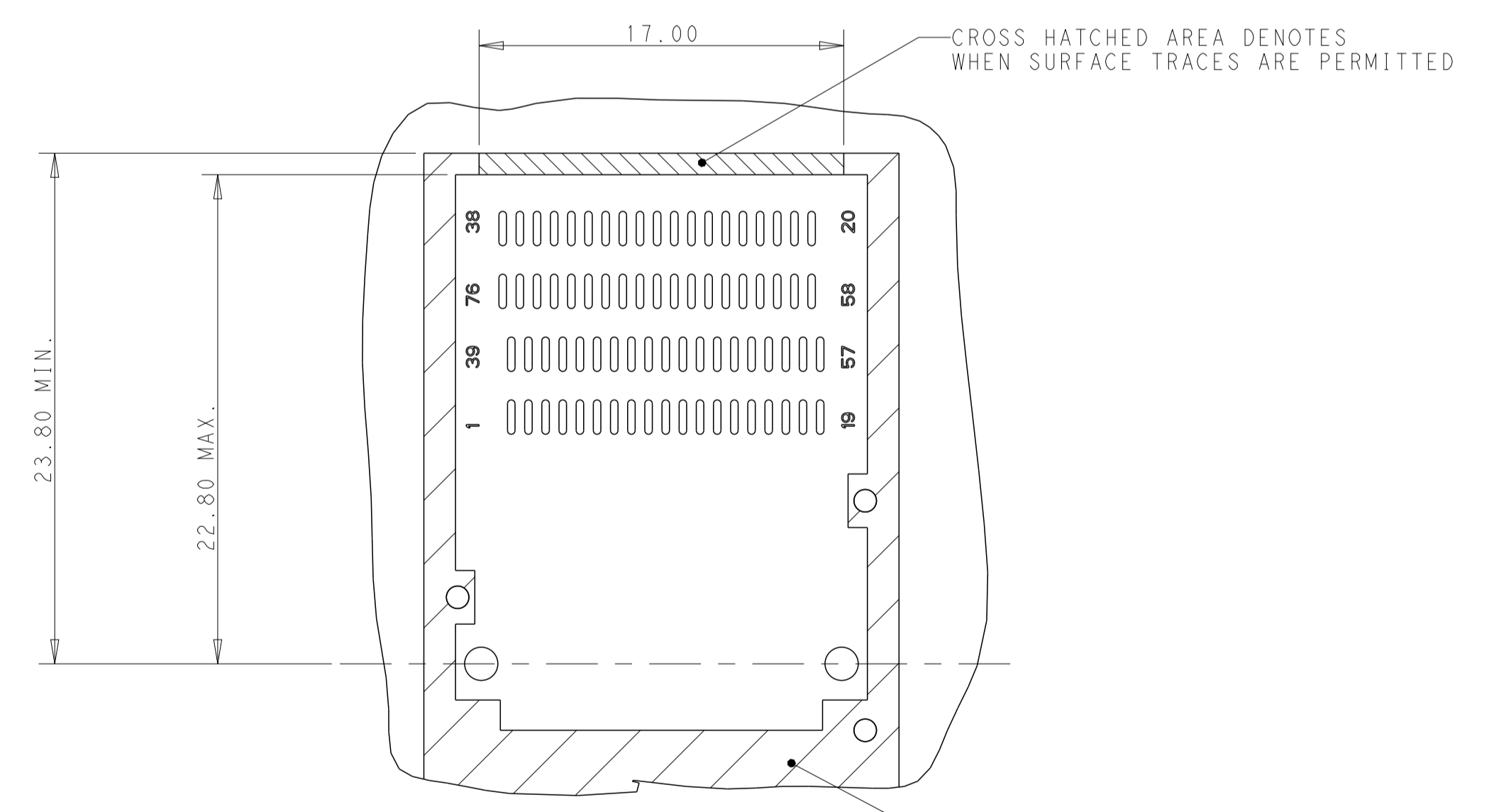
LOC		DIST		REVISIONS			
P	LTN	DESCRIPTION	DATE	DMN	APVD		
-	-	SEE SHEET 1	-	-	-		



RECOMMENDED PCB LAYOUT
 SINGLE TYPE OF 1 REAR HOLE
 PCB TOLERANCE: ± 0.05
 SCALE 4:1



RECOMMENDED PCB LAYOUT
 BELLY TO BELLY TYPE OF 1 REAR HOLE
 PCB TOLERANCE: ± 0.05
 SCALE 4:1



RECOMMENDED PCB LAYOUT
 SINGLE TYPE OF 0 REAR HOLES
 PCB TOLERANCE: ± 0.05
 SCALE 4:1

THIS DRAWING IS A CONTROLLED DOCUMENT.		DMN	ARTHUR JLN	24FEB2018	TE Connectivity
		CHK	SEAN HAN	24FEB2018	
		APVD	SEAN HAN	24FEB2018	NAME CAGE ASSEMBLY, QSPF-DD STANDARD 1X1, WITH EMI SPRING FINGER
		PRODUCT SPEC			
		APPLICATION SPEC			SIZE A1
		WEIGHT			
		CUSTOMER DRAWING			SCALE 2:1 SHEET 7 OF 7 REV A5