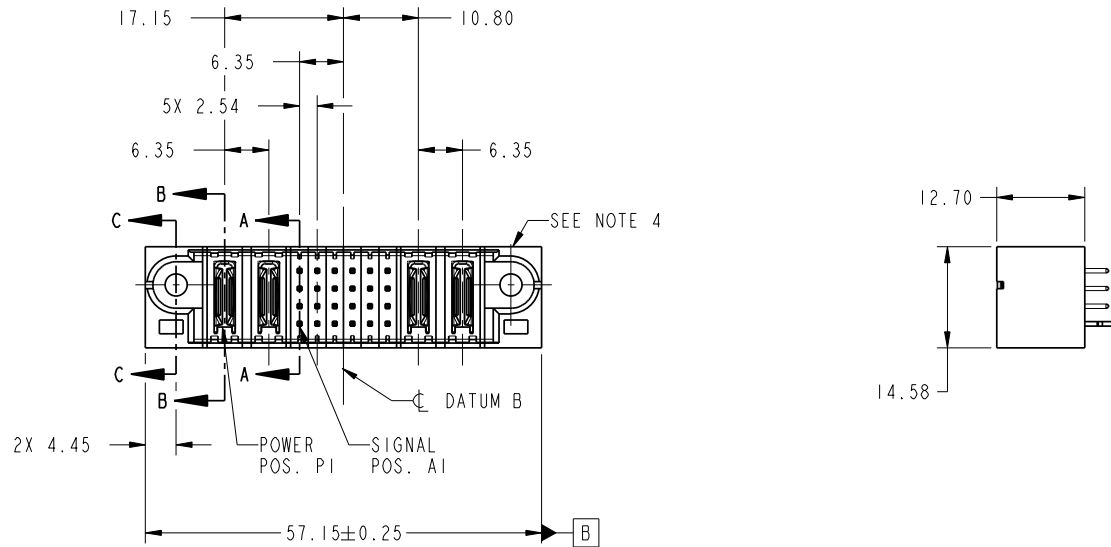


Tous droits strictement réservés. Reproduction ou communication a des tiers interdite sous quelque forme que ce soit sans autorisation écrite du propriétaire. Propriété de c FCI. Droits de reproduction FCI.



All rights strictly reserved. Reproduction or issue to third parties in any form whatever is not permitted without written authority from the proprietor. Property of FCI. Copyright FCI.

PRODUCT NO.	ROWS	POWER		SIGNAL						POWER			
		E1	P1	P2	1	2	3	4	5	6	P3	P4	E2
51952-184-- NOTE ③	D C B A												



CODE	DIM "M" MATING LENGTH	CONTACT TYPE
PA	[N/A]	POWER
E	[6.86]	SIGNAL
HA	[N/A]	HOLD-DOWN
H	[5.59]	SIGNAL

mat'l code				tolerances unless otherwise specified		CUSTOMER	
lfr	ecn no.	dr	date	linear	0.X ±0.5	COPY	
A	DG11-0036	HZ	02/15/11	angles	0.XX ±0.25	projection	
					0.XXX ±0.1	MM	
				dr	0° ±2°	scale	
				enr	Helen Zhang 02/15/11	1:1	
				chr	Anson Liu 02/15/11	product family	
				appd	PM ZHENG 02/15/11	PwrBlade	
					JOSEPH HSIA 02/15/11	code	
sheet index	revision sheet	A	A	A	A	size	
		1	2	3	4	dwg no	
						213	
						sheet	
						1 of 4	

**FCI** www.fciconnect.com

title 2P+24S+2P  
VERTICAL SOLDER HEADER

product family PwrBlade code 213

size A dwg no 51952-184 sheet 1 of 4

cage code 22526

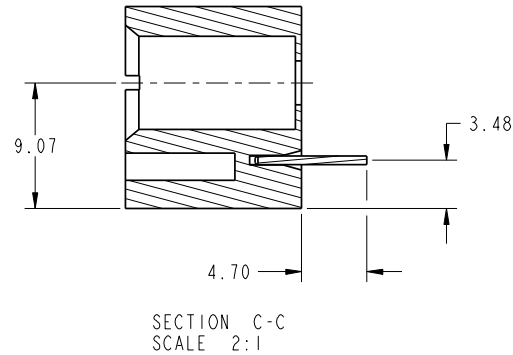
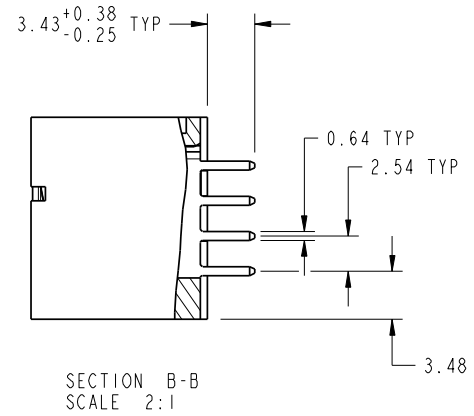
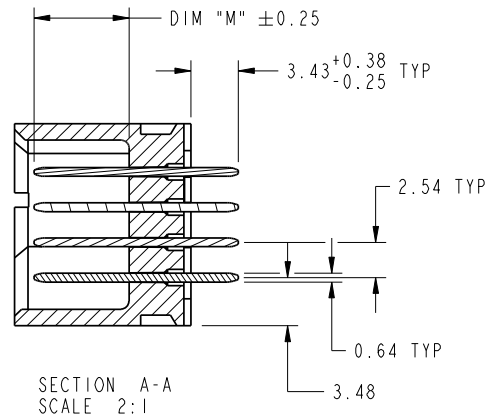
Pro/E

Tous droits strictement réservés. Reproduction ou communication a des tiers interdite sous quelque forme que ce soit sans autorisation écrite du propriétaire. Propriete de c FCI. Droits de reproduction FCI.

All rights strictly reserved. Reproduction or issue to third parties in any form whatever is not permitted without written authority from the proprietor. Property of FCI. Copyright FCI.



PRODUCT NUMBER  
51952-184\_\_  
NOTE 3



mat'l code				tolerances unless otherwise specified		CUSTOMER		FCI	
lfr	ecn no.	dr	date	linear	0.X ±0.5	COPY		www.fciconnect.com	
A				linear	0.XX ±0.25	projection		title	
				angles	0.XXX ±0.1			2P+24S+2P VERTICAL SOLDER HEADER	
				dr	0° +2°			product family PwrBlade code	
				enr	Helen Zhang 02/15/11	scale		size	
				chr	Anson Liu 02/15/11	1:1		dwg no	
				appd	PM ZHENG 02/15/11			A 51952-184	
					JOSEPH HSIA 02/15/11			sheet	
sheet index	revision sheet							2 of 4	

cage code 22526

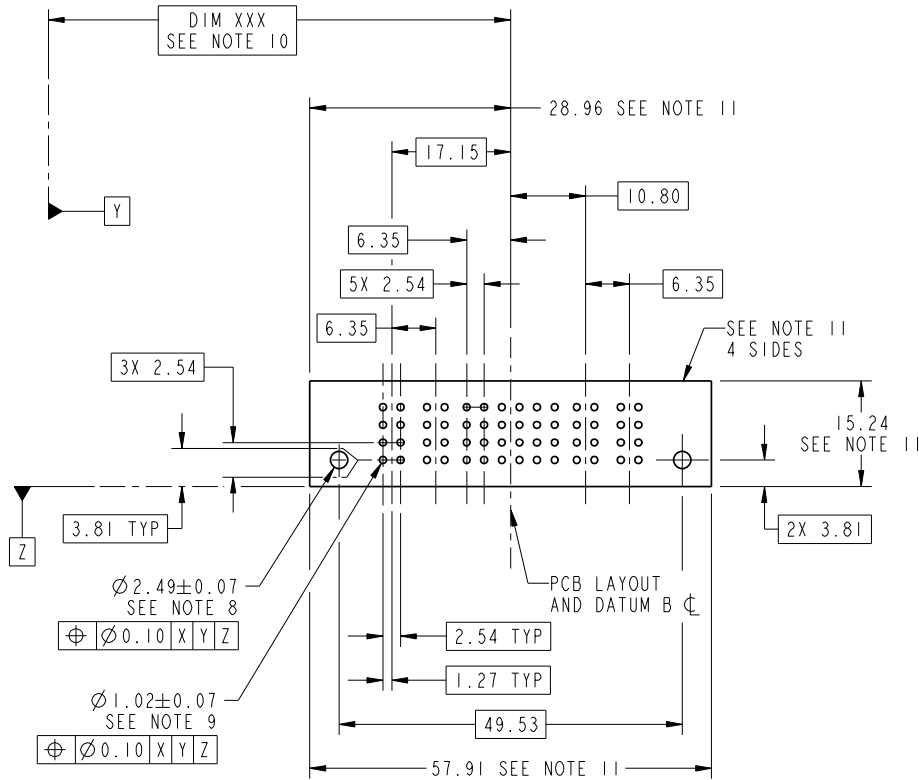
Pro/E

Tous droits strictement réservés. Reproduction ou communication a des tiers interdite sous quelque forme que ce soit sans autorisation écrite du propriétaire. Propriété de c FCI. Droits de reproduction FCI.



All rights strictly reserved. Reproduction or issue to third parties in any form whatever is not permitted without written authority from the proprietor. Property of FCI. Copyright FCI.

PRODUCT NUMBER  
51952-184\_\_  
NOTE 3



RECOMMENDED PCB LAYOUT

mat'l code				tolerances unless otherwise specified		CUSTOMER		FCI	
lfr	ecn no.	dr	date	linear	0.X ± 0.5	COPY		www.fciconnect.com	
A					0.XX ± 0.25	projection		title	
				angles	0.XXX ± 0.1			2P+24S+2P VERTICAL SOLDER HEADER	
				dr	Helen Zhang 02/15/11	MM		product family PwrBlade code	
				enr	Anson Liu 02/15/11			size 213	
				chr	PM ZHENG 02/15/11	scale 1:1		dwg no 51952-184 sheet 3 of 4	
				appd	JOSEPH HSIA 02/15/11			A	
sheet index	revision sheet							cage code 22526	

Pro/E

cage code 22526

Tous droits strictement réservés. Reproduction ou communication a des tiers interdite sous quelque forme que ce soit sans autorisation écrite du propriétaire. Propriete de c FCI. Droits de reproduction FCI.



All rights strictly reserved. Reproduction or issue to third parties in any form whatever is not permitted without written authority from the proprietor. Property of FCI. Copyright FCI.

**PRODUCT NUMBER**  
51952-184\_  
NOTE 3

**NOTES:**

1. DIMENSIONS AND TOLERANCES ARE IN ACCORDANCE WITH ASME Y14.5M, 1994 UNLESS OTHERWISE SPECIFIED.

**CONNECTOR NOTES:**

- 2 HOUSING MATERIAL: UL 94 V-0 GLASS FILLED HIGH-TEMP THERMOPLASTIC  
POWER CONTACT MATERIAL: COPPER ALLOY  
SIGNAL PIN MATERIAL: COPPER ALLOY
- 3. SEE ITEM 1 & 2 IN PRINT 10064183 FOR PLATING SPEC OF 51952-184 AND 51952-184LF RESPECTIVELY.

4 MANUFACTURER'S NAME, DATE CODE AND OPTIONAL P/N TO APPEAR ON THIS SURFACE. THE P/N CAN BE OMITTED IF THERE IS NOT ENOUGH SPACE ON THIS SURFACE.

5. PRODUCT SPECIFICATION GS-12-149.  
APPLICATION SPECIFICATION BUS-20-067.

6. PACKAGED IN TRAYS.

**PCB NOTES:**

- 7. ALL HOLE DIAMETERS ARE FINISHED HOLE SIZE.
- 8. MOUNTING HOLES, WHERE APPLICABLE, ARE UNPLATED.

9  $\varnothing 1.151 \pm 0.025$  DRILLED HOLES PLATED WITH 0.008 MIN SnPb OR Sn OVER .001 [0.03] TO 0.08 Cu PLATING TO ACHIEVE  $\varnothing 1.02 \pm 0.07$  HOLE.

10 "DIM XXX" TO BE DETERMINED BY THE CUSTOMER.

11 CONNECTOR KEEP-OUT ZONE.

mat'l code				tolerances unless otherwise specified		CUSTOMER		FCI	
lfr	ecn no.	dr	date	linear	0.X ± 0.5	COPY		www.fciconnect.com	
A				linear	0.XX ± 0.25	projection		title	
				angles	0.XXX ± 0.1			2P+24S+2P VERTICAL SOLDER HEADER	
				dr	0° ± 2°	MM		product family PwrBlade code	
				enr	Helen Zhang 02/15/11	←		size 213	
				chr	Anson Liu 02/15/11	scale		dwg no 4 of 4	
				appd	PM ZHENG 02/15/11	1:1		sheet	
					JOSEPH HSIA 02/15/11	A		51952-184	
sheet index	revision sheet								

cage code 22526

Pro/E