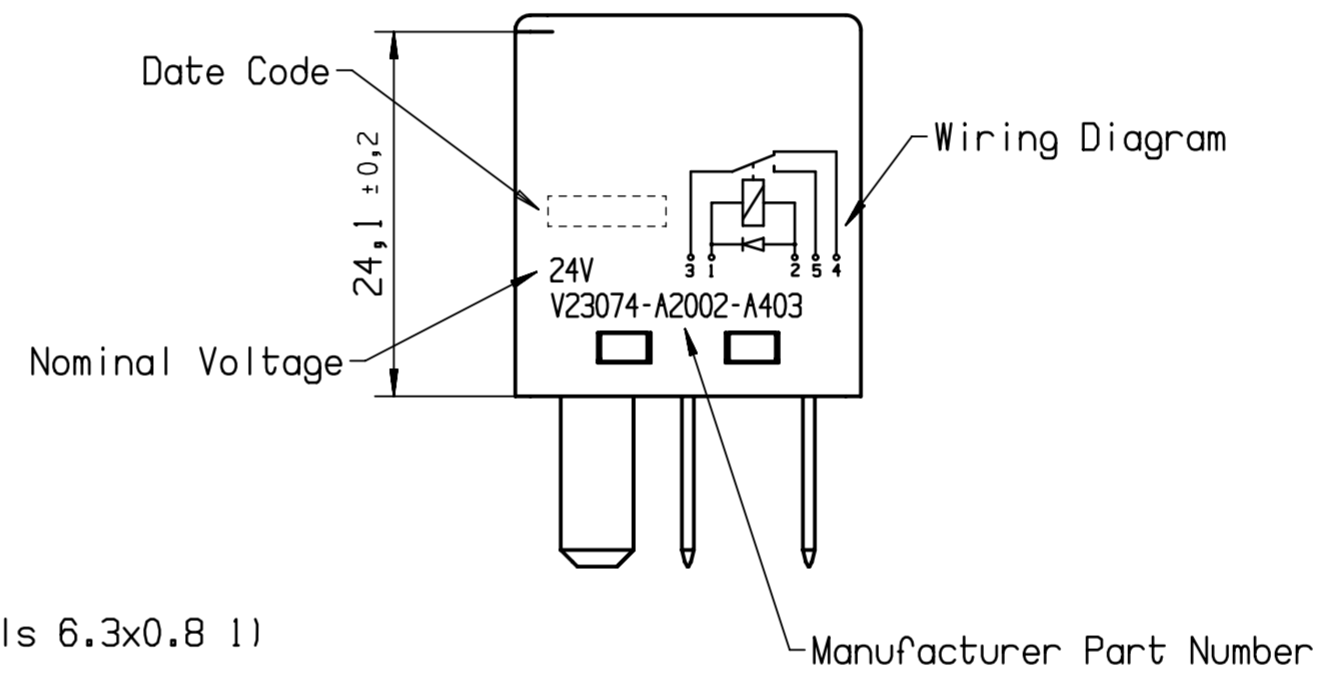
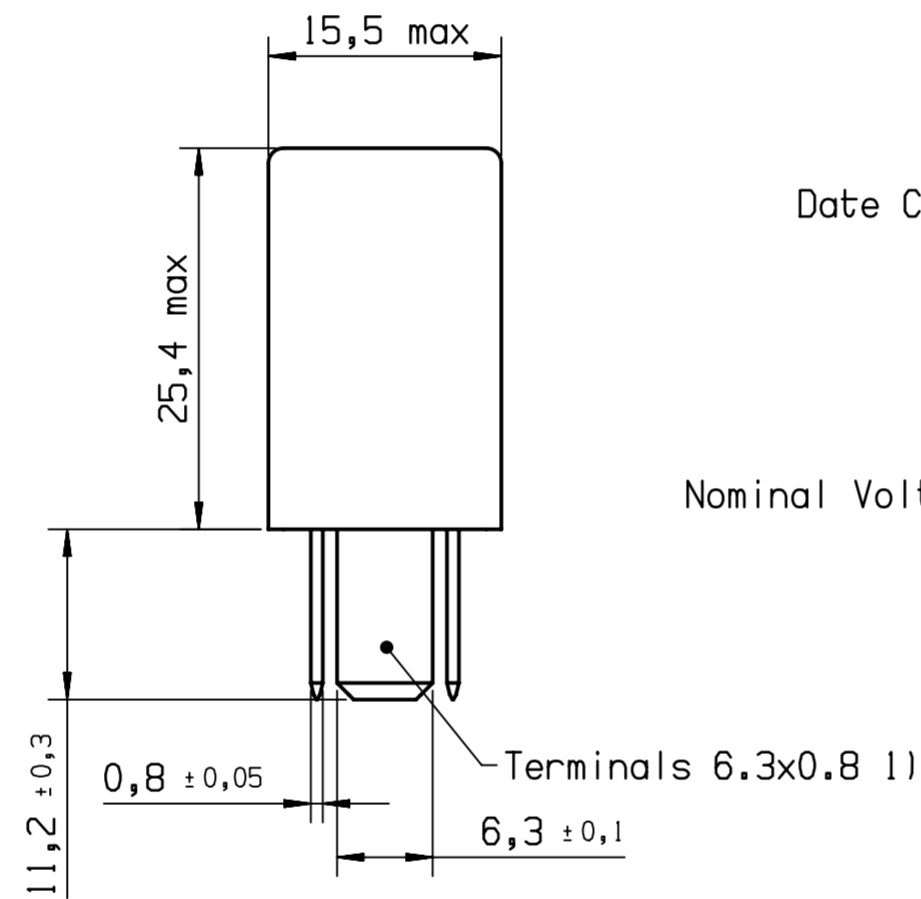
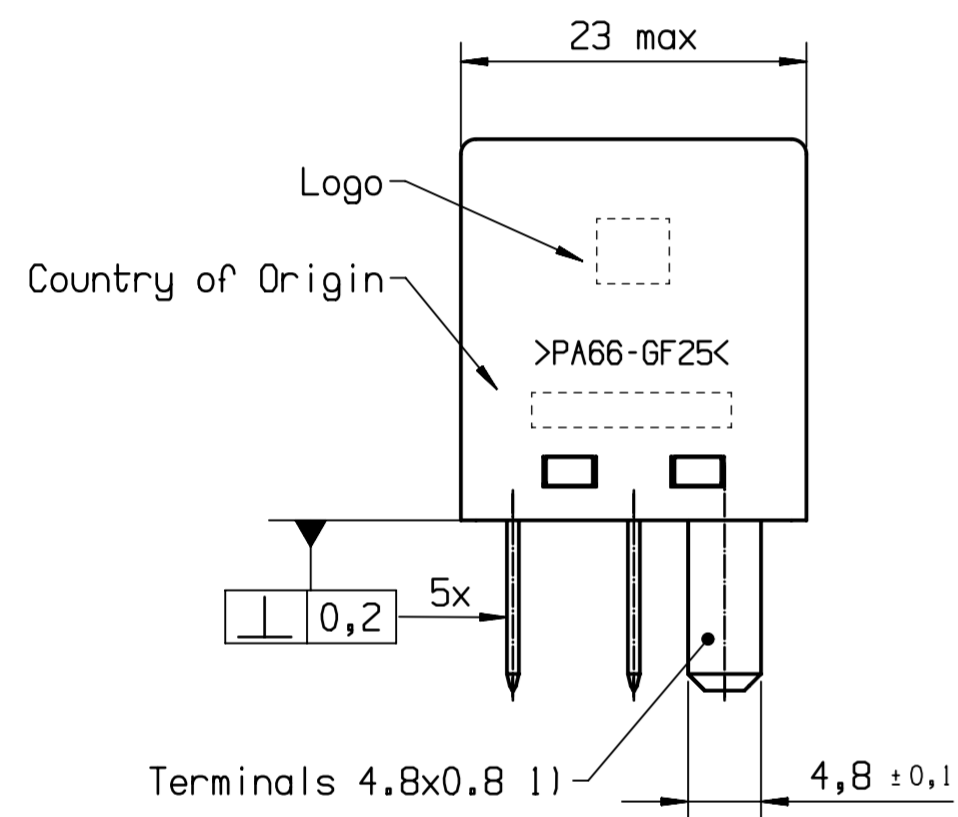
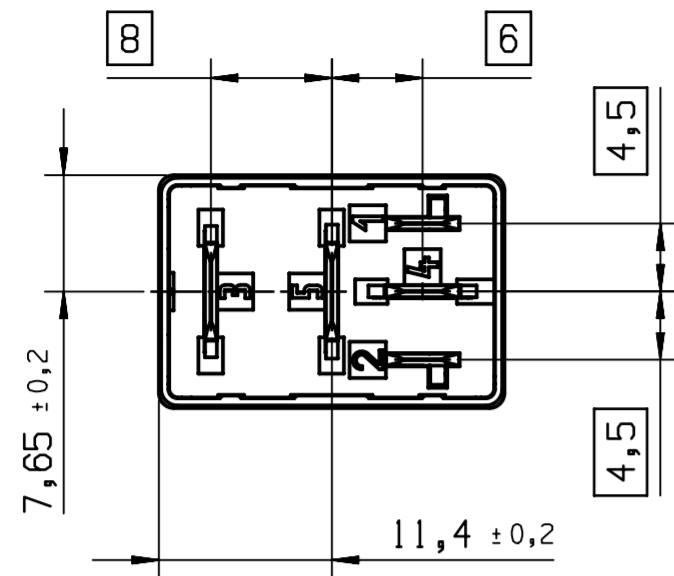


Positional Tolerance: $\pm 0,15$

Terminal Layout
Bottom View



Electrical Characteristics:

Coil Resistance	: 430 Ohm
Nominal Voltage	: 24V
Pull-in Voltage	: 14,4V *)
Dropout Voltage	: 3,4V *)
Temperature Range	: -40° to +125° C

*) Coil at ambient Temperature

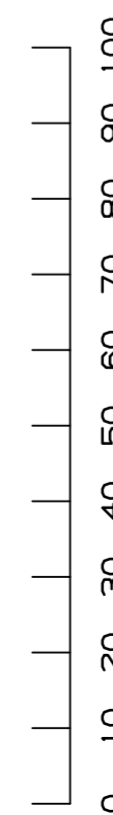
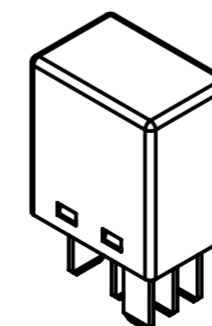
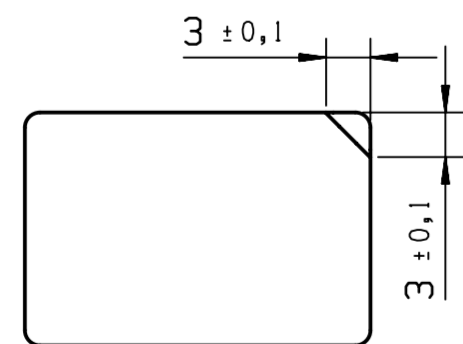
Terminal Shape (1,2,4) with 4.8x0.8
Terminal Shape (3,5) with 6.3x0.8

1) Tray package of 500 pcs = 100 pcs x 5 trays

	Material	Finish	Color
Cover	PA66-GF25		Black
Base	PA66-GF25		Black
Terminal 1, 2	CuSn	Sn 2..4 μm	
Terminal 3, 4, 5	ECu57	Sn 2..4 μm	

CUT EDGES WITHOUT TIN PLATING ALLOWED

Relay Reference	Part Number	Notes
V23074-A2002-A403	6-1393292-3	EV-CBOX
V23074-A2002-A403	2354263-1	SZ-CBOX
V23074-A2002-A403	3-1904124-8	EV-TRAY; 1)
V23074-A2002-A403	2337037-2	SZ-TRAY; 1)



<p>PROPRIETARY</p> <p>THE REPRODUCTION, TRANSMISSION OR USE OF THIS DOCUMENT OR IT'S CONTENTS IS NOT PERMITTED WITHOUT EXPRESSED WRITTEN AUTHORITY. OFFENDERS WILL BE LIABLE FOR ALL DAMAGES. ALL RIGHTS, INCLUDING RIGHTS CREATED BY REGISTERED PATENT(S) GRANTED FOR A UTILITY MODEL OR DESIGN, ARE RESERVED.</p>		<p>CHANGES TO THIS DRAWING MUST BE DONE ONLY IN CAD</p>	<p>PAPER SIZE</p> <p>A2</p>
<p>APPLICABLE SPEC.:</p>		<p>FINISH</p>	
<p>TOLERANCE UNLESS SPECIFIED OTHERWISE</p>		<p>DIMENSIONS APPLY</p>	<p>PLATING</p>
<p>DIMENSIONS IN MM</p>		<p>SCALE</p> <p>2:1; 5:1</p>	<p>WEIGHT</p>
<p>DATE</p> <p>18MAR2014</p>		<p>MATERIAL</p> <p>---</p>	
<p>DWN. HMF</p>		<p>PART NAME</p> <p>MICRO A RELAY</p>	
<p>APP.</p>		<p>24V - DIODE</p>	
<p>REV.</p>		<p>DWG NO.</p> <p>V23074-A2002-A403</p>	
<p>A3 ECO-21-004021 26MAR2021 HMF</p>		<p>SHT. 1</p>	
<p>A2 ECO-20-008696 22JUN2020 HMF</p>		<p>OF 1</p>	
<p>A1 ECO-16-004230 18MAR2016 HMF</p>		<p>CLASS I</p>	
<p>A INITIAL DRAWING 11AUG2014 HMF</p>		<p>CUSTOMER DRAWING</p>	
<p>REV. CHANGE ORDER DATE APP.</p>		<p>STE connectivity</p>	