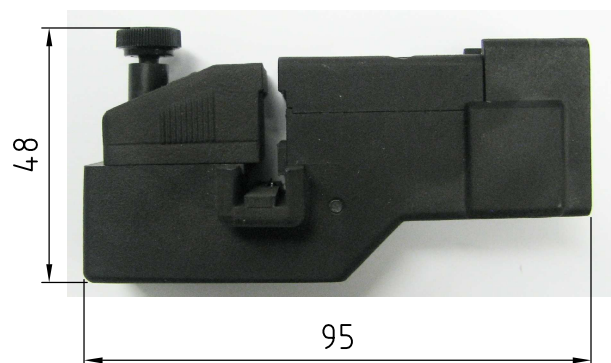


LOC AI	DIST 00	REVISIONS				
P	LTR	DESCRIPTION	DATE	DWN	APVD	
	B	INITIAL REVISION	26AUG16	LS	CW	



HEAD, HE-14,180 DEGREE



RELEASED FOR PUBLICATION

ALL INTERNATIONAL RIGHTS RESERVED.

BY TYCO ELECTRONICS CORPORATION.


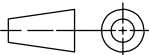
© COPYRIGHT

- Zu verwenden mit Basis Handzange / Used with basic hand tool:
TE P/N 1-528015-6

Anwendungsbereich / Application range

Section 0.12 / 0.22mm ²	Section 0.08 / 0.12mm ²
TE P/N 281769;	TE P/N 281770
TE P/N 281771;	TE P/N 281772
TE P/N 281783;	TE P/N 281786
TE P/N 281784;	TE P/N 281787
TE P/N 281789;	TE P/N 281792
TE P/N 281790;	TE P/N 281793

Alle dafür notwendigen Informationen befinden sich in der Verarbeitungsspezifikation / All necessary information can be found in application specification:
Appl. Spec. 114-15031-1

DIMENSIONS: mm	DWN L. Sandhu	26AUG2016	MATERIAL	FINISH
	CHK C. Witt	26AUG2016	 TE Connectivity	
TOLERANCES UNLESS OTHERWISE SPECIFIED:	APVD C. Witt	26AUG2016		
	0 PLC ± -	PRODUCT SPEC	-	
1 PLC ± -	APPLICATION SPEC	-		
2 PLC ± -	WEIGHT	0,08kg	SIZE A4	CAGE CODE 00779
3 PLC ± -		DRAWING NO C= 734042-1	RESTRICTED TO -	
4 PLC ± -			CUSTOMER DRAWING	
ANGLES ± -			REV B	