

CRJKS0009 External GPS Antenna

External GPS Antenna



Airgain's CRJKS0009 patch antenna series are ceramic antennas specially designed for all GPS applications. This ceramic patch antenna has excellent stability and sensitivity through high-performance proprietary ceramic materials and processes.

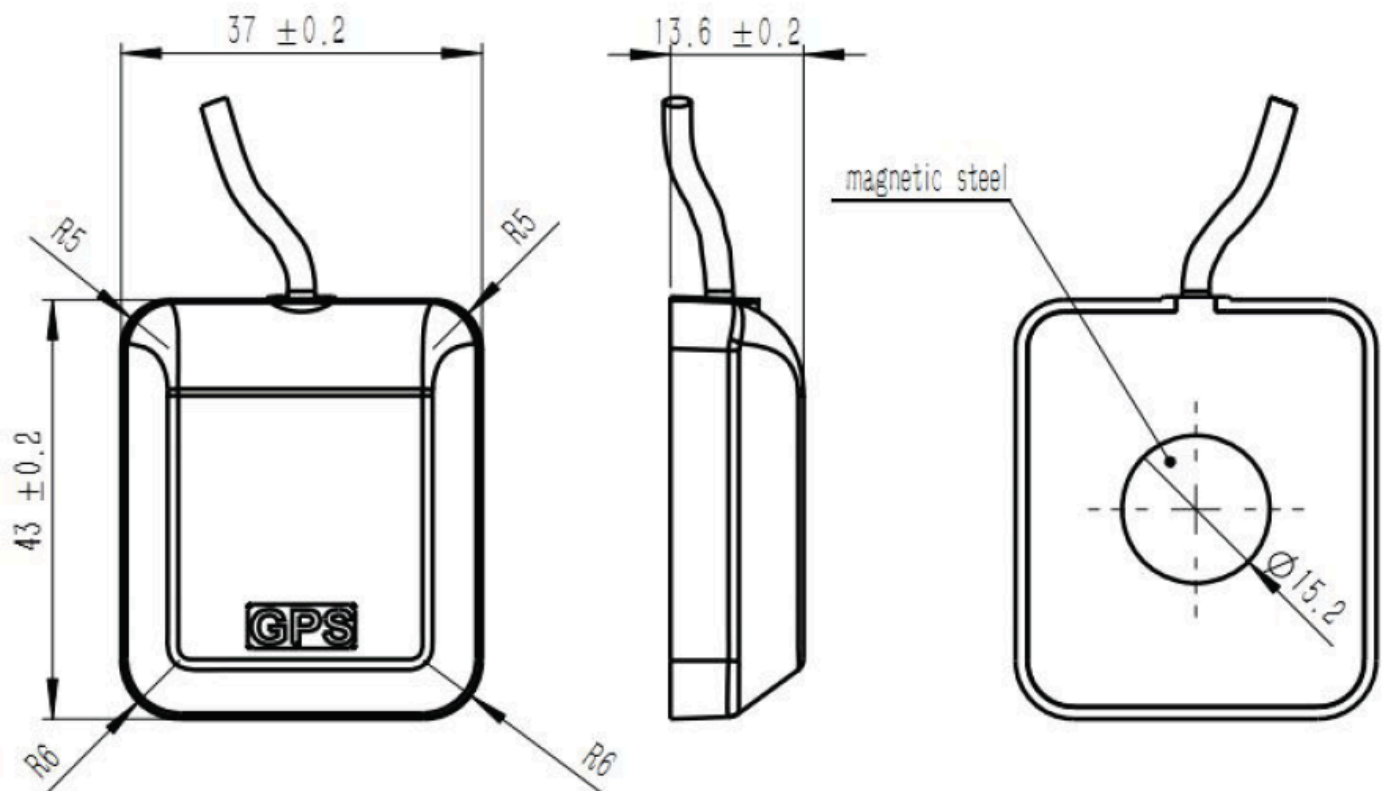
- ROHS Compliant

CONFIGURATION

CRJKS0009-LNA-LM5X3000SMA

GPS (1559 MHz to 1610 MHz), Ceramic Patch Antenna, SMA Connector

DIMENSIONS



SPECIFICATIONS AND INTERFACE

Outline Dimensions	43 mm x 37 mm x 13.5 mm
Frequency Region	1559 MHz to 1610 MHz
Polarization	Right-Hand Circular Polarization
Axial Ratio	6 dB @ 1575 MHz
LNA Input Voltage	1.8 - 5 VDC
LNA Current Draw	4.5 mA (typ.)
LNA Noise Figure	< 1.2
LNA Gain	22 dB ± 0.5 dB
LNA P1dB	-8 dBm
Total Antenna Gain	23 dB ± 1 dB
Temperature Range	-45, +85

RADIATION PATTERNS

