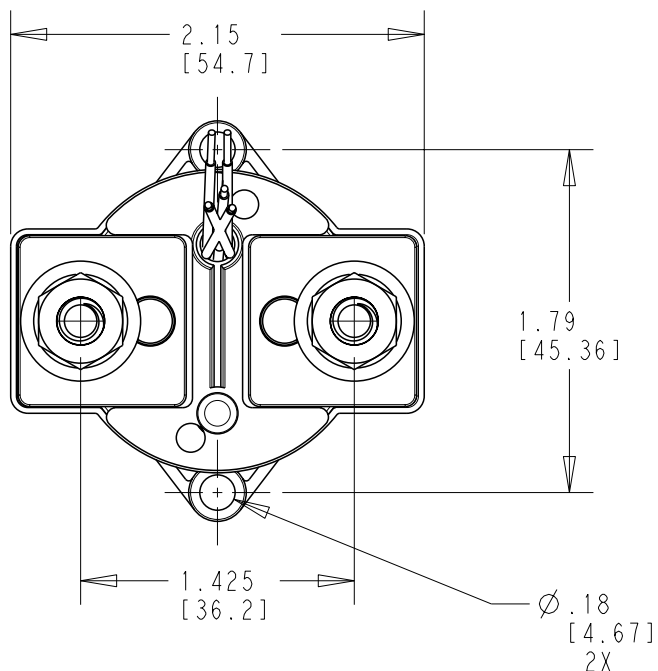


REVISIONS

P	LTR	DESCRIPTION	DATE	DWN	APVD
1		DEV-PRE-RELEASE	17SEP2019	MP	MP
A		ECO-19-014376	25SEP2019	KK	MP
B		ECO-20-004193	23MAR2020	KK	MP



PRODUCT SPECIFICATION
 COIL VOLTAGE: 24VDC NOMINAL/36VDC MAX
 PICKUP VOLTAGE: 12 VDC
 DROPOUT VOLTAGE: 6VDC
 OPERATE TIME: 20ms MAX
 OPERATE BOUNCE: 5ms MAX
 AUX CONTACT SIMULTANEITY: 5ms MAX
 RELEASE TIME: 5 ms max
 COIL INRUSH AT 24VDC: 3A MAX/100ms
 HOLD CURRENT (AVG): 0.6A

MAIN CONTACT CURRENT: 250A WITH 4/0 AWG CONDUCTOR [120mm²]
 CONTACT VOLTAGE DROP AT 250A: 85mV MAX
 MAX OPERATING VOLTAGE: 1000VDC

AUX CONTACT RATING: 6V/0.1A RESISTIVE
 AUX CONTACT RESISTANCE: 100mOHM TYPICAL
 AUX CONTACT MINIMUM LOAD: 5V/10mA

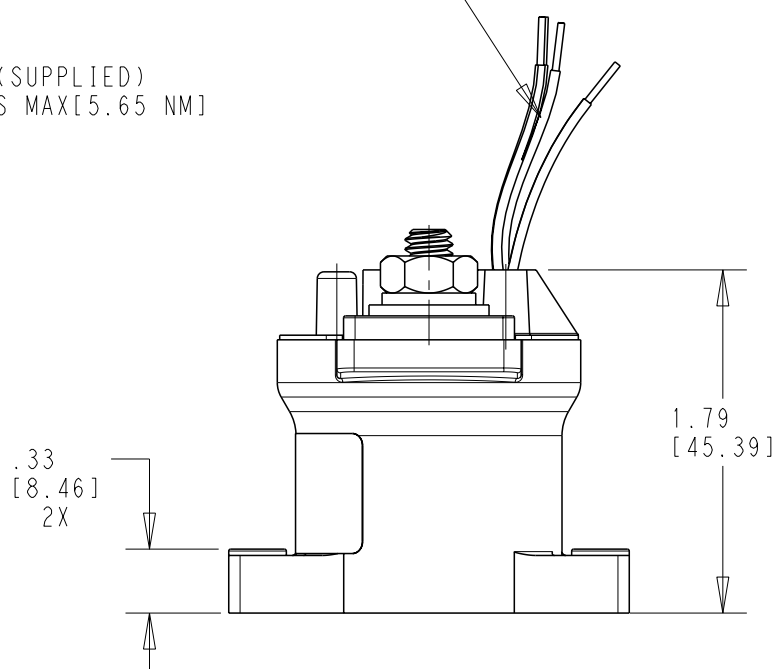
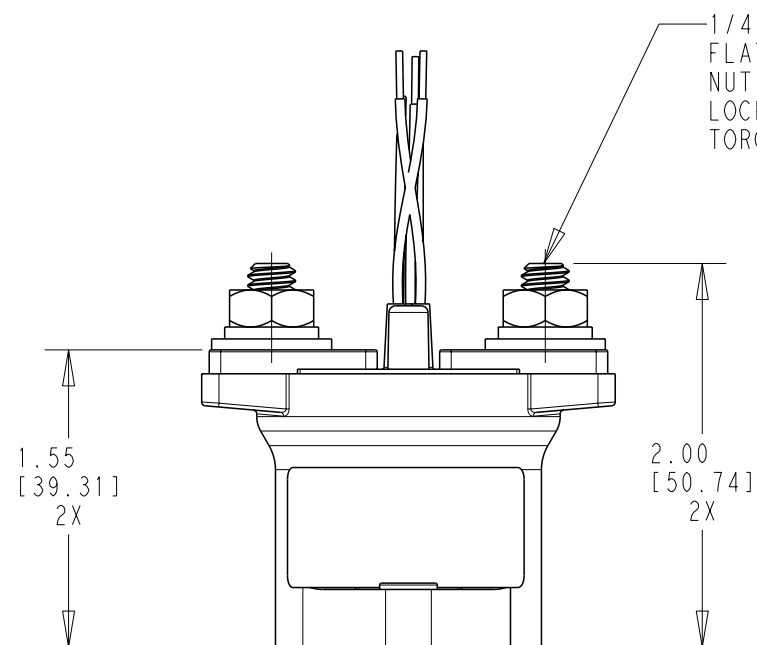
ISOLATION VOLTAGE: 1000VDC
 INSULATION RESISTANCE: 50 MOHM AT 1KVDC
 DIELECTRIC WITHSTAND: 4250 VDC

HERMETICALLY SEALED
 MAX OPERATING ALTITUDE: 70,000 FEET
 SHOCK: 20G 1/2 SINE 11MS
 VIBRATION: 15G SINE, 10-2000 HZ
 TEMPERATURE: -40 TO +85C OPERATING
 -55 TO +125 STORAGE
 MECHANICAL LIFE: 100,000 CYCLES
 MASS: 180 GRAMS

PRELIMINARY DATA - SUBJECT TO CHANGE

COIL/AUX WIRES:
 M22759/11-24
 RED: COIL+
 BLACK: COIL RETURN
 GREEN: AUX COM
 BROWN: AUX NO
 WHITE: AUX NC
 WIRE LENGTH: 15"[381]

1/4-20 UNC
 FLAT WASHER 2X
 NUT 2X
 LOCK WASHER 2X (SUPPLIED)
 TORQUE 50 IN-LBS MAX[5.65 NM]



THIS DRAWING IS A CONTROLLED DOCUMENT.

DIMENSIONS: in [mm]	TOLERANCES UNLESS OTHERWISE SPECIFIED:
THIRD ANGLE PROJECTION	0 PLC ±-
	1 PLC ±.1
	2 PLC ±.03
	3 PLC ±
	4 PLC ±
	ANGLES ±
MATERIAL	FINISH
-	-
-	-

DWN	17SEP2019
MP	
CHK	17SEP2019
MP	
APVD	17SEP2019
MP	
PRODUCT SPEC	-
APPLICATION SPEC	-
WEIGHT	180 G
CUSTOMER DRAWING	



NAME K250H024EAJA CONTACTOR, SPST-NO, 250A			
SIZE	CAGE CODE	DRAWING NO	RESTRICTED TO
A3	18741	C-1-1618414-2	-
SCALE NTS		SHEET 1 OF 1	REV B