

# Customer Information Sheet

DRAWING No.: M22-6053005

SHEET 2 OF 2

IF IN DOUBT - ASK

(C)

NOT TO SCALE

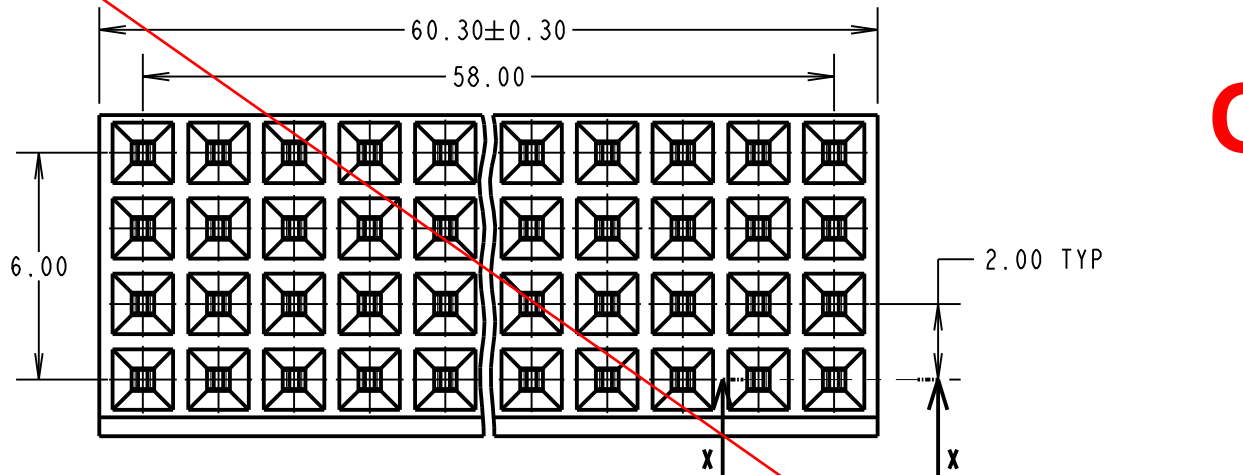
THIRD ANGLE PROJECTION

ALL DIMENSIONS IN mm

**OBSOLETE**

**NOTES:**

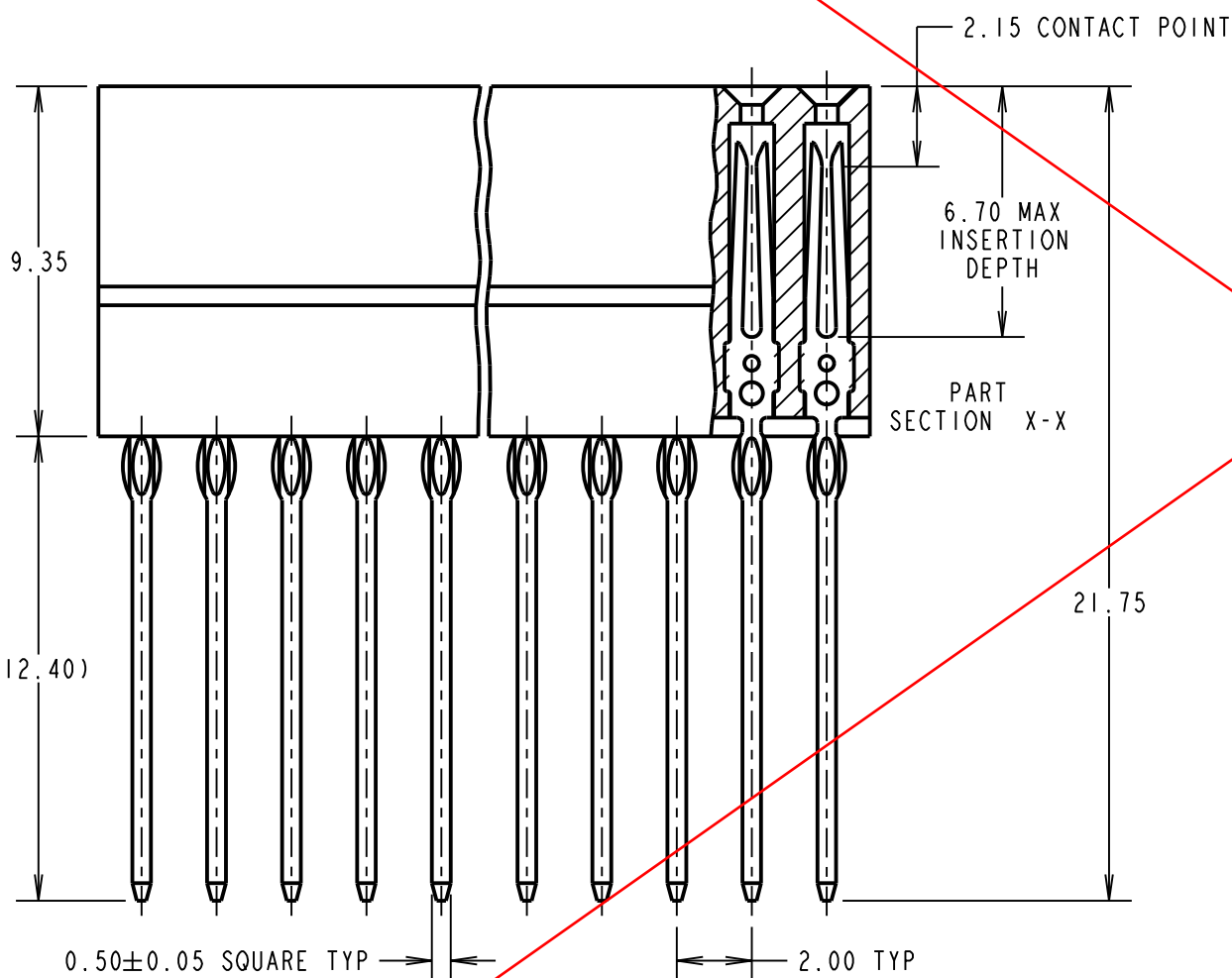
- ALL TOLERANCES ARE  $\pm 0.20$  UNLESS OTHERWISE STATED.
- RECOMMENDED PCB PLATED-THROUGH HOLE SIZE:  
 DRILLED HOLE =  $\varnothing 1.000 \pm 0.025$ mm,  
 PLATING THICKNESSES = 25 $\mu$  MIN COPPER, 2.5-5.0 $\mu$  NICKEL,  
 FINAL PLATED HOLE =  $\varnothing 0.94-0.85$ mm.



ORDER CODE:  
**M22-6053005**

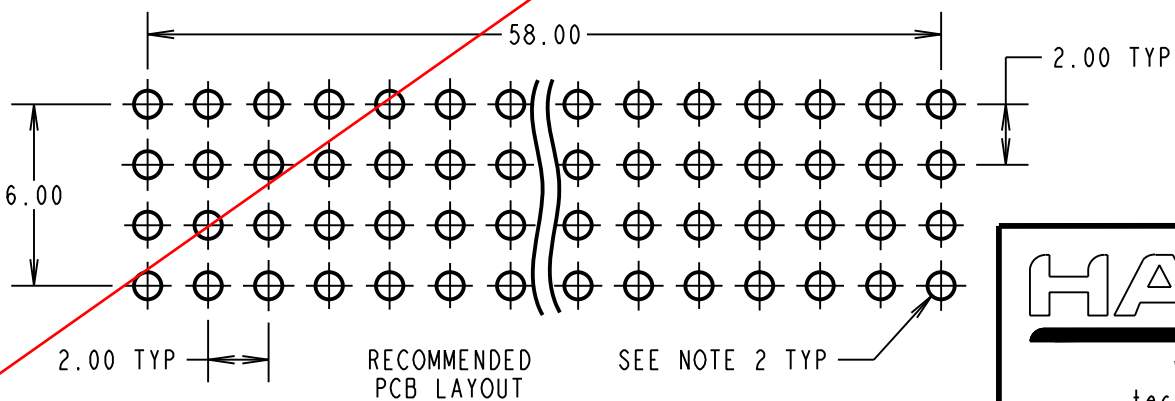
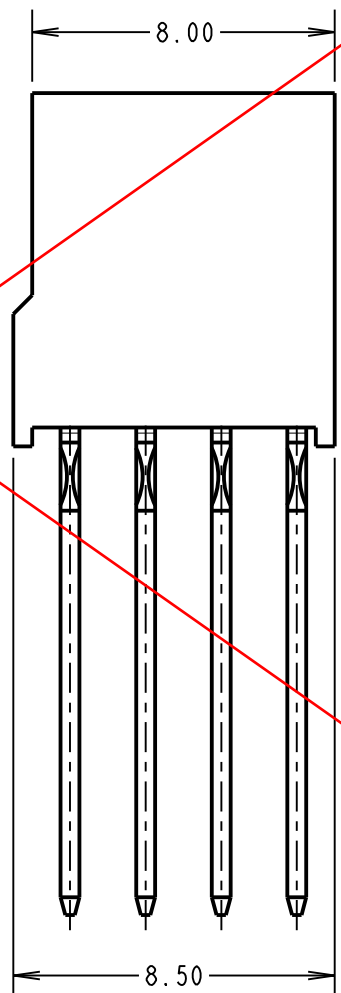
No. OF CONTACTS PER ROW:  
 30

FINISH:  
 05 = GOLD ALL OVER NICKEL



**SPECIFICATIONS:**

- MATERIAL:**  
 MOULDING = PPS UL94V-0 BLACK  
 CONTACTS = PHOSPHOR BRONZE
- FINISH:**  
 CONTACTS = 0.25 $\mu$  GOLD OVER NICKEL
- ELECTRICAL:**  
 CURRENT RATING = 1A MAX  
 CONTACT RESISTANCE = 30m $\Omega$  MAX  
 INSULATION RESISTANCE = 5,000M $\Omega$  MIN  
 DIELECTRIC STRENGTH = 800V AC FOR ONE MINUTE
- MECHANICAL:**  
 DURABILITY = 10 OPERATIONS (MATING), 3 OPERATIONS (BOARD)  
 INSERTION FORCE (MATING) = 1.2N MAX  
 WITHDRAWAL FORCE (MATING) = 0.2N MIN  
 INSERTION FORCE (BOARD) = 59N/PIN MAX  
 WITHDRAWAL FORCE (BOARD) = 15N/PIN MAX
- ENVIRONMENTAL:**  
 TEMPERATURE RANGE = -40°C TO +85°C
- PACKING:**  
 TUBE
- FOR COMPLETE SPECIFICATIONS, SEE COMPONENT SPECIFICATION C039XX (LATEST ISSUE).



|                |      |              |        |
|----------------|------|--------------|--------|
| SB             | 5    | 01.10.13     | 12212  |
| NAME           | ISS. | DATE         | C/NOTE |
| APPROVED:      |      | S.BENNETT    |        |
| CHECKED:       |      | M.PLESTED    |        |
| DRAWN:         |      | W. J. BOURNE |        |
| CUSTOMER REF.: |      |              |        |
| ASSEMBLY DRG:  |      |              |        |

**HARWIN**

www.harwin.com  
 technical@harwin.com

THIS DRAWING AND ANY INFORMATION OR DESCRIPTIVE MATTER SET OUT HEREON ARE CONFIDENTIAL AND COPYRIGHT PROPERTY OF THE HARWIN GROUP AND MUST NOT BE DISCLOSED, LOANED, COPIED OR USED FOR MANUFACTURING, TENDERING OR FOR ANY OTHER PURPOSE WITHOUT THEIR WRITTEN PERMISSION.

**TOLERANCES**  
~~X. =  $\pm 1$ mm~~  
~~X.X =  $\pm 0.25$ mm~~  
~~X.XX =  $\pm 0.10$ mm~~  
~~X.XXX =  $\pm 0.05$ mm~~  
 ANGLES =  $\pm 5^\circ$   
 UNLESS STATED

**MATERIAL:**  
 SEE ABOVE

**FINISH:**  
 SEE ABOVE

**S/AREA:**  
 mm<sup>2</sup>

**TITLE:**  
 PC104 PLUS PRESS-FIT CONNECTOR (STACKTHROUGH)

**DRAWING NUMBER:**  
**M22-6053005**

SHT 2 OF 2