

Product Change Notice (PCN)

Date: 12/12/2019

PCN Number: PCN-0450036R-01

To Our Customers:

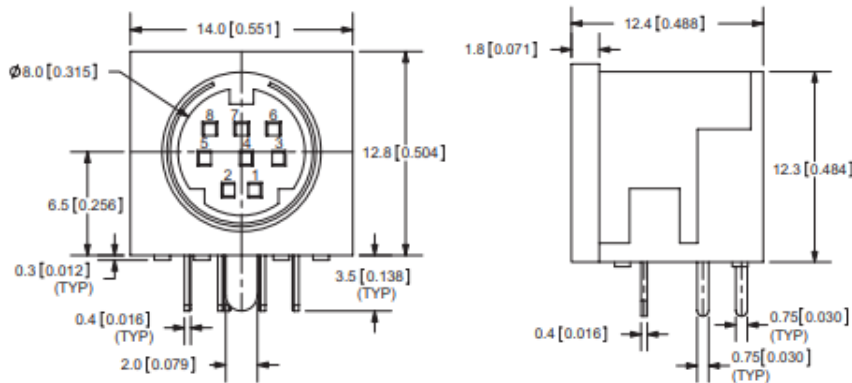
We appreciate your use of CUI Devices products. Our commitment in maintaining and improving processes is demonstrated by plans to enhance our product quality, reliability and manufacturability. The purpose of this notice is to inform you of a product change.

Product(s) Affected: MD-S series (part numbers MD-40S, MD-60S, MD-70S, MD-80S, MD-90S).

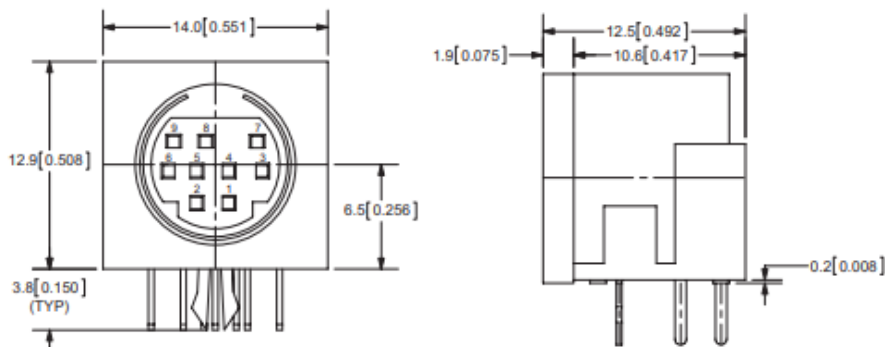
Reason(s) for Change: Manufacturing build location change.

Description of Change: minor dimensional changes, such as pin length, as shown below.

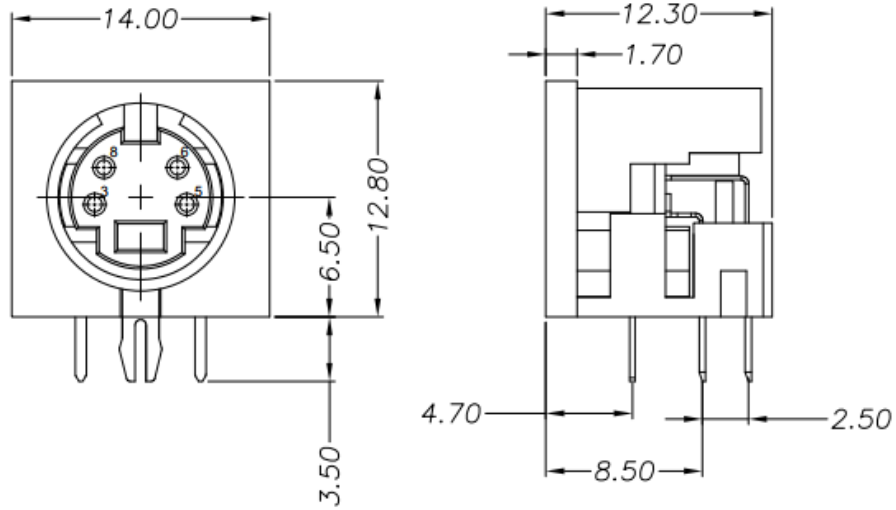
Old Design (MD-40S, MD-60S, MD-70S, MD-80S)



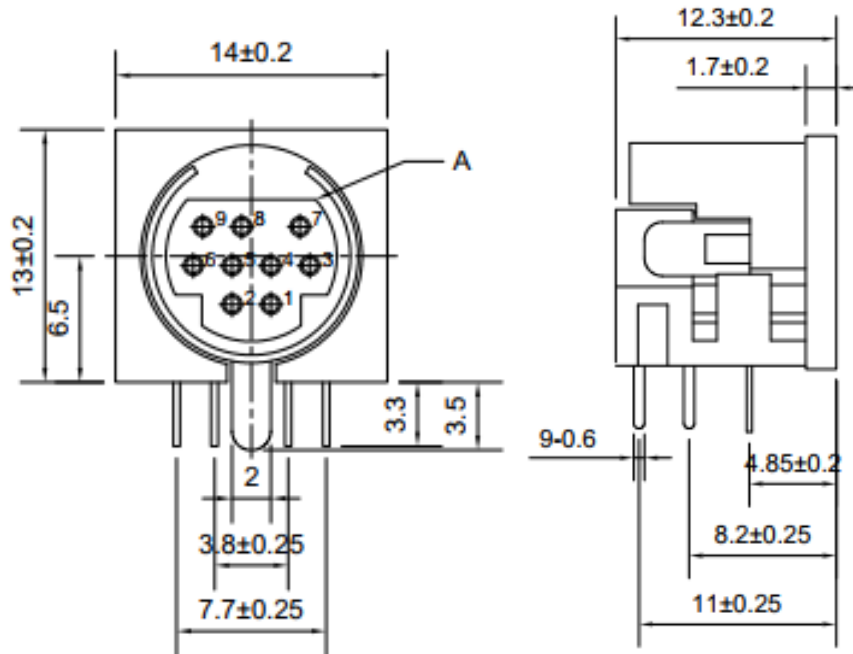
Old Design (MD-90S)

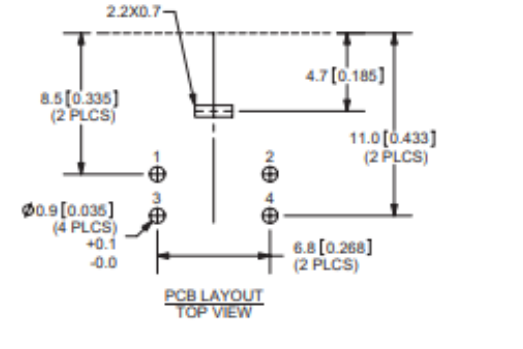
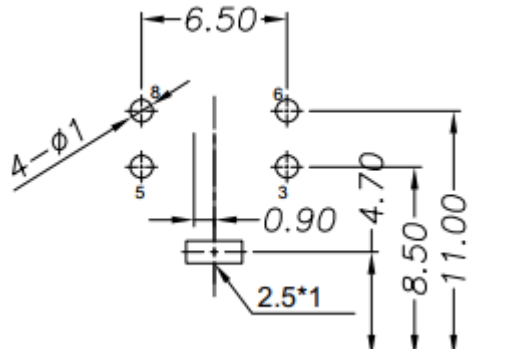
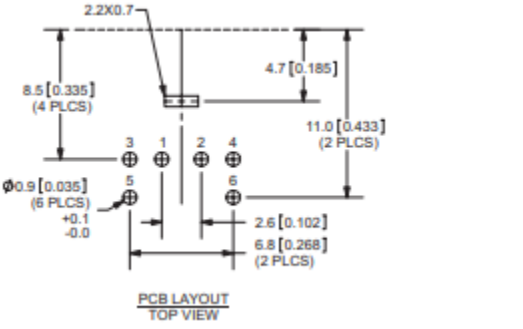
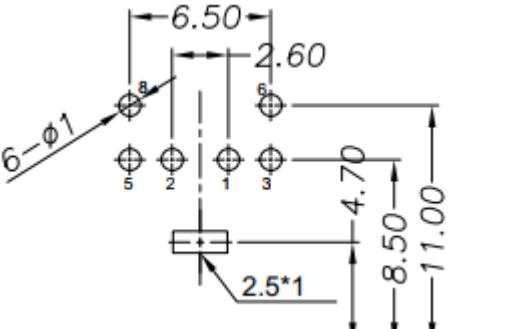
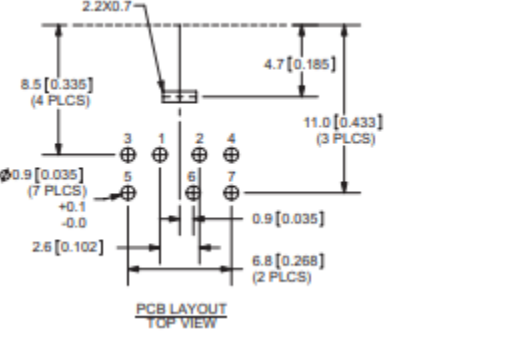
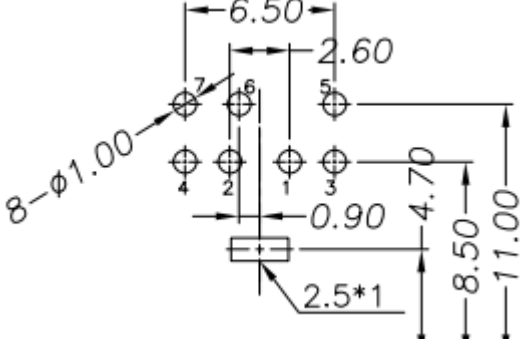
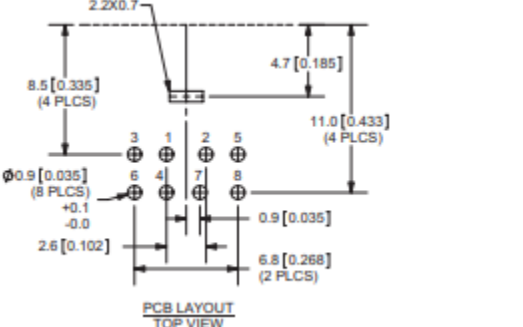
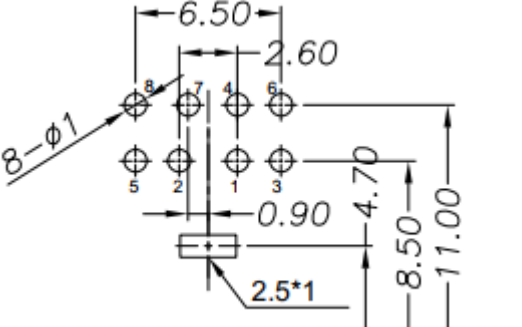


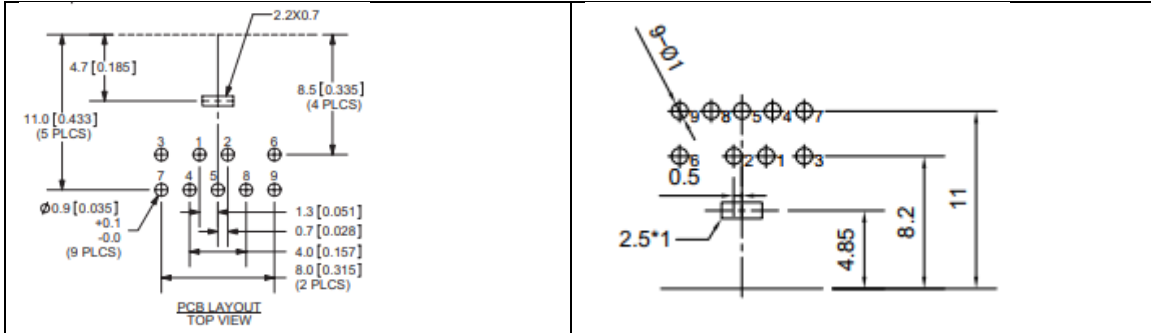
New Design (MD-40S, MD-60S, MD-70S, MD-80S)



New Design (MD-90S)



PCB Layout Old Design	PCB Layout New Design
 <p>2.2X0.7</p> <p>8.5 [0.335] (2 PLCS)</p> <p>4.7 [0.185]</p> <p>11.0 [0.433] (2 PLCS)</p> <p>1 2</p> <p>3 4</p> <p>$\phi 0.9$ [0.035] (4 PLCS) +0.1 -0.0</p> <p>6.8 [0.268] (2 PLCS)</p> <p>PCB LAYOUT TOP VIEW</p>	 <p>6.50</p> <p>4-$\phi 1$</p> <p>8 6</p> <p>5 3</p> <p>4 70</p> <p>0.90</p> <p>4.70</p> <p>8.50</p> <p>11.00</p> <p>2.5*1</p>
 <p>2.2X0.7</p> <p>8.5 [0.335] (4 PLCS)</p> <p>4.7 [0.185]</p> <p>11.0 [0.433] (2 PLCS)</p> <p>3 1 2 4</p> <p>5 6</p> <p>$\phi 0.9$ [0.035] (6 PLCS) +0.1 -0.0</p> <p>2.6 [0.102]</p> <p>6.8 [0.268] (2 PLCS)</p> <p>PCB LAYOUT TOP VIEW</p>	 <p>6.50</p> <p>6-$\phi 1$</p> <p>8 6</p> <p>5 2 1 3</p> <p>4.70</p> <p>8.50</p> <p>11.00</p> <p>2.60</p> <p>2.5*1</p>
 <p>2.2X0.7</p> <p>8.5 [0.335] (4 PLCS)</p> <p>4.7 [0.185]</p> <p>11.0 [0.433] (3 PLCS)</p> <p>3 1 2 4</p> <p>5 6 7</p> <p>$\phi 0.9$ [0.035] (7 PLCS) +0.1 -0.0</p> <p>2.6 [0.102]</p> <p>0.9 [0.035]</p> <p>6.8 [0.268] (2 PLCS)</p> <p>PCB LAYOUT TOP VIEW</p>	 <p>6.50</p> <p>8-$\phi 1.00$</p> <p>8 6 5</p> <p>4 2 1 3</p> <p>4.70</p> <p>8.50</p> <p>11.00</p> <p>2.60</p> <p>0.90</p> <p>2.5*1</p>
 <p>2.2X0.7</p> <p>8.5 [0.335] (4 PLCS)</p> <p>4.7 [0.185]</p> <p>11.0 [0.433] (4 PLCS)</p> <p>3 1 2 5</p> <p>6 4 7 8</p> <p>$\phi 0.9$ [0.035] (8 PLCS) +0.1 -0.0</p> <p>2.6 [0.102]</p> <p>0.9 [0.035]</p> <p>6.8 [0.268] (2 PLCS)</p> <p>PCB LAYOUT TOP VIEW</p>	 <p>6.50</p> <p>8-$\phi 1$</p> <p>8 7 6 5</p> <p>4 2 1 3</p> <p>4.70</p> <p>8.50</p> <p>11.00</p> <p>2.60</p> <p>0.90</p> <p>2.5*1</p>



Affected Date Code: 12/6/19

Product Availability: currently available

Additional Information: none

PCN Approval:

Operations/Quality



Product Marketing

