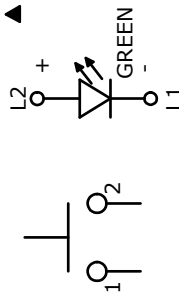
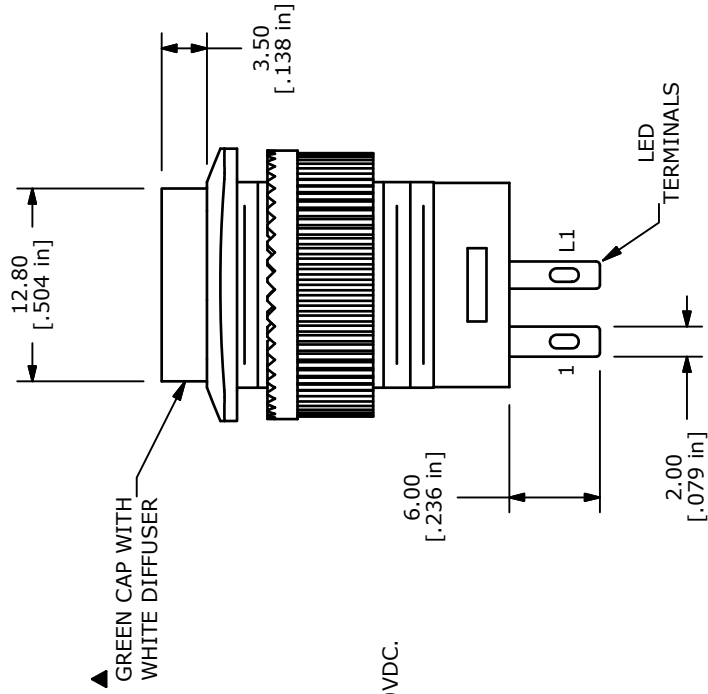
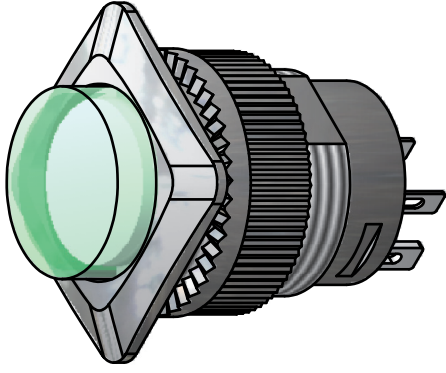
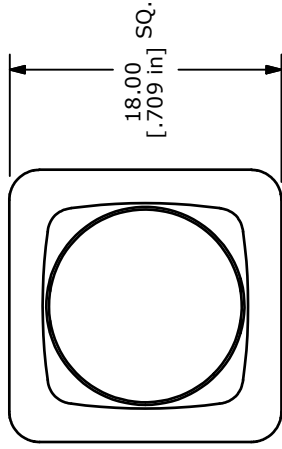


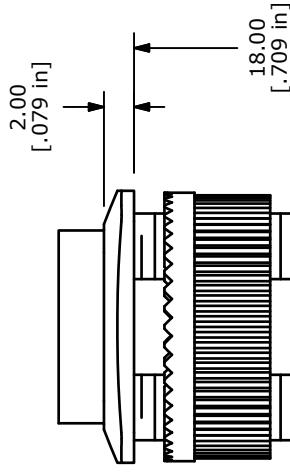
PANEL MOUNTING



CIRCUIT: SPST  
MOMENTARY



GREEN CAP WITH  
WHITE DIFFUSER



- NOTE:
1. ALL DIMENSIONS IN MM [INCH]
  2. GENERAL TOLERANCE: X.X=±0.4  
X.XX=±0.25
  3. TERMINAL NUMBERS FOR REF ONLY
  4. CIRCUIT: SPST OFF-MOMENTARY ON
  5. CONTACT RATING: 3A @ 125VAC, 1.5A @ 250VAC
  6. ELECTRIC LIFE: 6,000 CYCLES AT FULL LOAD MIN.
  7. CONTACT RESISTANCE: 50 MILLI-OHM MAX. (INITIAL)
  8. INSULATION RESISTANCE: 100 MEGA-OHM MIN. @ 500VDC.
  9. DIELECTRIC STRENGTH: 1,500VAC FOR 1 MINUTE.
  10. LED COLOR: GREEN
  11. OPERATING TEMPERATURE: -0°C TO +65°C.
  12. PANEL THICKNESS RANGE: 7.0 mm MAX.
  13. ▲ DENOTES CRITICAL PARAMETER.
  14. 2002/95/EC (ROHS) COMPLIANT
  15. HARDWARE INCLUDED: MOUNTING NUT

▲ LED SPECS	UNITS	GREEN
FORWARD CURRENT	mA	20
FORWARD VOLTAGE	V	2.0-2.6
LUMINOUS INTENSITY	MCD	100



TITLE RP3508ABLKGRNRNNS

E	19610	ADDED LED SPECS	1/20/11	BGL
REV	PCR NO	DESCRIPTION	DATE	BY

THE INFORMATION CONTAINED IN THIS DOCUMENT IS PROPRIETARY  
TO E-SWITCH AND IS NOT TO BE COPIED OR TRANSFERRED

SCALE 2 : 1

DR BGL

DWG F130422

REV E