

SN74ALS29863 9-BIT TRANSCEIVER WITH 3-STATE OUTPUTS

SDAS096C – JANUARY 1986 – REVISED JANUARY 1995

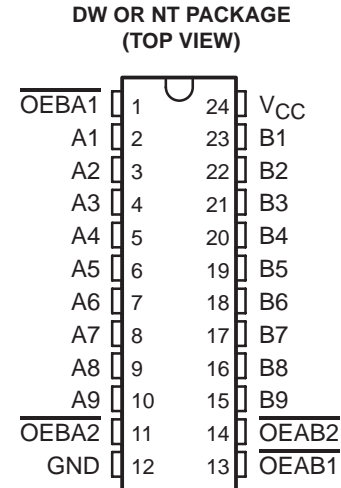
- Functionally Equivalent to AMD's AM29863
- Power-Up High-Impedance State
- Package Options Include Plastic Small-Outline (DW) Packages and Standard Plastic (NT) 300-mil DIPs

description

This 9-bit transceiver is designed for asynchronous two-way communication between data buses. The control-function implementation allows for maximum flexibility in timing.

This device allows data transmission from the A bus to the B bus or from the B bus to the A bus, depending on the logic levels at the output-enable ($\overline{OEAB1}$, $\overline{OEAB2}$, $\overline{OEBA1}$, and $\overline{OEBA2}$) inputs.

The SN74ALS29863 is characterized for operation from 0°C to 70°C.



FUNCTION TABLE

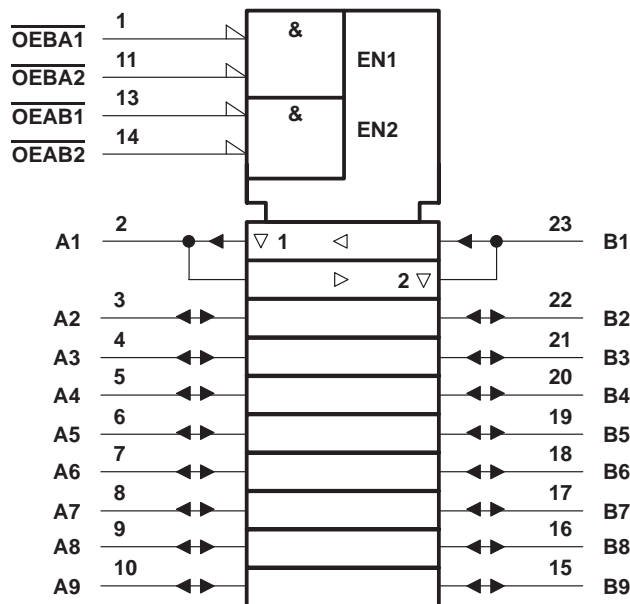
| INPUTS | | | | OPERATION |
|--------------------|--------------------|--------------------|--------------------|---------------|
| $\overline{OEAB1}$ | $\overline{OEAB2}$ | $\overline{OEBA1}$ | $\overline{OEBA2}$ | |
| L | L | L | L | Latch A and B |
| L | L | H | X | A to B |
| L | L | X | H | |
| H | X | L | L | B to A |
| X | H | L | L | |
| H | X | H | X | Isolation |
| H | X | X | H | |
| X | H | X | H | |
| X | H | H | X | |

SN74ALS29863

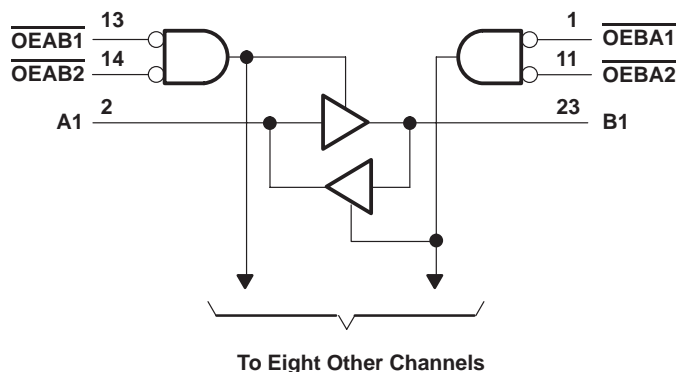
9-BIT TRANSCEIVER WITH 3-STATE OUTPUTS

SDAS096C – JANUARY 1986 – REVISED JANUARY 1995

logic symbol†



logic diagram (positive logic)



† This symbol is in accordance with ANSI/IEEE Std 91-1984 and IEC Publication 617-12.

absolute maximum ratings over operating free-air temperature range (unless otherwise noted)‡

| | |
|---|----------------|
| Supply voltage, V_{CC} | 7 V |
| Input voltage, V_I (all inputs and I/O ports) | 5.5 V |
| Operating free-air temperature range, T_A | 0°C to 70°C |
| Storage temperature range | -65°C to 150°C |

‡ Stresses beyond those listed under "absolute maximum ratings" may cause permanent damage to the device. These are stress ratings only, and functional operation of the device at these or any other conditions beyond those indicated under "recommended operating conditions" is not implied. Exposure to absolute-maximum-rated conditions for extended periods may affect device reliability.

recommended operating conditions

| | MIN | NOM | MAX | UNIT |
|--------------------------------------|------|-----|------|------|
| V_{CC} Supply voltage | 4.75 | 5 | 5.25 | V |
| V_{IH} High-level input voltage | 2 | | | V |
| V_{IL} Low-level input voltage | | | 0.8 | V |
| I_{OH} High-level output current | | | -24 | mA |
| I_{OL} Low-level output current | | | 48 | mA |
| T_A Operating free-air temperature | 0 | | 70 | °C |



SN74ALS29863
9-BIT TRANSCEIVER
WITH 3-STATE OUTPUTS

SDAS096C – JANUARY 1986 – REVISED JANUARY 1995

electrical characteristics over recommended operating free-air temperature range (unless otherwise noted)

| PARAMETER | | TEST CONDITIONS | MIN | TYP† | MAX | UNIT |
|-------------------|----------------|---|--------------------------|------|------|------|
| V _{IK} | | V _{CC} = 4.75 V, I _I = -18 mA | | | -1.2 | V |
| V _{OH} | | V _{CC} = 4.75 V | I _{OH} = -15 mA | | 2.4 | V |
| | | | I _{OH} = -24 mA | | 2 | |
| V _{OL} | | V _{CC} = 4.75 V, I _{OL} = 48 mA | | 0.35 | 0.5 | V |
| I _I | | V _{CC} = 5.25 V, V _I = 5.5 V | | | 0.1 | mA |
| I _{IH} | Control inputs | V _{CC} = 5.25 V, V _I = 2.7 V | | | 20 | μA |
| | A or B ports‡ | | | | 20 | |
| I _{IL} | Control inputs | V _{CC} = 5.25 V, V _I = 0.4 V | | | -0.1 | mA |
| | A or B ports‡ | | | | -0.1 | |
| I _{OS} § | | V _{CC} = 5.25 V, V _O = 0 | -75 | | -250 | mA |
| I _{CC} | | V _{CC} = 5.25 V | | 40 | 65 | mA |

† All typical values are at V_{CC} = 5 V, T_A = 25°C.

‡ For I/O ports, the parameters I_{IH} and I_{IL} include the off-state output current.

§ Not more than one output should be shorted at a time and duration of the short circuit should not exceed one second.

switching characteristics (see Figure 1)

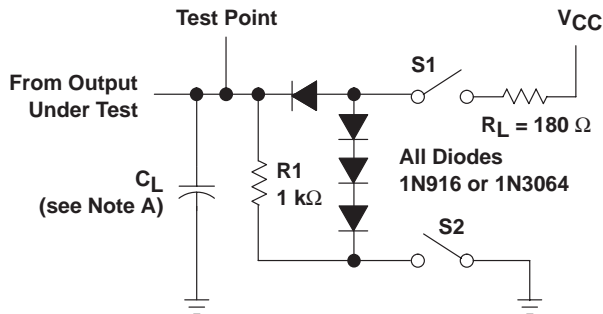
| PARAMETER | FROM (INPUT) | TO (OUTPUT) | TEST CONDITIONS | V _{CC} = 4.75 V to 5.25 V | | UNIT |
|------------------|--|-------------|-------------------------|------------------------------------|-----|------|
| | | | | MIN | MAX | |
| t _{PLH} | A or B | B or A | C _L = 300 pF | | | ns |
| t _{PHL} | | | | | | |
| t _{PLH} | A or B | B or A | C _L = 50 pF | | | ns |
| t _{PHL} | | | | | | |
| t _{PZH} | \overline{OEAB} or \overline{OEBA} | A or B | C _L = 300 pF | | | ns |
| t _{PZL} | | | | | | |
| t _{PZH} | \overline{OEAB} or \overline{OEBA} | A or B | C _L = 50 pF | | | ns |
| t _{PZL} | | | | | | |
| t _{PHZ} | \overline{OEAB} or \overline{OEBA} | A or B | C _L = 50 pF | | | ns |
| t _{PLZ} | | | | | | |
| t _{PHZ} | \overline{OEAB} or \overline{OEBA} | A or B | C _L = 5 pF | | | ns |
| t _{PLZ} | | | | | | |



SN74ALS29863 9-BIT TRANSCEIVER WITH 3-STATE OUTPUTS

SDAS096C – JANUARY 1986 – REVISED JANUARY 1995

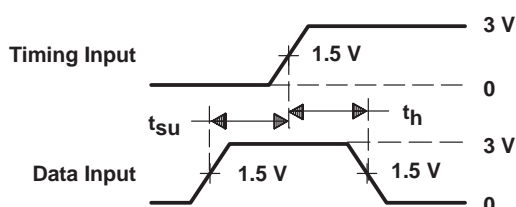
PARAMETER MEASUREMENT INFORMATION



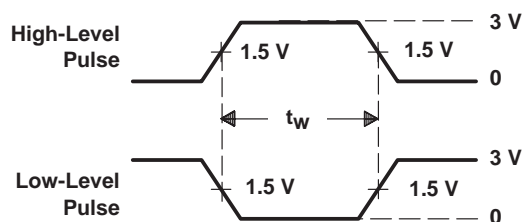
LOAD CIRCUIT

SWITCH POSITION TABLE

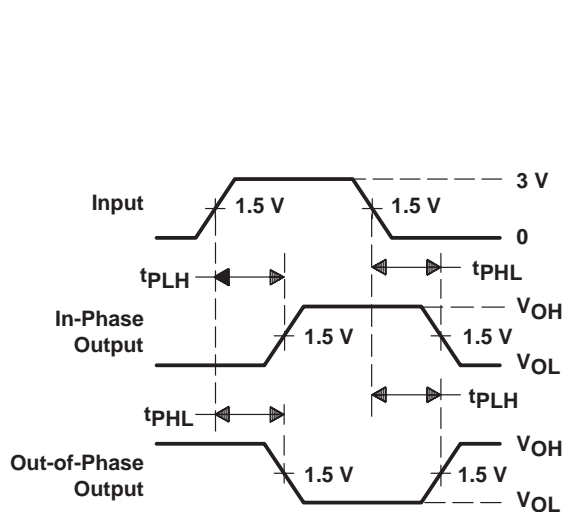
| TEST | S1 | S2 |
|-----------|--------|--------|
| t_{PLH} | Closed | Closed |
| t_{PHL} | Closed | Closed |
| t_{PZH} | Open | Closed |
| t_{PZL} | Closed | Open |
| t_{PHZ} | Closed | Closed |
| t_{PLZ} | Closed | Closed |



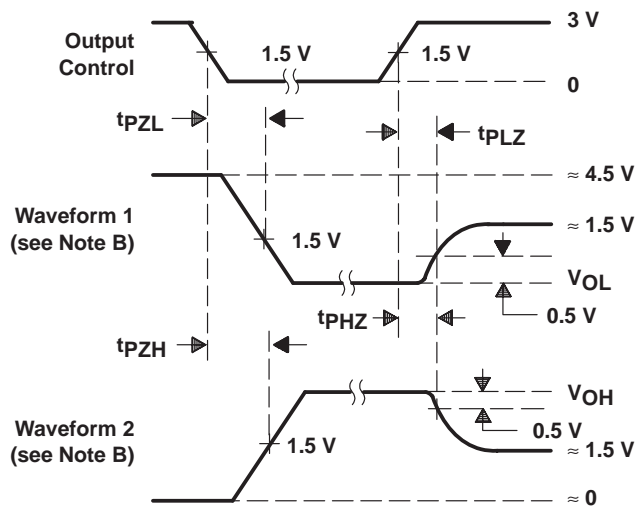
VOLTAGE WAVEFORMS
SETUP AND HOLD TIMES



VOLTAGE WAVEFORMS
PULSE DURATIONS



VOLTAGE WAVEFORMS
PROPAGATION DELAY TIMES



VOLTAGE WAVEFORMS
ENABLE AND DISABLE TIMES, 3-STATE OUTPUTS

- NOTES: A. C_L includes probe and jig capacitance.
 B. Waveform 1 is for an output with internal conditions such that the output is low except when disabled by the output control. Waveform 2 is for an output with internal conditions such that the output is high except when disabled by the output control.
 C. All input pulses are supplied by generators having the following characteristics: PRR \leq 10 MHz, $Z_O = 50 \Omega$, $t_r \leq 2.5$ ns, $t_f \leq 2.5$ ns.

Figure 1. Load Circuit and Voltage Waveforms

PACKAGING INFORMATION

| Orderable Device | Status (1) | Package Type | Package Drawing | Pins | Package Qty | Eco Plan (2) | Lead finish/ Ball material (6) | MSL Peak Temp (3) | Op Temp (°C) | Device Marking (4/5) | Samples |
|------------------|---------------|--------------|-----------------|------|-------------|-----------------|--------------------------------------|----------------------|--------------|-------------------------|-------------------------|
| SN74ALS29863DW | ACTIVE | SOIC | DW | 24 | 25 | RoHS & Green | NIPDAU | Level-1-260C-UNLIM | 0 to 70 | ALS29863 | Samples |
| SN74ALS29863DWE4 | ACTIVE | SOIC | DW | 24 | 25 | RoHS & Green | NIPDAU | Level-1-260C-UNLIM | 0 to 70 | ALS29863 | Samples |

(1) The marketing status values are defined as follows:

ACTIVE: Product device recommended for new designs.

LIFEBUY: TI has announced that the device will be discontinued, and a lifetime-buy period is in effect.

NRND: Not recommended for new designs. Device is in production to support existing customers, but TI does not recommend using this part in a new design.

PREVIEW: Device has been announced but is not in production. Samples may or may not be available.

OBSOLETE: TI has discontinued the production of the device.

(2) **RoHS:** TI defines "RoHS" to mean semiconductor products that are compliant with the current EU RoHS requirements for all 10 RoHS substances, including the requirement that RoHS substance do not exceed 0.1% by weight in homogeneous materials. Where designed to be soldered at high temperatures, "RoHS" products are suitable for use in specified lead-free processes. TI may reference these types of products as "Pb-Free".

RoHS Exempt: TI defines "RoHS Exempt" to mean products that contain lead but are compliant with EU RoHS pursuant to a specific EU RoHS exemption.

Green: TI defines "Green" to mean the content of Chlorine (Cl) and Bromine (Br) based flame retardants meet JS709B low halogen requirements of <=1000ppm threshold. Antimony trioxide based flame retardants must also meet the <=1000ppm threshold requirement.

(3) MSL, Peak Temp. - The Moisture Sensitivity Level rating according to the JEDEC industry standard classifications, and peak solder temperature.

(4) There may be additional marking, which relates to the logo, the lot trace code information, or the environmental category on the device.

(5) Multiple Device Markings will be inside parentheses. Only one Device Marking contained in parentheses and separated by a "~" will appear on a device. If a line is indented then it is a continuation of the previous line and the two combined represent the entire Device Marking for that device.

(6) Lead finish/Ball material - Orderable Devices may have multiple material finish options. Finish options are separated by a vertical ruled line. Lead finish/Ball material values may wrap to two lines if the finish value exceeds the maximum column width.

Important Information and Disclaimer:The information provided on this page represents TI's knowledge and belief as of the date that it is provided. TI bases its knowledge and belief on information provided by third parties, and makes no representation or warranty as to the accuracy of such information. Efforts are underway to better integrate information from third parties. TI has taken and continues to take reasonable steps to provide representative and accurate information but may not have conducted destructive testing or chemical analysis on incoming materials and chemicals. TI and TI suppliers consider certain information to be proprietary, and thus CAS numbers and other limited information may not be available for release.

In no event shall TI's liability arising out of such information exceed the total purchase price of the TI part(s) at issue in this document sold by TI to Customer on an annual basis.

DW (R-PDSO-G24)

PLASTIC SMALL OUTLINE



- NOTES:
- A. All linear dimensions are in inches (millimeters). Dimensioning and tolerancing per ASME Y14.5M-1994.
 - B. This drawing is subject to change without notice.
 - C. Body dimensions do not include mold flash or protrusion not to exceed 0.006 (0,15).
 - D. Falls within JEDEC MS-013 variation AD.

IMPORTANT NOTICE AND DISCLAIMER

TI PROVIDES TECHNICAL AND RELIABILITY DATA (INCLUDING DATASHEETS), DESIGN RESOURCES (INCLUDING REFERENCE DESIGNS), APPLICATION OR OTHER DESIGN ADVICE, WEB TOOLS, SAFETY INFORMATION, AND OTHER RESOURCES "AS IS" AND WITH ALL FAULTS, AND DISCLAIMS ALL WARRANTIES, EXPRESS AND IMPLIED, INCLUDING WITHOUT LIMITATION ANY IMPLIED WARRANTIES OF MERCHANTABILITY, FITNESS FOR A PARTICULAR PURPOSE OR NON-INFRINGEMENT OF THIRD PARTY INTELLECTUAL PROPERTY RIGHTS.

These resources are intended for skilled developers designing with TI products. You are solely responsible for (1) selecting the appropriate TI products for your application, (2) designing, validating and testing your application, and (3) ensuring your application meets applicable standards, and any other safety, security, or other requirements. These resources are subject to change without notice. TI grants you permission to use these resources only for development of an application that uses the TI products described in the resource. Other reproduction and display of these resources is prohibited. No license is granted to any other TI intellectual property right or to any third party intellectual property right. TI disclaims responsibility for, and you will fully indemnify TI and its representatives against, any claims, damages, costs, losses, and liabilities arising out of your use of these resources.

TI's products are provided subject to TI's Terms of Sale (www.ti.com/legal/termsofsale.html) or other applicable terms available either on ti.com or provided in conjunction with such TI products. TI's provision of these resources does not expand or otherwise alter TI's applicable warranties or warranty disclaimers for TI products.

Mailing Address: Texas Instruments, Post Office Box 655303, Dallas, Texas 75265
Copyright © 2020, Texas Instruments Incorporated