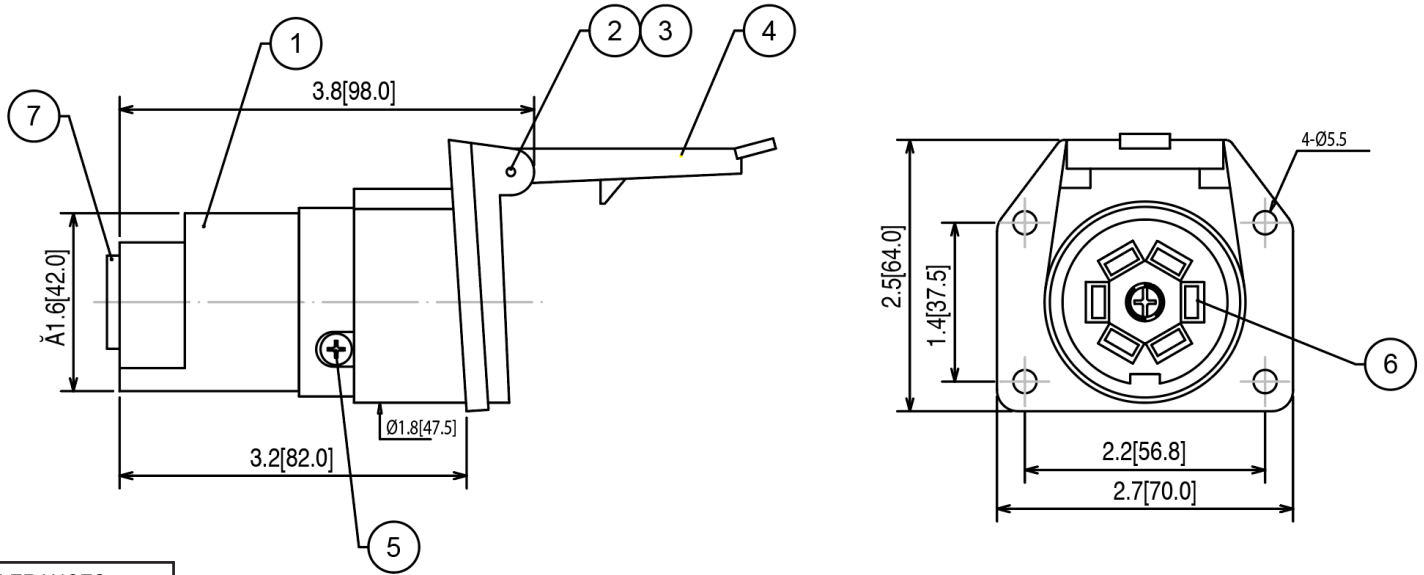


Mechanical Dimensions: Inches [mm]

Tolerances ± 0.012 [0.3] Unless Otherwise Specified



TOLERANCES:
 1mm~5mm: ± 0.1
 6mm~20mm: ± 0.2
 21mm~50mm: ± 0.3
 51mm~100mm: ± 0.5
ANGLES: $\pm 1^\circ$

Wiring Color Codes

A.T.A & S.A.E WIRING CODES RECOMMENDED STANDARD			
CIRCUITS	POLE WIRING COLOR CODE		RECOMMENDED WIRE GAUGE
Ground Return	White		10 GA
Electric Brake	Blue		12 GA
Tail, License and Running Lights	Green		14 GA
Battery Charge	Black		10 GA
Stop & Left Hand Turn Signal	Red		14 GA
Stop & Right Hand Turn Signal	Brown		14 GA
Auxiliary Circuit	Yellow		14 GA

Material Specifications

ITEM#	NAME	MATERIAL
1	SOCKET SHELL	ABS
2	HINGE PIN	IRON
3	SPRING	STAINLESS STEEL
4	COVER	ABS
5	SET SCREW	IRON
6	7-WAY TERMINAL	BRASS
7	WIRE BOOT	PVC

Rev	Date of issue	Revision Notes	Designed	Approved
A	07-16-2019	Initial Drawing	RC	OH