

**TECHNICAL SPECIFICATIONS:**

**I- MATERIAL :**

HOUSING: LCP GLASS FILLED UL 94V0 COLOR BLACK

TERMINAL : PHOSPHOR BRONZE PLATED WITH:

BASE FINISH: NICKEL.

CONTACT SURFACE FINISH:

GOLD,

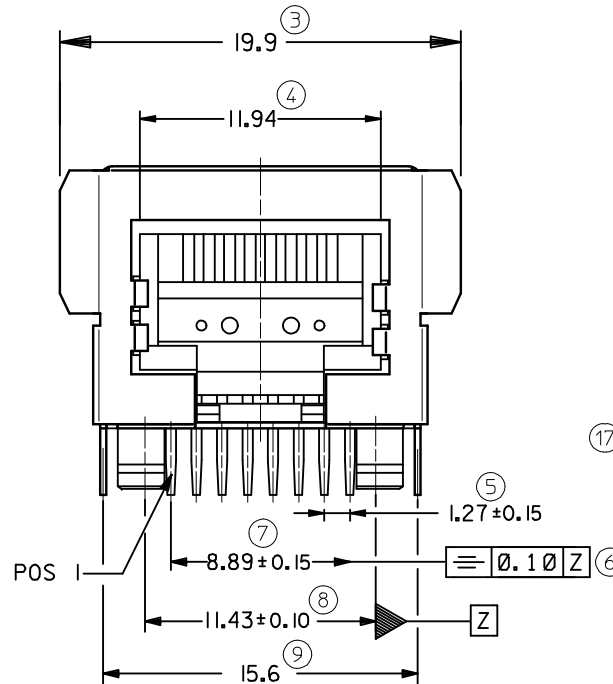
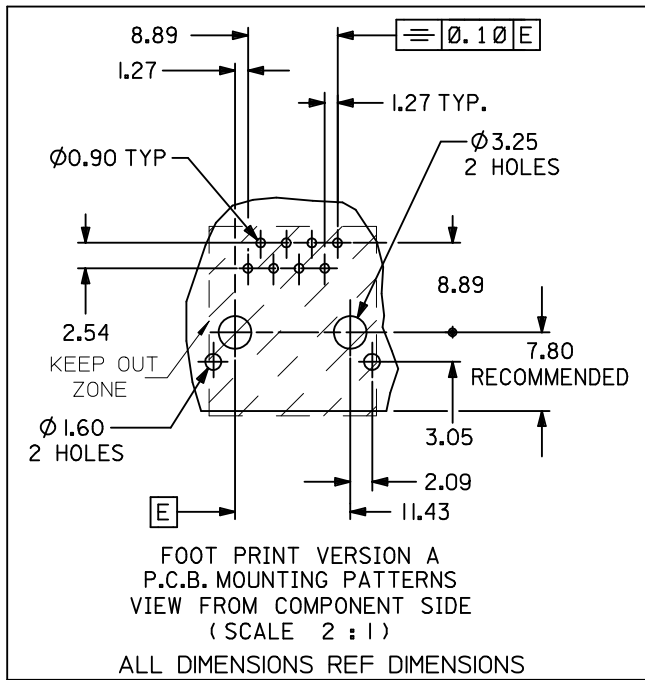
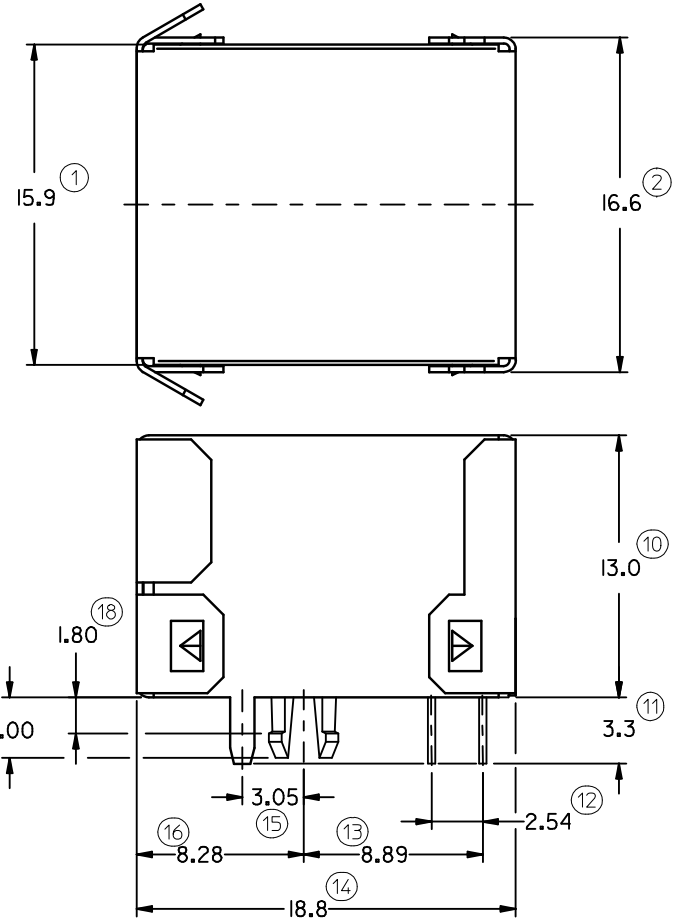
OR

GOLD FLASH OVER PALLADIUM NICKEL.

EXCEEDS PRODUCT REQUIREMENTS BASED ON PS-85543-002

SHIELD : BRASS PLATED WITH TIN

ENG.N.	FOOTPRINT VERSION	HOUSING SIZE	LOADED CKTS	TOOLED	PACKAGING SPEC. NOTE4
85505-5002	A	8	8	YES	PK-95122 SHEET 2



**NOTES:**

- 1- JACK FOR MATING WITH SHIELDED PLUG MOLEX 95043 AND 85568 SERIES.
  - 2- PRODUCT SPECIFICATION: MOLEX PS-85543-002
  - 3- APPLICATION SPECIFICATION: MOLEX AS-85513-001
  - 4- PACKAGING SPECIFICATION: MOLEX PK-95122 SEE CHART
  - 5- P.C. BOARD THICKNESS : 1.57
  - 6- EXCEEDS CATEGORY 5E PERFORMANCE.
- LAST INSPECTION NO.: 18

CHANGED PRODUCT SPECIFICATION EC NO: IPG2013-1149 DRW:DBYRNES 2013/02/13 CHKD:MSHANAHAN 2013/02/14 APPR:STGRIFFIN 2013/02/26	QUALITY SYMBOLS	GENERAL TOLERANCES (UNLESS SPECIFIED)	DIMENSION STYLE	SCALE	DESIGN UNITS	THIRD ANGLE PROJECTION
	▽=0 ∇=0	mm INCH 4 PLACES ± --- ± --- 3 PLACES ± --- ± --- 2 PLACES ± 0.25 ± --- 1 PLACE ± 0.35 ± --- ANGULAR ± 2 °	MM ONLY	4:1	METRIC	DRAWN BY DATE TMARTIN 2005/03/07 CHECKED BY DATE FCARABETTA 2005/03/07 APPROVED BY DATE KNOLLER 2005/03/07
		DRAFT WHERE APPLICABLE MUST REMAIN WITHIN DIMENSIONS	SEE CHART	TITLE	HIGH SPEED MODULAR JACK R/A FULLY SHIELDED THROUGH HOLE - VERSION A	
				MATERIAL NO.	DOCUMENT NO.	SHEET NO.