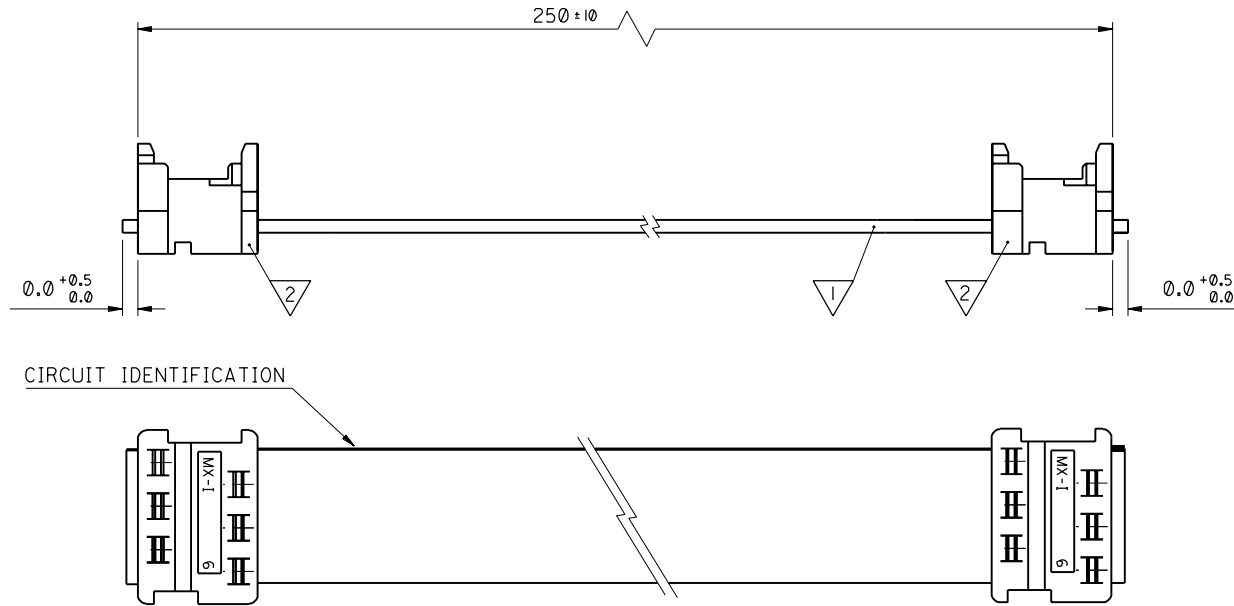


PART NO. 92301-0120
 DWG. NO. SD-92301-185



ITEM	COMPONENT	DESCRIPTION	QTY	NOTE
1	99026-0028	6 CCT 28 AWG STRANDED TINNED RIBBON CABLE	1	3, 4
2	90327-0357	PICOFLEX FEMALE IDT CONNECTOR	2	1, 2, 4

NOTES:

1. SEE PRODUCT SPECIFICATIONS PS-99020-0011.
2. SEE TERMINATION SPECIFICATION ES-99033-0001.
3. SEE CABLE SPECIFICATION ES-99027-0006.
4. HARNESSES TO BE 100% ELECTRICALLY TESTED.

ORIGINAL RELEASE EC NO. 1999-0540 DRWN: D.RYAN 99/06/01 CHK: / / / / APPR: / / / / A	DESCRIPTION MAJOR = CRITICAL = C =	QUALITY SYMBOLS		GENERAL TOLERANCES: (UNLESS SPECIFIED)		SCALE 1 : 1	DESIGN UNITS <input checked="" type="checkbox"/> mm <input type="checkbox"/> INCH	THIRD ANGLE PROJECTION	DIMENSIONS: <input type="checkbox"/> mm <input type="checkbox"/> INCH <input checked="" type="checkbox"/> mm ONLY	SHT REV
		4 PLACES ±0. mm ±. INCH	DRAWN BY & DATE D.RYAN 99/06/01	TITLE: 6 CCT RIBBON CABLE HARNESS NOKIA DISPLAY P/N QMI065						
		3 PLACES ±0. mm ±. INCH	CHECKED BY & DATE BENRIGHT 99/06/01	MOLEX INCORPORATED						
		2 PLACES ±0. mm ±. INCH	APPROVED BY & DATE MWILHITE 99/06/01	MATERIAL NO. 92301-0120	DRAWING NO. SD-92301-185	SHEET NO. 1 OF 1				
1 PLACE ±0. mm ±. INCH	ANGULAR: ± 1/2 °	CAD FILENAME		THIS DRAWING CONTAINS INFORMATION THAT IS PROPRIETARY TO MOLEX INCORPORATED AND SHOULD NOT BE USED WITHOUT WRITTEN PERMISSION.						
DRAFT WHERE APPLICABLE MUST REMAIN WITHIN DIMENSIONS		SIZE B								