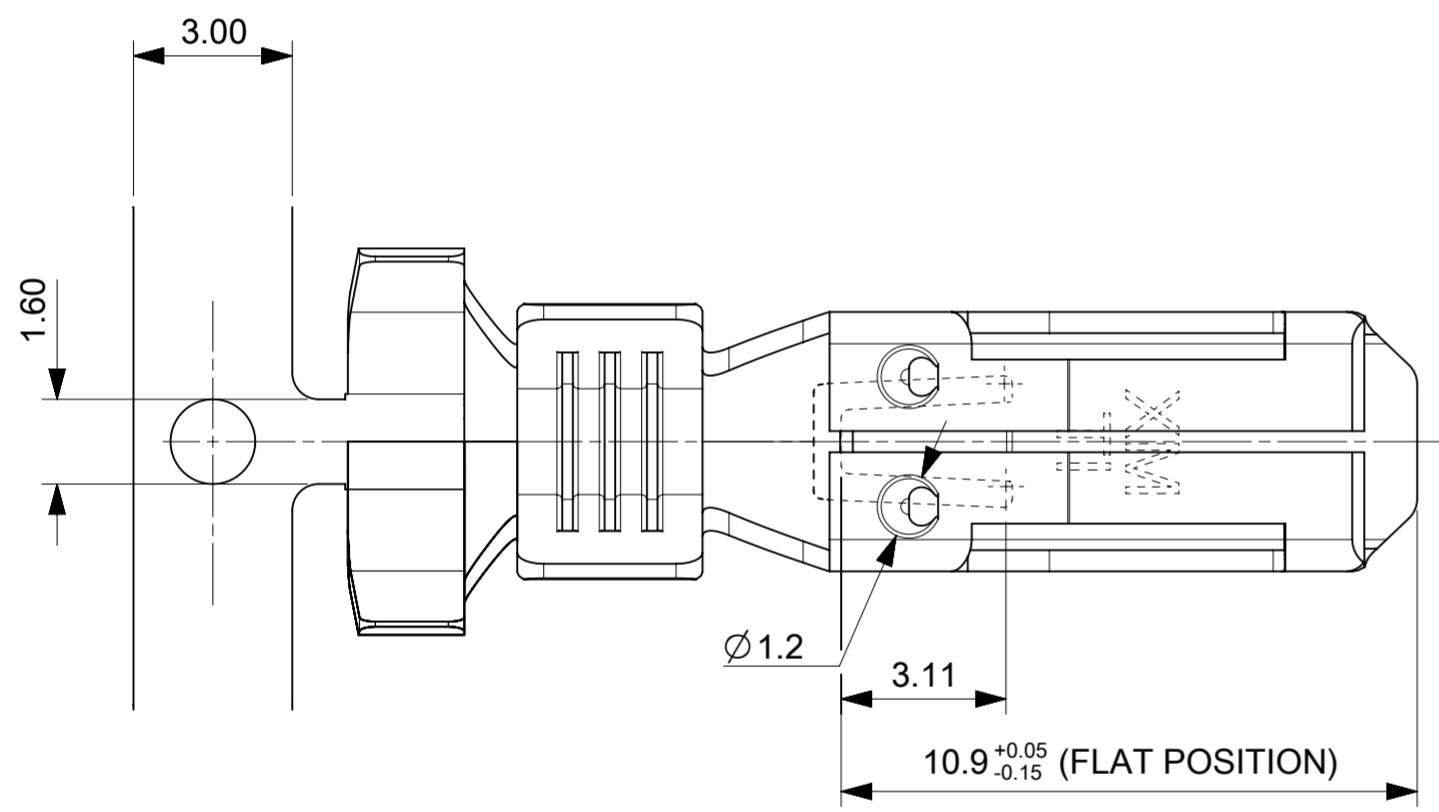


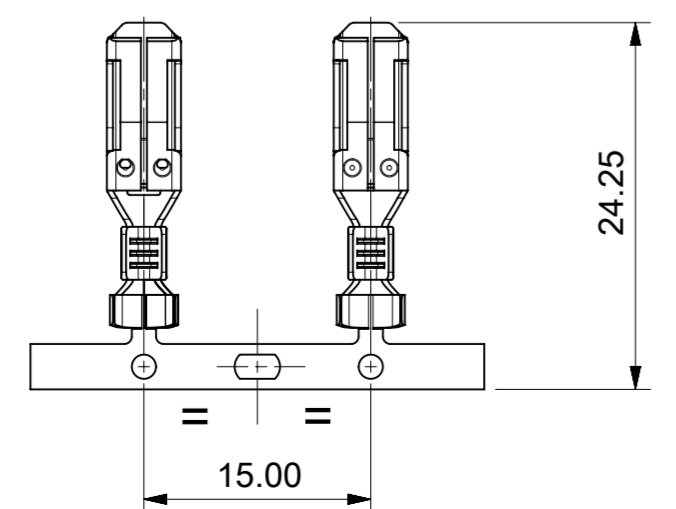
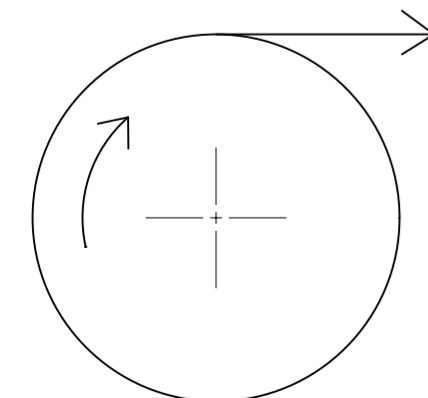
SECTION A-A

SECTION B-B



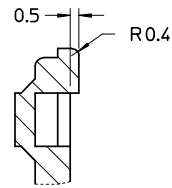
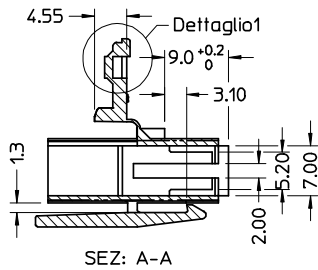
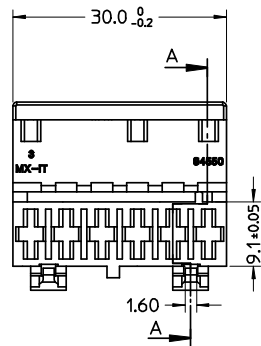
P/N	PLATING	MATERIAL	WIRE RANGE	INS. RANGE	DIMENSION				
					A	B	C	D	E
94518-0100	PLAIN	BRASS	0.5 - 1.0	2.2 - 2.8	4.5	4.5	3.0	3.0	/
94518-0101	TIN								
94518-0200	PLAIN	BRASS	1.0 - 2.5 FOR SINGLE DOUBLE CABLES	2.6 - 3.8	5.5	5.5	4.1	4.3	/
94518-0201	TIN								
94518-0400	PLAIN	BRASS	1.5 - 3.0 FOR DOUBLE CABLES	-	7.3	5.1	5.2	4.0	1.8
94518-0401	TIN								
94518-0300	PLAIN	BRASS	4.0	3.4 - 3.7	5.5	5.5	5.0	5.1	/
94518-0301	TIN								

DIRECTION OF UNREELING



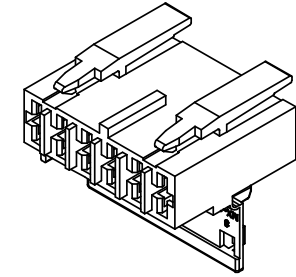
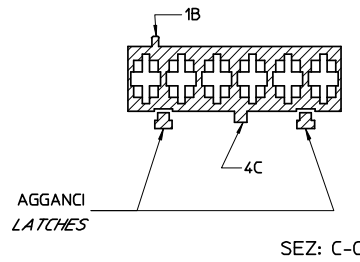
PACKAGING: REFER 945180001-PK  
 STD. DESCRIPTION: HNF TERM (material-plating-wire gauge)

FUNCTIONAL SYMBOLS $F_A = 0$ $F_C = 0$ $F_P = 0$ DIVISIONAL SYMBOLS	THIS DRAWING CONTAINS INFORMATION THAT IS PROPRIETARY TO MOLEX ELECTRONIC TECHNOLOGIES, LLC AND SHOULD NOT BE USED WITHOUT WRITTEN PERMISSION		CURRENT REV DESC: REMOVED PN: 94518-0120,-0121,-0220,-0221			
	DIMENSION UNITS: mm	SCALE: 7:1	EC NO: 657968			RAST 5 CRIMP TERMINAL PRODUCT CUSTOMER DRAWING
	GENERAL TOLERANCES (UNLESS SPECIFIED)		DRWN: SCV 2021/03/09			
	ANGULAR TOL ± 2.0°		CHK'D: MBN02 2021/03/15			
4 PLACES ±		APPR: SDEVITT 2021/03/22		DOCUMENT NUMBER: 945180001 DOC TYPE: PSD DOC PART: 000 REVISION: A1		
3 PLACES ±		INITIAL REVISION: DRWN: AKABADI 2021/01/07				
2 PLACES ± 0.1		APPR: SDEVITT 2021/02/25		MATERIAL NUMBER: SEE TABLE CUSTOMER: GENERAL MARKET SHEET NUMBER: 1 OF 1		
1 PLACE ± 0.2		DRAFT WHERE APPLICABLE MUST REMAIN WITHIN DIMENSIONS				
0 PLACES ±		THIRD ANGLE PROJECTION	DRAWING: A2-SIZE	SERIES: 94518		



Dettaglio1  
SCALA 5:1

CONFIGURAZIONE POLARIZZAZIONI  
POLARIZATION CONFIGURATION

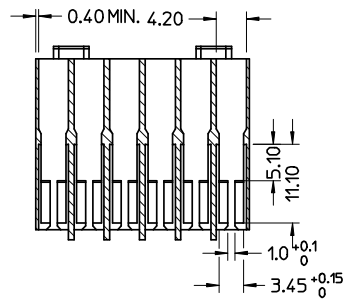
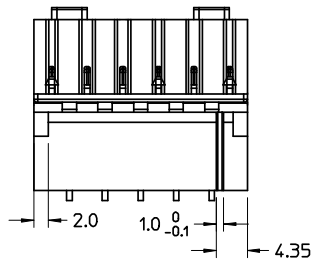


NOTE:

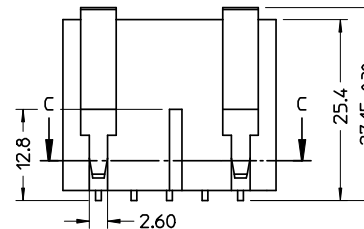
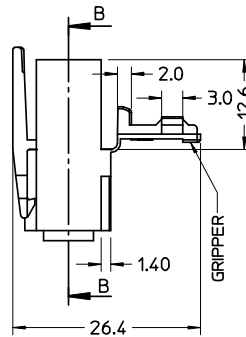
- USATO CON TERMINALE 94518-0XXX E 94549-0XXX
- SPECIFICA DI RIFERIMENTO PER IL CONNETTORE PS-94550-001
- PER CARATTERISTICHE DI CRIMPATURA RIF. SD-94518-005 E SD-94549-001
- FORZA DI DISACCOPIAMENTO CONNETTORE (TRAZIONANDO DAI CAVI SENZA AZIONARE L'AGGANCI): 60 N MIN.
- SPESSORE MINIMO PARETI CONNETTORE 0.40 mm.

NOTE:

- USED WITH TERMINALS 94518-0XXX AND 94549-0XXX
- REFER TO PS-94550-001 FOR CONNECTOR SPECIFICATION
- REFER TO SD-94518-005 AND SD-94549-001 FOR CRIMPING CHARACTERISTICS
- CONNECTOR DISENGAGEMENT FORCE (PULLING BY THE WIRES, WITHOUT ACTUATING THE LATCH): 60 N MIN.
- MINIMUM CONNECTOR WALL THICKNESS 0.40 mm.



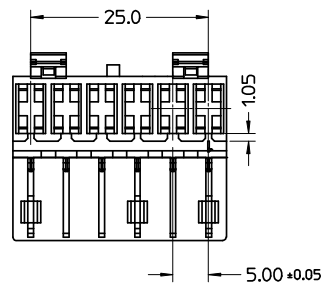
SEZ: B-B



MATERIALE: NYLON 6.6 GWT 750°C sec. IEC 60335-1  
TEST METHOD IEC 60695-2-11 colore naturale

MATERIAL: NYLON 6.6 GWT 750°C sec. IEC 60335-1  
TEST METHOD IEC 60695-2-11 natural

CONFEZIONE: Box da 1100 Pz.  
PACKAGING: 1100 pcs in carton box



SPQ =1100

Std. Descr: 'HSG W/SEC LOCK AND EXT LATCHES 6 CKT \_\_\_\_\_ COLOR'

EC NO: Z2005-0066 DRWN:FGOTTARD2004/11/02 CHKD:RSANDANO2004/11/02 APPR:GZUIN 2004/11/02	DESCRIPTION HSG 6 CKT WITH SEC LOCK AND EXT LATCHES	QUALITY SYMBOLS	GENERAL TOLERANCES (UNLESS SPECIFIED)	SCALE 2:1	DESIGN UNITS METRIC	FIRST ANGLE PROJECTION	REVISE ON CAD ONLY
		▽ 0 ▽ 0.2	mm INCH 4 PLACES ± --- ± --- 3 PLACES ± --- ± --- 2 PLACES ± 0.10 ± --- 1 PLACE ± 0.2 ± ---	DIMENSION STYLE MM ONLY	TITLE HSG 6 CKT WITH SEC LOCK AND EXT LATCH		
		DRAFT WHERE APPLICABLE MUST REMAIN WITHIN DIMENSIONS	DRAWN BY FGOTTARD CHECKED BY RSANDANO APPROVED BY GZUIN	DATE 2004/10/29 DATE 2004/10/29 DATE 2004/10/29	MATERIAL NO. 94550-4106 DOCUMENT NO. SD-94550-022	SHEET NO. 1 OF 1	
		THIS DRAWING CONTAINS INFORMATION THAT IS PROPRIETARY TO MOLEX INCORPORATED AND SHOULD NOT BE USED WITHOUT WRITTEN PERMISSION			MOLEX INCORPORATED		A2