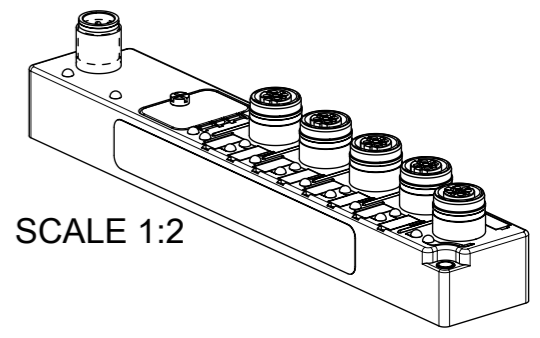
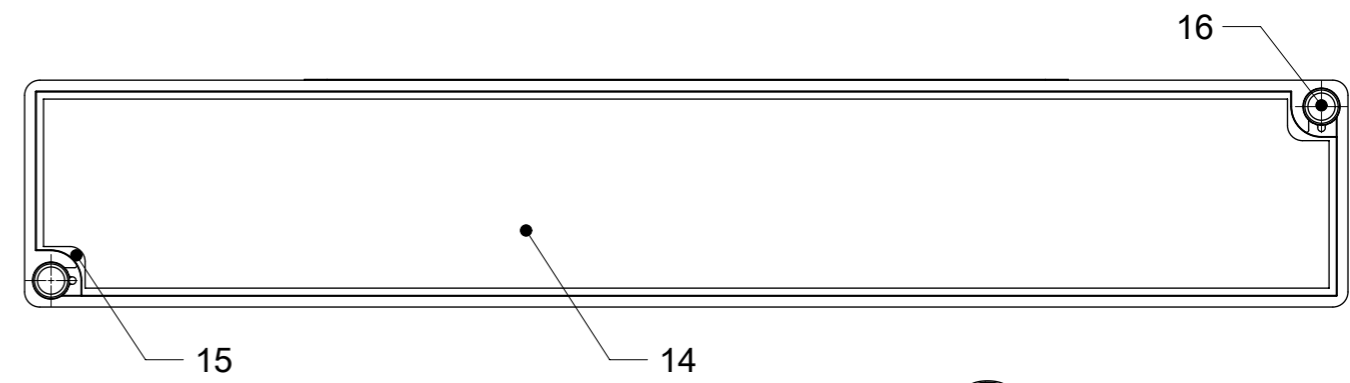
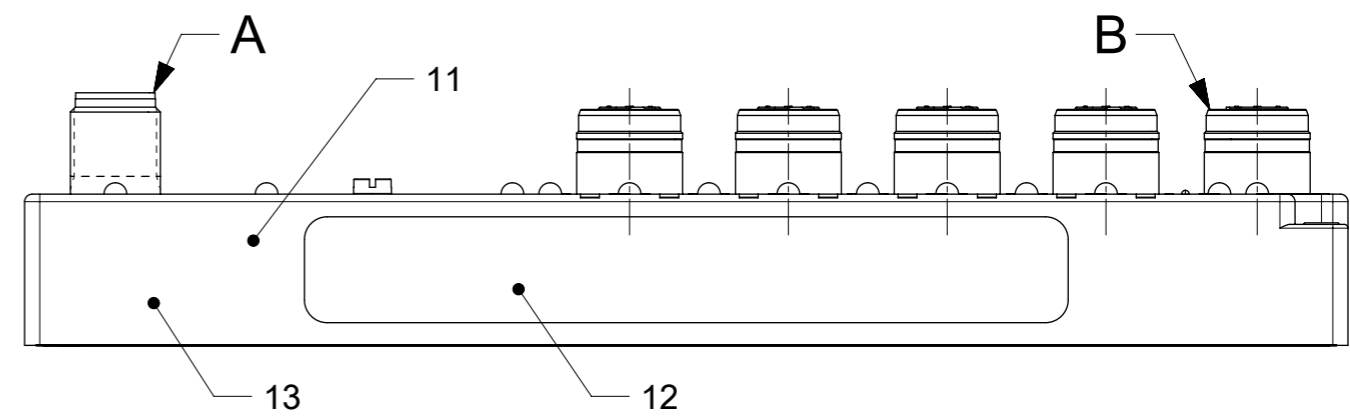
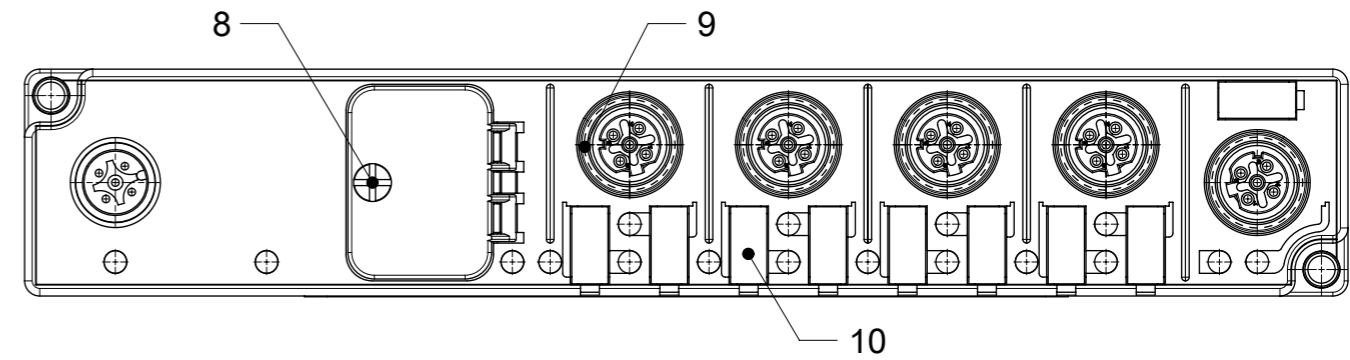
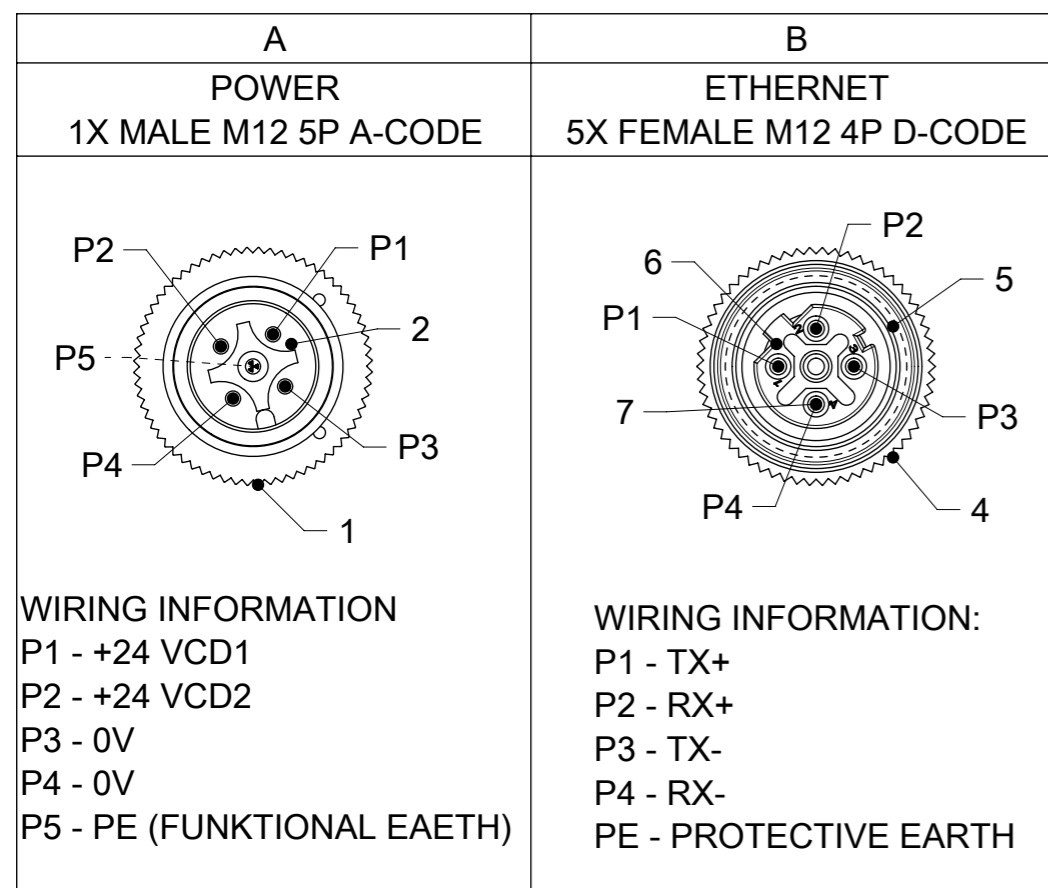


THIS DRAWING CONTAINS INFORMATION THAT IS PROPRIETARY TO MOLEX ELECTRONIC TECHNOLOGIES, LLC AND SHOULD NOT BE USED WITHOUT WRITTEN PERMISSION									
DIMENSION UNITS		SCALE		CURRENT REV DESC:				molex	
mm									
GENERAL TOLERANCES (UNLESS SPECIFIED)				EC NO: 605624				DBO ETH SW 30 MM U12 4P 5PT FE M12 5P MA	
ANGULAR TOL ± °				DRWN: PDODDAMANEMY 2018/10/08					
4 PLACES ±				CHK'D: RSILLER 2018/10/12					
3 PLACES ±				APPR: RSILLER 2018/10/12					
2 PLACES ±				INITIAL REVISION:				PRODUCT CUSTOMER DRAWING	
1 PLACE ± 0.3				DRWN: PDODDAMANEMY 2018/10/08				DOCUMENT NUMBER	
0 PLACES ± 0.5				APPR: RSILLER 2018/10/12				1121115004	
DRAFT WHERE APPLICABLE MUST REMAIN WITHIN DIMENSIONS		THIRD ANGLE PROJECTION		DRAWING		SERIES		MATERIAL NUMBER	
				A3-SIZE		112111		SEE TABLE 1	
				CUSTOMER		GENERAL MARKET		SHEET NUMBER	
								1 OF 3	



BILL OF MATERIAL

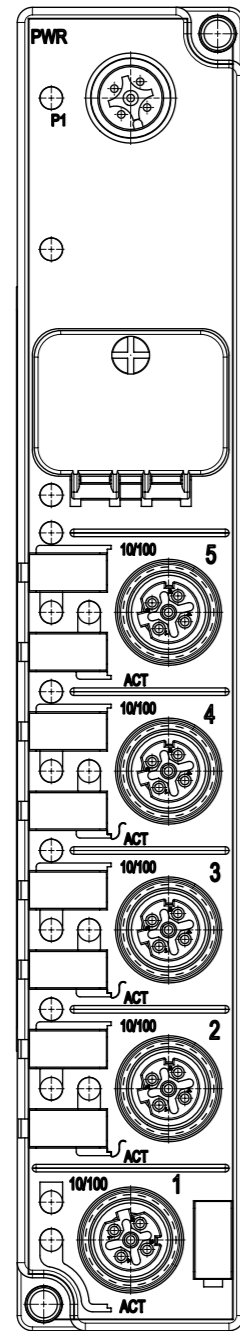
ITEM	DESCRIPTION	MATERILA	FINISH
1	SHELL	BRASS	NICKEL PLATET
2	INSERT	PVC	BLACK
3	CONTACT	COPPER ALLOY	GOLD OVER NICKEL
4	SHELL	BRASS	NICKEL PLATET
5	GASKET	FPM	RED
6	INSERT	PVC	BLACK
7	CONTACT	COPPER ALLOY	GOLD OVER NICKEL
8	SCREW	V2A	V2A
9	WINDOW	PC	BLACK
10	LABEL	PC	WHITE
11	LED	PA	TRANSPARENT
12	LABEL	PVC	YELLOW
13	HOUSING	PBT	BLACK
14	LABEL	PVC	WHITE
15	RESIN	EPOXY	TRANSPARENT
16	SLEEVE	BRASS	NICKEL

THIS DRAWING CONTAINS INFORMATION THAT IS PROPRIETARY TO MOLEX ELECTRONIC TECHNOLOGIES, LLC AND SHOULD NOT BE USED WITHOUT WRITTEN PERMISSION

DIMENSION UNITS mm	SCALE	CURRENT REV DESC:	molex		
GENERAL TOLERANCES (UNLESS SPECIFIED)		EC NO: 605624			
ANGULAR TOL ± °		DRWN: PDODDAMANEMY 2018/10/08	PRODUCT CUSTOMER DRAWING		
4 PLACES ±		CHK'D: RSILLER 2018/10/12	DOCUMENT NUMBER		
3 PLACES ±		APPR: RSILLER 2018/10/12	1121115004		
2 PLACES ±		INITIAL REVISION:	DOC TYPE	DOC PART	REVISION
1 PLACE ± 0.3		DRWN: PDODDAMANEMY 2018/10/08	PSD	000	A
0 PLACES ± 0.5		APPR: RSILLER 2018/10/12	SHEET NUMBER		
DRAFT WHERE APPLICABLE MUST REMAIN WITHIN DIMENSIONS	THIRD ANGLE PROJECTION	DRAWING	SERIES	MATERIAL NUMBER	CUSTOMER
		A3-SIZE	112111	SEE TABLE 1	GENERAL MARKET

10 9 8 7 6 5 4 3 2 1

F
E
D
C
B
A



ETHERNET SWITCH PRINTING

TABLE 1 ETHERNET SWITCH			
POWER TYPE	ENG.NO.	MOLEX P/N	3D MODEL NO.
M12 MALE 5P	BTT-DRL-750	1121115004	1121115004 (PDM)

THIS DRAWING CONTAINS INFORMATION THAT IS PROPRIETARY TO MOLEX ELECTRONIC TECHNOLOGIES, LLC AND SHOULD NOT BE USED WITHOUT WRITTEN PERMISSION										
DIMENSION UNITS	SCALE	CURRENT REV DESC:				molex				
mm		EC NO: 605624 DRWN: PDODDAMANEMY 2018/10/08 CHK'D: RSILLER 2018/10/12 APPR: RSILLER 2018/10/12								
GENERAL TOLERANCES (UNLESS SPECIFIED)		DRWN: PDODDAMANEMY 2018/10/08 APPR: RSILLER 2018/10/12				DBO ETH SW 30 MM U12 4P 5PT FE M12 5P MA				
ANGULAR TOL	± °	INITIAL REVISION:				PRODUCT CUSTOMER DRAWING				
4 PLACES	±	DRWN: PDODDAMANEMY 2018/10/08 APPR: RSILLER 2018/10/12				DOCUMENT NUMBER		DOC TYPE	DOC PART	REVISION
3 PLACES	±					1121115004		PSD	000	A
2 PLACES	±					MATERIAL NUMBER		CUSTOMER		SHEET NUMBER
1 PLACE	± 0.3					SEE TABLE 1		GENERAL MARKET		3 OF 3
0 PLACES	± 0.5									
DRAFT WHERE APPLICABLE MUST REMAIN WITHIN DIMENSIONS		THIRD ANGLE PROJECTION	DRAWING	SERIES	MATERIAL NUMBER		CUSTOMER		SHEET NUMBER	
			A3-SIZE	112111	SEE TABLE 1		GENERAL MARKET		3 OF 3	

DOCUMENT STATUS	P1	RELEASE DATE	2018/10/12	07:15:39
-----------------	----	--------------	------------	----------

10 9 8 7 6 5 4 3 2 1