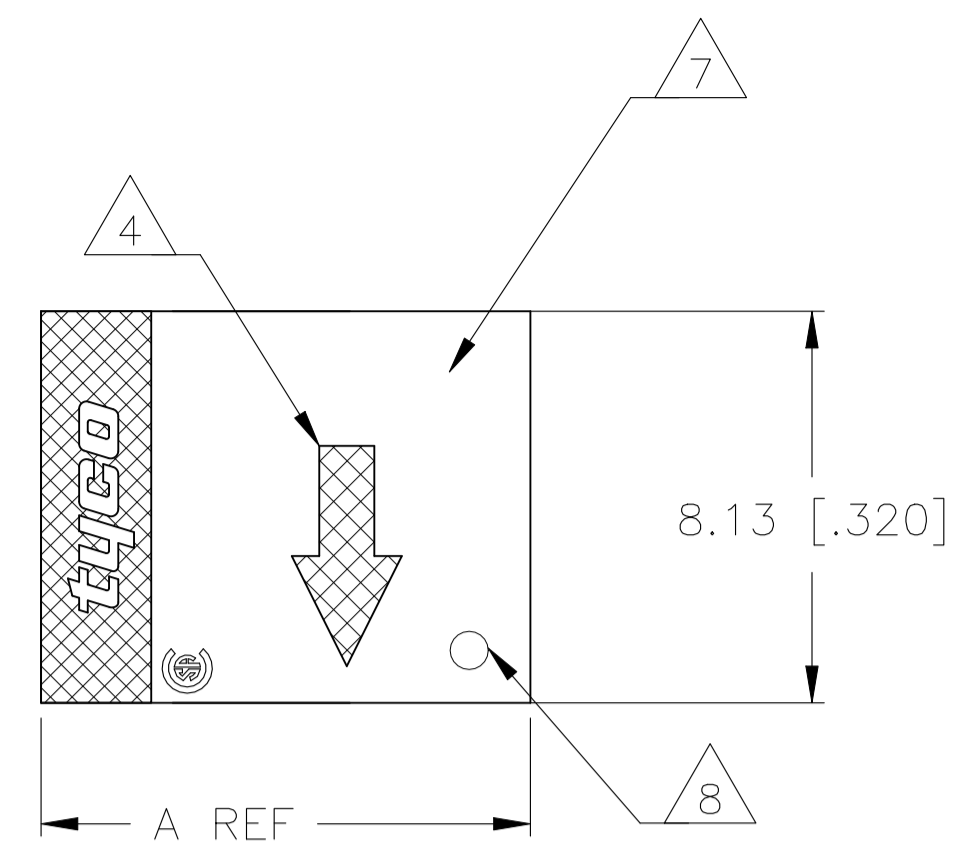
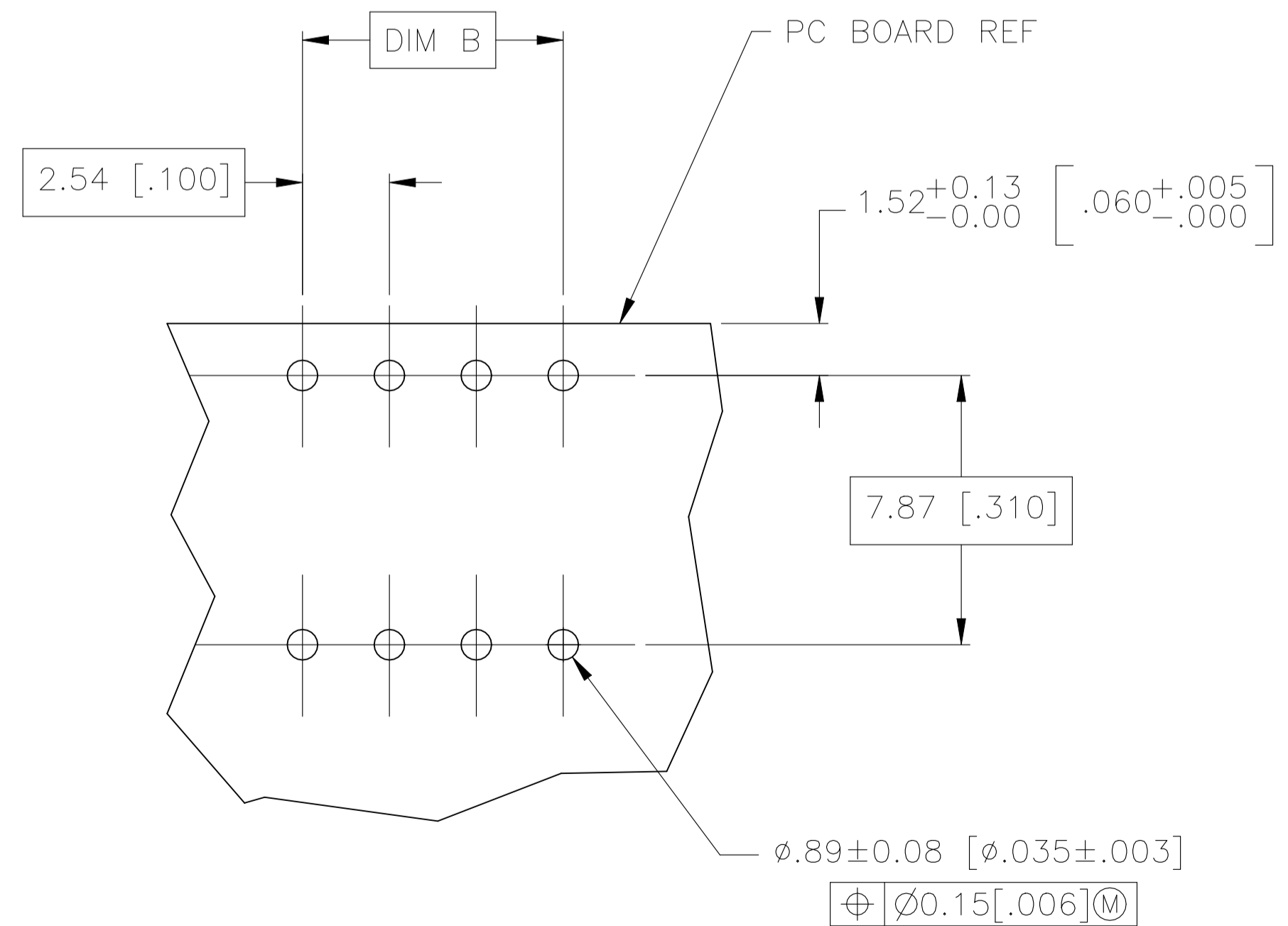
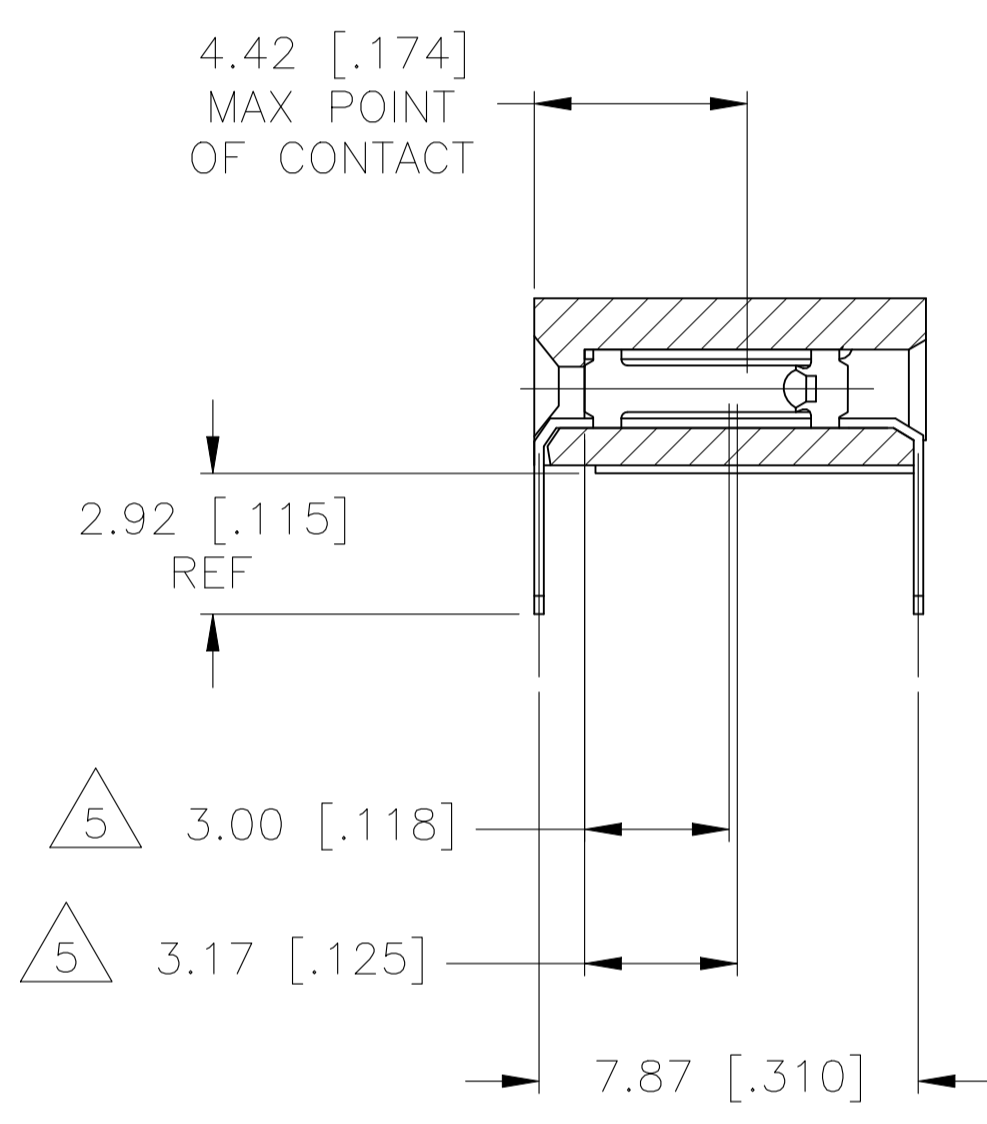
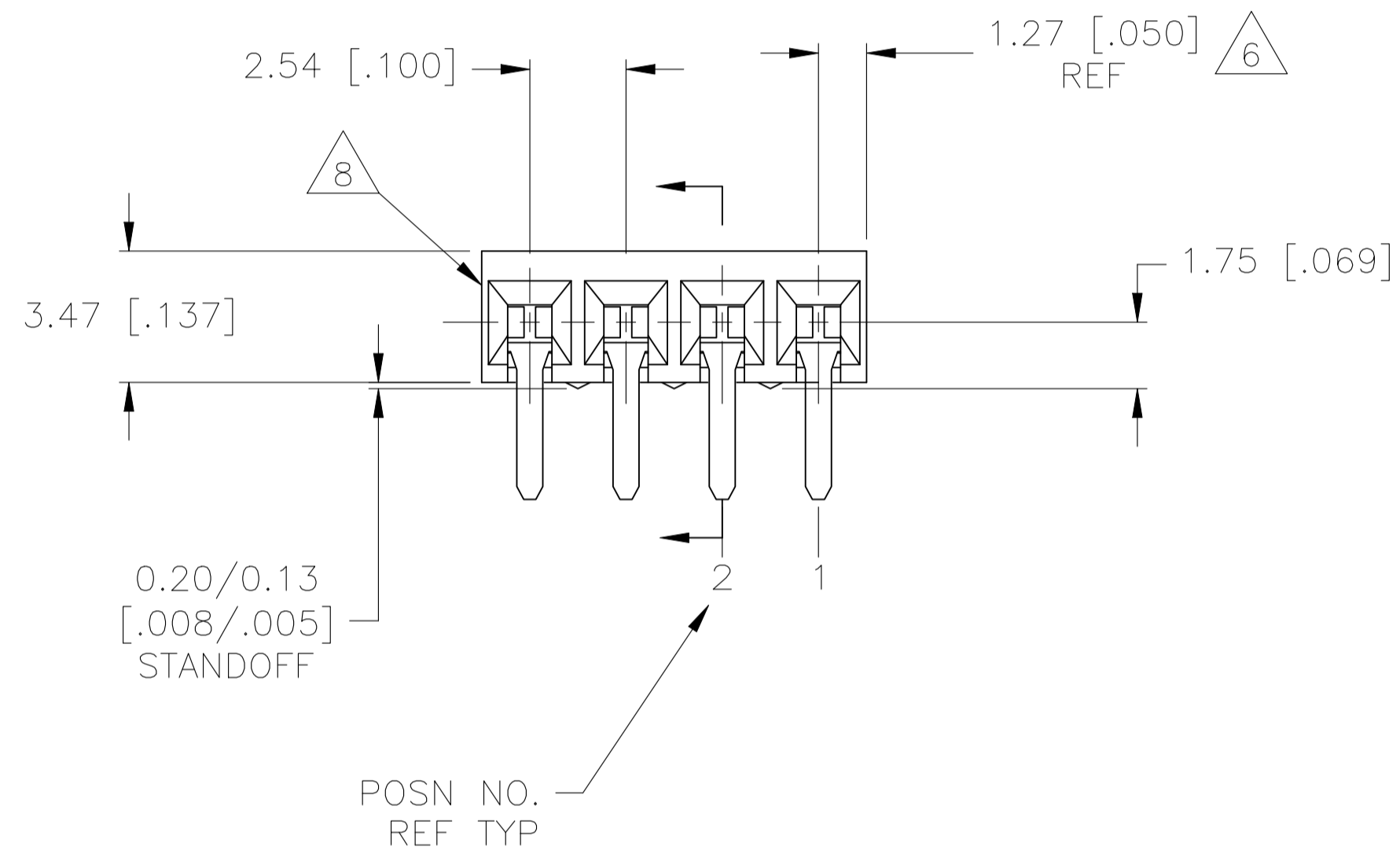


REVISIONS				
REV	DESCRIPTION	DATE	BY	APP'D
B	RESIN SUPPLIER CHANGE FOR THE HOUSING	02DEC2021	SCB	KJK



- 1 HOUSING MATERIAL: GLASS FILLED POLYESTER, COLOR- BLACK
- 2 CONTACT MATERIAL: PHOSPHOR BRONZE
- 3 CONTACT FINISH: 0.00025[.000010] THK DUPLEX PLATED GOLD ON CONTACT AREA, 0.00127[.000050] MIN THK BRIGHT TIN-LEAD OR TIN ON SOLDERLEADS, ALL OVER 0.00127[.000050] NICKEL
- 4 MOLDED IN ARROW DESIGNATES THE MATING FACE OF THE CONNECTOR
- 5 POINT OF MEASUREMENT FOR PLATING THICKNESS OF CONTACT AREA
- 6 DIMENSIONS PERTAIN TO HOUSING CAVITY CENTERLINES
- 7 DATE CODE AND PART NUMBER MARKED IN APPROXIMATE LOCATION SHOWN.
- 8 PIN #1 INDICATOR, WHITE DOT



RECOMMENDED PC BOARD LAYOUT

17.78[.700]	20.32[.800]	8	1977215-7
B	A	NO. OF POSN	ASSEMBLY PART NUMBER

THIS DRAWING IS A CONTROLLED DOCUMENT.

DIMENSIONS: mm	TOLERANCES UNLESS OTHERWISE SPECIFIED:	DIN M. BINNER 01NOV07	APVD J. OLSON 01NOV07	NAME
0. PLC ± -	1. PLC ± -	2. PLC ± -	3. PLC ± 0.13[.005]	4. PLC ± -
ANGLES ± -				
MATERIAL	FINISH	WEIGHT	SIZE	CAGE CODE
			A1	00779
			DRAWING NO.	1977215
			RESTRICTED TO	
			CUSTOMER DRAWING	SCALE 5:1 SHEET 1 OF 1 REV B