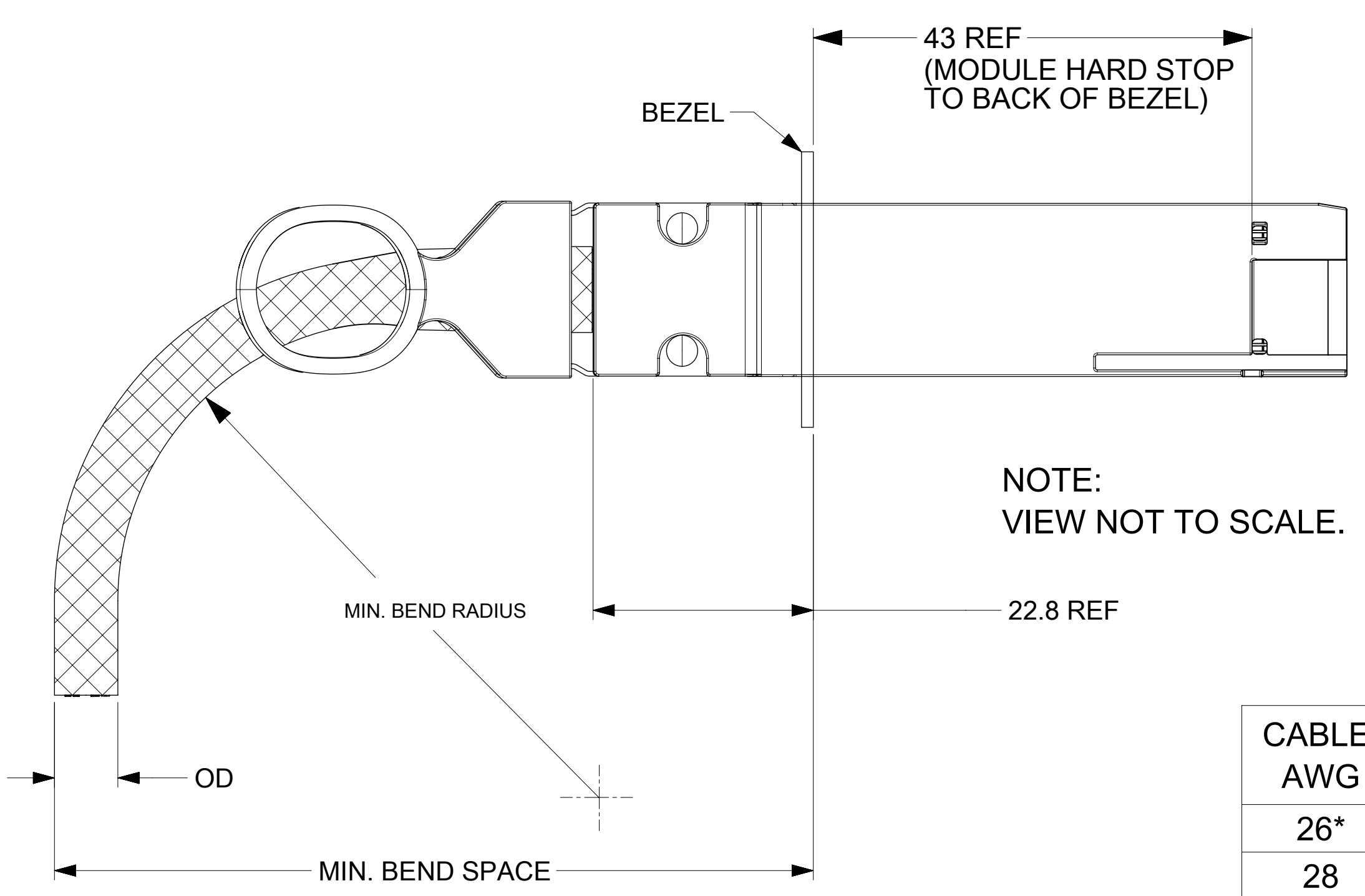


- NOTES:**
- CABLE LENGTH DEPENDS ON WIRE GAUGE, DATA RATE, AND HOST BOARD DRIVER CAPABILITIES
 - MATERIALS:**
 - BACKSHELLS - ZINC DIE CAST WITH BRIGHT NICKEL PLATING
 - DELATCH - STAINLESS STEEL WITH OVERMOLDED NYLON
 - RIVETS - STAINLESS STEEL
 - IMPEDANCE - 100 OHMS DIFFERENTIAL
 - BUNDLED CABLE RATED UL VW-1 FLAME PER UL STYLE 21479
 - EEPROM MAP AVAILABLE UPON REQUEST
 - RoHS COMPLIANT, NO EXEMPTIONS

FUNCTIONAL SYMBOLS FA = 0 FE = 0 FP = 0 DIVISIONAL SYMBOLS	DIMENSION UNITS: mm SCALE: 2:1		CURRENT REV DESC:			
	GENERAL TOLERANCES (UNLESS SPECIFIED)		EC NO: 638892 DRWN: JJACKSON02 2020/06/01 CHK'D: RWHIPPLE 2020/06/02 APPR: MGARRISON 2020/06/03			PRODUCT CUSTOMER DRAWING
	ANGULAR TOL ± 5.0°		INITIAL REVISION: DRWN: JJACKSON02 2020/05/26 APPR: MGARRISON 2020/05/26			DOCUMENT NUMBER: 2015913104
	4 PLACES ± 3 PLACES ± 2 PLACES ± 0.13 1 PLACE ± 0.25 0 PLACES ±		DRAFT WHERE APPLICABLE MUST REMAIN WITHIN DIMENSIONS			DOC TYPE: PSD DOC PART: 000 REVISION: C
DRAFT WHERE APPLICABLE MUST REMAIN WITHIN DIMENSIONS		THIRD ANGLE PROJECTION		DRAWING: D-SIZE SERIES: 201591	MATERIAL NUMBER: SEE P/N TABLE CUSTOMER: GENERAL MARKET SHEET NUMBER: 1 OF 4	

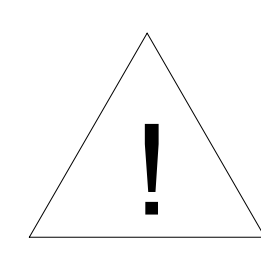
DOCUMENT STATUS	P1	RELEASE DATE	2020/06/03	19:05:52
-----------------	----	--------------	------------	----------

CABLE BEND RADIUS

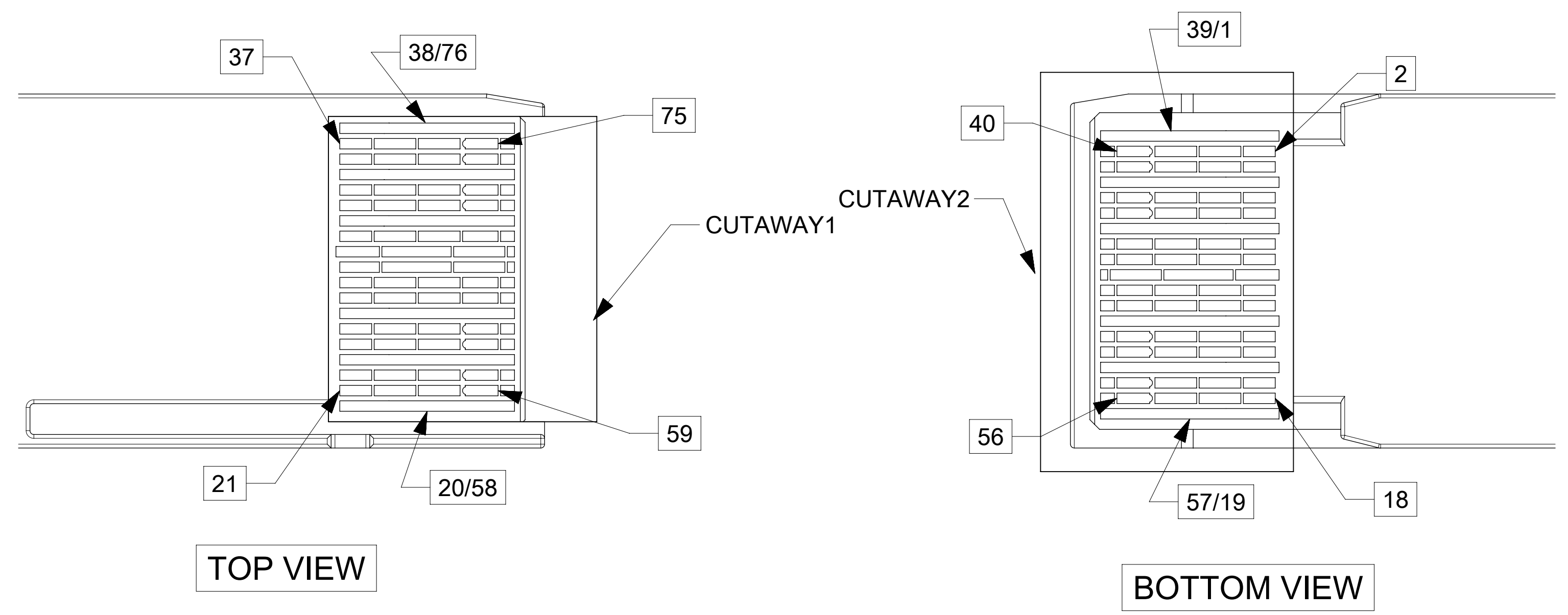


NOTE:
VIEW NOT TO SCALE.

CABLE AWG	OD (mm)	MIN BEND RADIUS (mm)	MIN BEND SPACE (mm)
26*	(13)	(65)	(101)
28	(11)	(55)	(89)
30	(9.4)	(45)	(77)



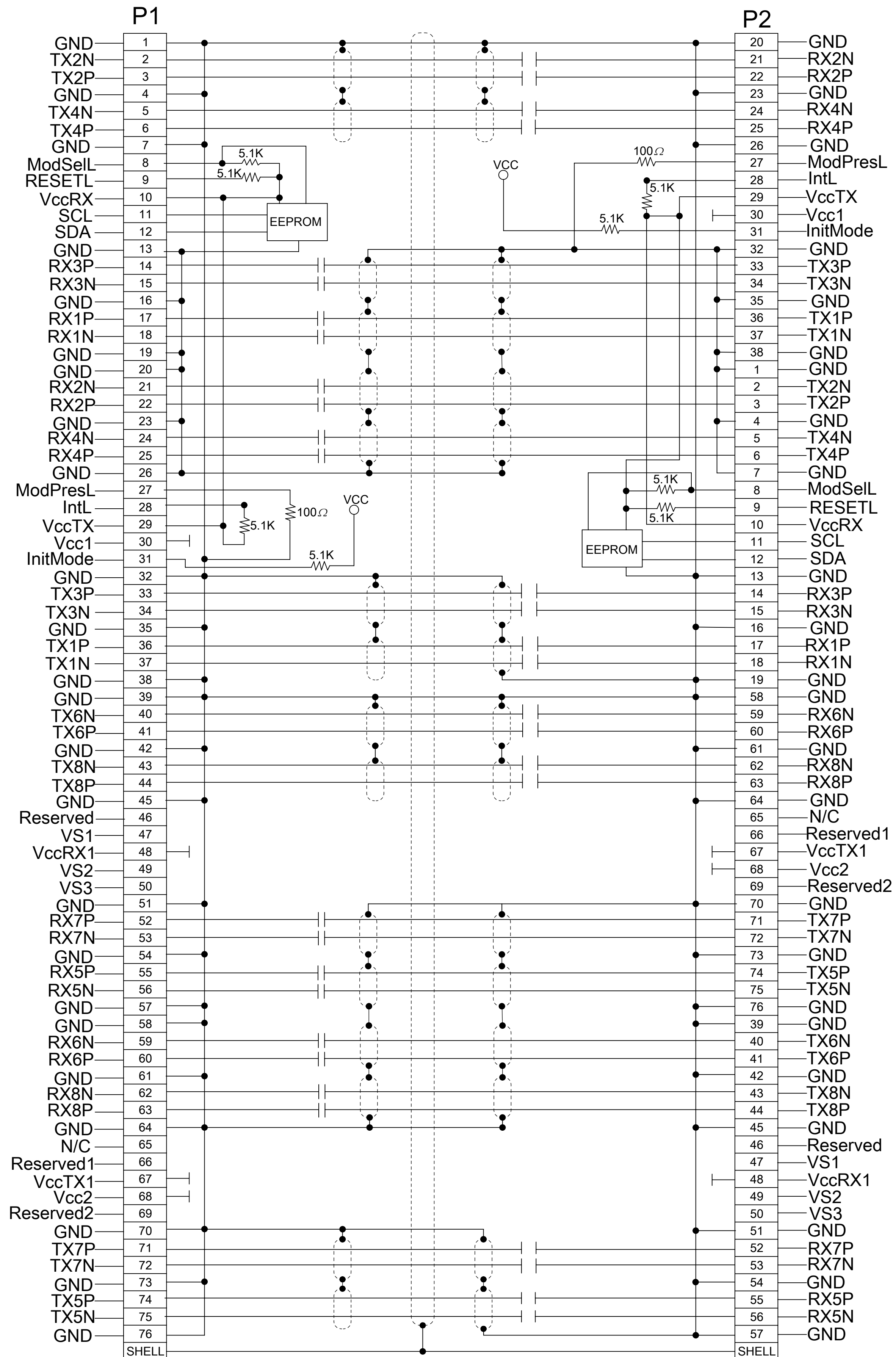
*MINIMUM BEND RADIUS PENDING QUALIFICATION. NUMBERS ABOVE ARE ESTIMATES AND SUBJECT TO CHANGE.



- NOTES:
- DC BLOCKING CAPS ON RECEIVE SIDE ONLY
 - CABLE COILED AND PACKAGED IN BEST FIT ESD BAG AND SEALED WITH ESD LABEL FOR SHIPPING

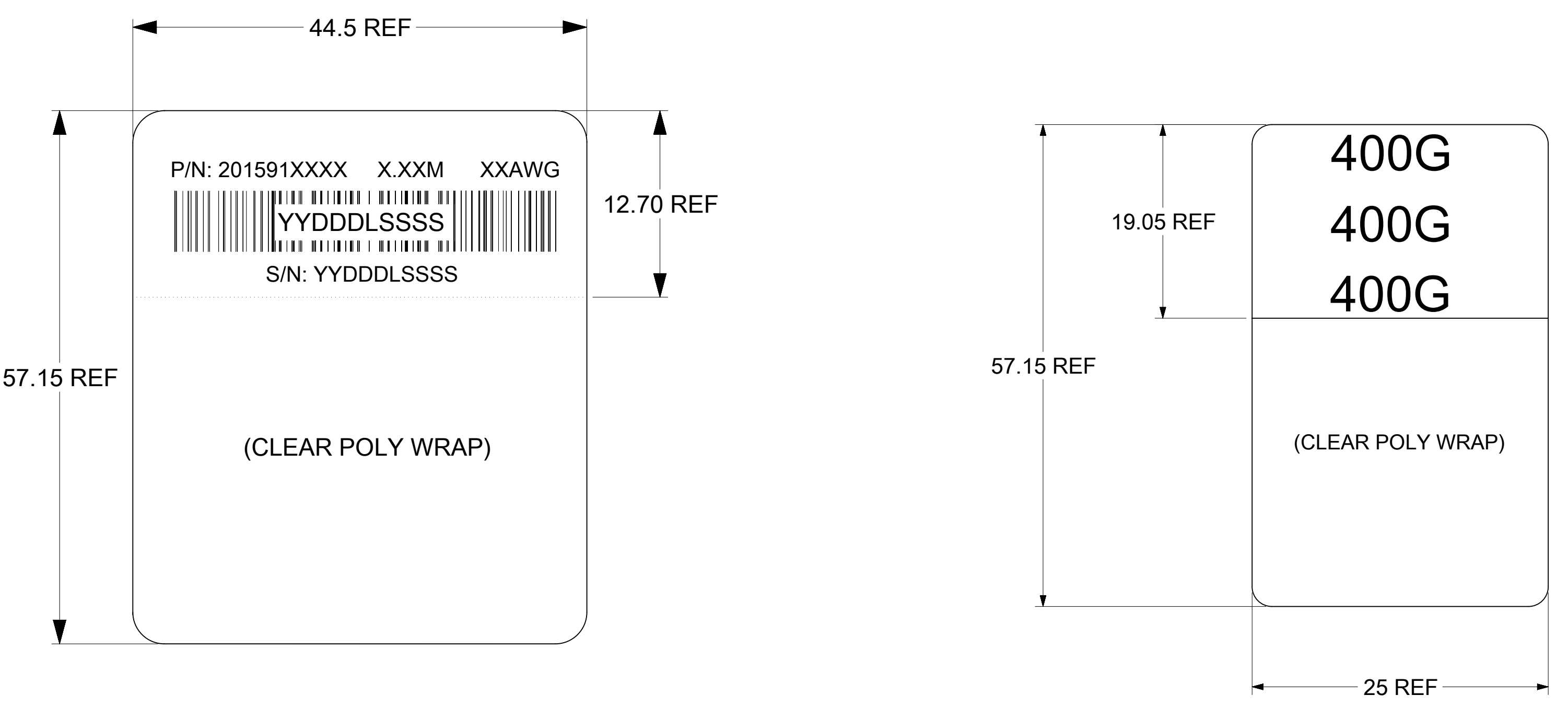
FUNCTIONAL SYMBOLS $F_A = 0$ $F_C = 0$ $F_D = 0$	THIS DRAWING CONTAINS INFORMATION THAT IS PROPRIETARY TO MOLEX ELECTRONIC TECHNOLOGIES, LLC AND SHOULD NOT BE USED WITHOUT WRITTEN PERMISSION		CURRENT REV DESC:		 QSFP-DD TO QSFP-DD 56G PASSIVE CABLE ASY
	DIMENSION UNITS	SCALE	EC NO: 638892		
	mm	20:1	DRWN: JJACKSON02 2020/06/01		
	GENERAL TOLERANCES (UNLESS SPECIFIED)		CHK'D: RWHIPPLE 2020/06/02		
ANGULAR TOL $\pm 5.0^\circ$		APPR: MGARRISON 2020/06/03		PRODUCT CUSTOMER DRAWING	
4 PLACES \pm		INITIAL REVISION:		DOCUMENT NUMBER	DOC TYPE
3 PLACES \pm		DRWN: JJACKSON02 2020/05/26		2015913104	PSD
2 PLACES ± 0.13		APPR: MGARRISON 2020/05/26		000	REVISION
1 PLACE ± 0.25		DRAWING		C	
0 PLACES \pm		SERIES		SHEET NUMBER	
DRAFT WHERE APPLICABLE MUST REMAIN WITHIN DIMENSIONS		THIRD ANGLE PROJECTION	D-SIZE	201591	2 OF 4
		MATERIAL NUMBER		CUSTOMER	
		SEE P/N TABLE		GENERAL MARKET	

WIRING DIAGRAM



FUNCTIONAL SYMBOLS	THIS DRAWING CONTAINS INFORMATION THAT IS PROPRIETARY TO MOLEX ELECTRONIC TECHNOLOGIES, LLC AND SHOULD NOT BE USED WITHOUT WRITTEN PERMISSION			
$\nabla_A = 0$	DIMENSION UNITS	SCALE	CURRENT REV DESC:	
$\nabla_C = 0$	mm	1:1		
$\nabla_P = 0$	GENERAL TOLERANCES (UNLESS SPECIFIED)			
	ANGULAR TOL	$\pm 5.0^\circ$		
DIVISIONAL SYMBOLS	4 PLACES	\pm	EC NO: 638892 DRWN: JJACKSON02 2020/06/01 CHK'D: RWHIPPLE 2020/06/02 APPR: MGARRISON 2020/06/03	
	3 PLACES	\pm		
	2 PLACES	± 0.13		
	1 PLACE	± 0.25		
	0 PLACES	\pm	INITIAL REVISION: DRWN: JJACKSON02 2020/05/26 APPR: MGARRISON 2020/05/26	
DRAFT WHERE APPLICABLE MUST REMAIN WITHIN DIMENSIONS		THIRD ANGLE PROJECTION		DRAWING
				SERIES
		D-SIZE		MATERIAL NUMBER
		201591	CUSTOMER	
		SEE P/N TABLE	GENERAL MARKET	
		3 OF 4	SHEET NUMBER	

LABEL DETAILS



P/N: 201591XXXX - MOLEX PART NUMBER (SEE P/N TABLE)

X.XXM - CABLE LENGTH IN METERS (EXAMPLES - 0.5M, 1.0M, 1.5M)
SEE P/N TABLE FOR THE NUMBER OF DIGITS

XXAWG - CABLE SIZE IN AWG

S/N: YYDDLSSSS - SERIAL NUMBER
 YY = YEAR, THE LAST 2 DIGITS OF YEAR
 DDD = DAY OF THE YEAR
 L = LOCATION
 1 - USA
 2 - MEXICO
 3 - CHINA
 4 - PHILIPPINES
 SSSS = SERIAL NUMBER (0001-9999)

MOLEX P/N	LENGTH (M)	AWG
2015913104	1.0M +/- 0.05M	28
2015913124	1.25M +/- 0.05M	28
2015913154	1.5M +/- 0.08M	28
2015913174	1.75M +/- 0.08M	28
2015913204	2.0M +/- 0.08M	28
2015913254	2.5M +/- 0.08M	26
2015913274	2.75M +/- 0.08M	26
2015913304	3.0M +/- 0.08M	26

*CABLES MAY NOT MEET ALL IEEE 802.3cd 56G PAM4 PARAMETERS

FUNCTIONAL SYMBOLS $\nabla_A = 0$ $\nabla_C = 0$ $\nabla_P = 0$ DIVISIONAL SYMBOLS	THIS DRAWING CONTAINS INFORMATION THAT IS PROPRIETARY TO MOLEX ELECTRONIC TECHNOLOGIES, LLC AND SHOULD NOT BE USED WITHOUT WRITTEN PERMISSION		CURRENT REV DESC:		
	DIMENSION UNITS	SCALE	EC NO: 638892		
	mm	1:1	DRWN: JJACKSON02 2020/06/01		
	GENERAL TOLERANCES (UNLESS SPECIFIED)		CHK'D: RWHIPPLE 2020/06/02		
ANGULAR TOL ± 5.0°		APPR: MGARRISON 2020/06/03		PRODUCT CUSTOMER DRAWING	
4 PLACES ±		INITIAL REVISION:		DOCUMENT NUMBER	DOC TYPE
3 PLACES ±		DRWN: JJACKSON02 2020/05/26		2015913104	PSD
2 PLACES ± 0.13		APPR: MGARRISON 2020/05/26		000	000
1 PLACE ± 0.25		THIRD ANGLE PROJECTION		REVISION	C
0 PLACES ±		DRAFT WHERE APPLICABLE MUST REMAIN WITHIN DIMENSIONS		SHEET NUMBER	
		D-DRAWING		4 OF 4	
		S-SERIES			
		MATERIAL NUMBER			
		CUSTOMER			