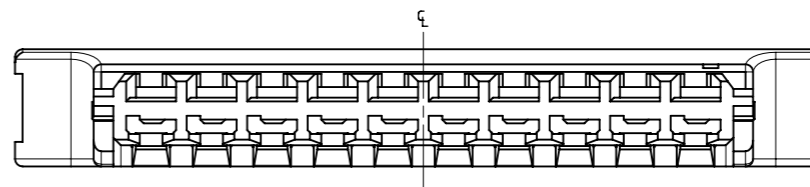
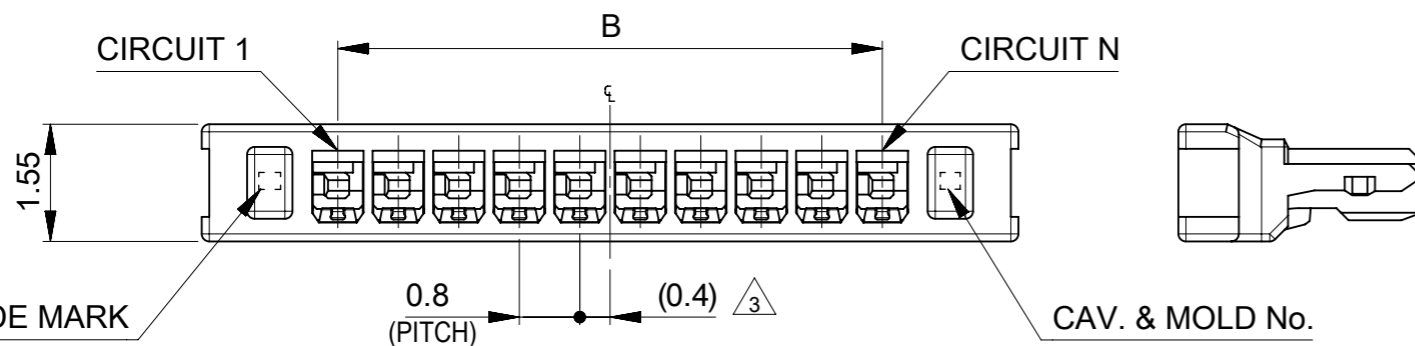
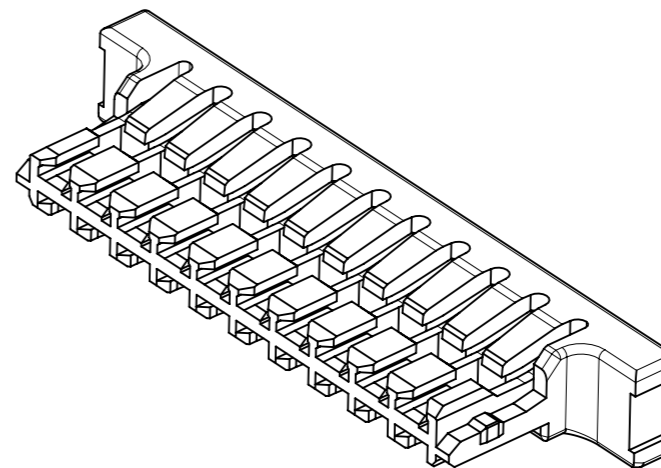


CIRCUIT 1 INDICATOR MARK



15.2	18.8	20
14.4	18.0	19
13.6	17.2	18
12.8	16.4	17
12.0	15.6	16
11.2	14.8	15
10.4	14.0	14
9.6	13.2	13
8.8	12.4	12
8.0	11.6	11
7.2	10.8	10
6.4	10.0	9
5.6	9.2	8
4.8	8.4	7
4.0	7.6	6
3.2	6.8	5
2.4	6.0	4
1.6	5.2	3
0.8	4.4	2
B	A	極数 CIRCUIT SIZE

NOTES

- △1 材料：TABLE 1参照
MATERIAL：SEE TABLE 1
- △2 製品仕様書、コネクタ取扱説明書、適合嵌合相手、適合ターミナルはSHEET2を御参照下さい
PLEASE REFER TO SHEET 2 FOR PRODUCT SPECIFICATION, APPLICATION SPECIFICATION, APPLY MATE PARTNER, APPLY TERMINAL
- △3 極数/2 = 偶数に適応
APPLY FOR CIRCUIT SIZE / 2 = EVEN
- 4. 本製品のプラスチック部に黒点、白点等が確認される場合や色合いが異なる場合がありますが、製品機能に影響はありません。
THERE IS NO INFLUENCE IN THE PRODUCT PERFORMANCE THOUGH THE BLACK AND WHITE SPOT ETC. MIGHT BE CONFIRMED TO THE PLASTIC PART OF THIS PRODUCT AND THE SHADE MIGHT BE DIFFERENT.
- △5 発注番号：SHEET2参照
ORDER No.：PLEASE REFER TO SHEET 2 FOR PRODUCT LIST.

214719 2 * * 0

シリーズ番号
SERIES NO.

極数
CIRCUIT SIZE

△1 TABLE 1

部品 PART	材質 MATERIAL
ハウジング HOUSING	液晶ポリマー(LCP), UL94 V-0, LOW HALOGEN, 黒 LIQUID CRYSTAL POLYMER(LCP) UL94 V-0, LOW HALOGEN, COLOR : BLACK

DOCUMENT STATUS	P1	RELEASE DATE	2022/01/28	07:34:46
-----------------	----	--------------	------------	----------

THIS DRAWING CONTAINS INFORMATION THAT IS PROPRIETARY TO MOLEX ELECTRONIC TECHNOLOGIES, LLC AND SHOULD NOT BE USED WITHOUT WRITTEN PERMISSION

DIMENSION UNITS	SCALE	CURRENT REV DESC:		molex		
mm	NTS					
GENERAL TOLERANCES (UNLESS SPECIFIED)		EC NO: 693607		ZERO-HACHI 0.8WTB CRIMP HSG SINGLE ROW		
ANGULAR TOL	± 3.0 °	DRWN: HKOBAYASHI 2021/07/07		PRODUCT CUSTOMER DRAWING		
4 PLACES	± 0.2	CHK'D: AIDA 2022/01/28		DOCUMENT NUMBER		
3 PLACES	± 0.2	APPR: SAKIYAMA 2022/01/28		2147190000-SD		
2 PLACES	± 0.2	INITIAL REVISION:		DOC TYPE	DOC PART	REVISION
1 PLACE	± 0.2	DRWN: HKOBAYASHI 2021/07/07		PSD	000	A
0 PLACES	± 0.2	APPR: SAKIYAMA 2022/01/28		SHEET NUMBER		
DRAFT WHERE APPLICABLE MUST REMAIN WITHIN DIMENSIONS		THIRD ANGLE PROJECTION	DRAWING	SERIES	MATERIAL NUMBER	CUSTOMER
			A3-SIZE	214719		GENERAL

△ 2 適合製品及び各種仕様書

APPLICABLE PRODUCTS AND VARIOUS SPECIFICATIONS

梱包仕様書 PACKAGING SPECIFICATION	PART NUMBER 2147192**0	SPECIFICATION NUMBER 2147199200-SPK 200
----------------------------------	---------------------------	--

適合端子 APPLICABLE TERMINAL	PART NUMBER 2147205000	PLATING TYPE TIN	WIRE SIZE(AWG) #28 - #30
	2147205001		#30 - #32

適合嵌合相手 MATE WITH	SMT
	TIN PLATING
	RIGHT ANGLE
シリーズ番号 SERIES No.	214721
製品仕様書 PRODUCT SPECIFICATION	2147190000-PS 000
コネクタ取扱説明書 APPLICATION SPECIFICATION	2166940000-AS 000

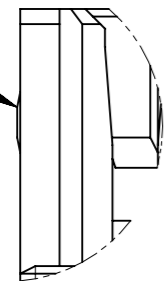
製品嵌合図は嵌合相手図面参照のこと
MATING VIEW: REFER "MATE WITH" PART DRAWING.

△ 5 製品一覧
PRODUCT LIST

HOUSING COLOR		
BLACK		
214719	2200	20
214719	2190	19
214719	2180	18
214719	2170	17
214719	2160	16
214719	2150	15
214719	2140	14
214719	2130	13
214719	2120	12
214719	2110	11
214719	2100	10
214719	2090	9
214719	2080	8
214719	2070	7
214719	2060	6
214719	2050	5
214719	2040	4
214719	2030	3
214719	2020	2
オーダー番号 ORDER No.		極数 CIRCUIT No.
梱包形態 : ポリ袋 PACKAGING : POLY BAG		

極数別ロック形状
LOCK SHAPE

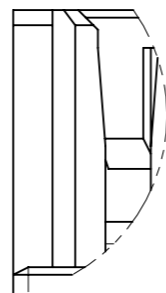
SIDE LOCK FOR
2-10 CIRCUIT



DETAIL Z
SCALE 20:1



2-10極形状
FIGURE OF 2-10 CIRCUIT



DETAIL Y
SCALE 20:1



11-20極形状
FIGURE OF 11-20 CIRCUIT

THIS DRAWING CONTAINS INFORMATION THAT IS PROPRIETARY TO MOLEX ELECTRONIC TECHNOLOGIES, LLC AND SHOULD NOT BE USED WITHOUT WRITTEN PERMISSION

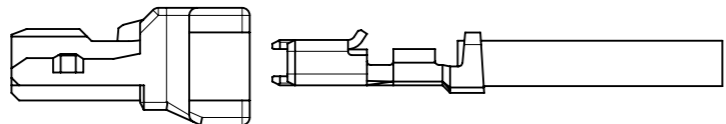
DIMENSION UNITS mm	SCALE NTS	CURRENT REV DESC.	molex				
GENERAL TOLERANCES (UNLESS SPECIFIED)	ANGULAR TOL ± 3.0 °	EC NO: 693607				ZERO-HACHI 0.8WTB CRIMP HSG SINGLE ROW	
4 PLACES ± 0.2	3 PLACES ± 0.2	DRWN: HKOBAYASHI CHK'D: AIDA APPR: SAKIYAMA	2021/07/07 2022/01/28 2022/01/28	PRODUCT CUSTOMER DRAWING			
2 PLACES ± 0.2	1 PLACE ± 0.2	INITIAL REVISION: DRWN: HKOBAYASHI APPR: SAKIYAMA	2021/07/07 2022/01/28	DOCUMENT NUMBER 2147190000-SD	DOC TYPE PSD	DOC PART 000	REVISION A
0 PLACES ± 0.2	DRAFT WHERE APPLICABLE MUST REMAIN WITHIN DIMENSIONS	THIRD ANGLE PROJECTION	DRAWING A3-SIZE	SERIES 214719	MATERIAL NUMBER	CUSTOMER GENERAL	SHEET NUMBER 2 OF 3

圧着端子挿入時の注意点 CAUTION WHEN INSERTING A CRIMP TERMINAL

製品機能を維持するため、圧着端子を下図斜め上方向に挿入しないで下さい。
TO MAINTAIN THE PRODUCT FUNCTION, DO NOT INSERT THE CRIMP TERMINAL DIAGONALLY UPWARD

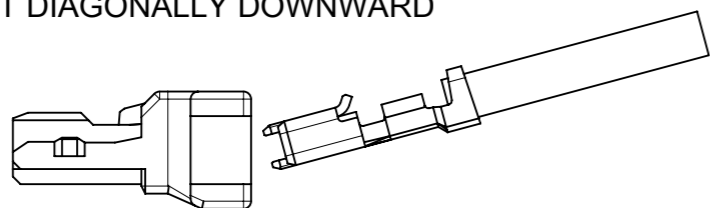
○ Good

水平方向
INSERT STRAIGHT



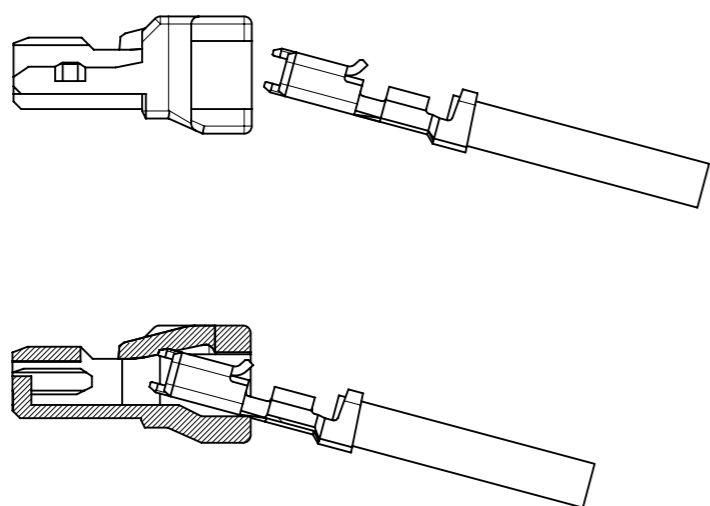
○ Good

斜め下方向
INSERT DIAGONALLY DOWNWARD

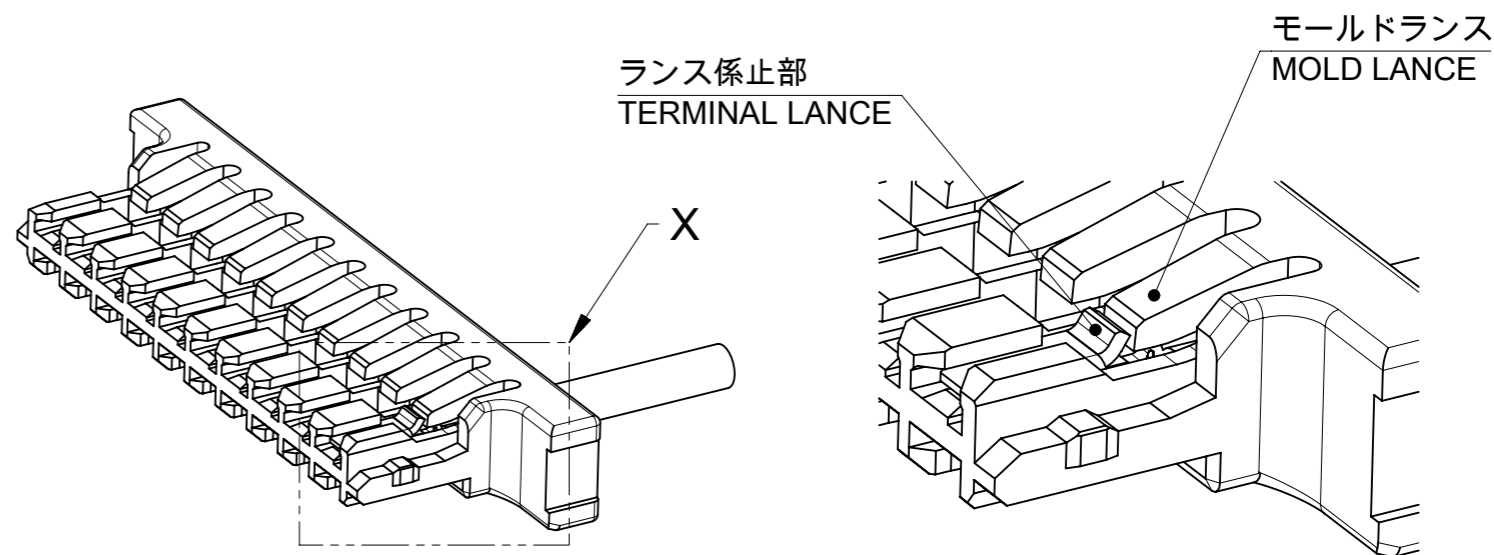
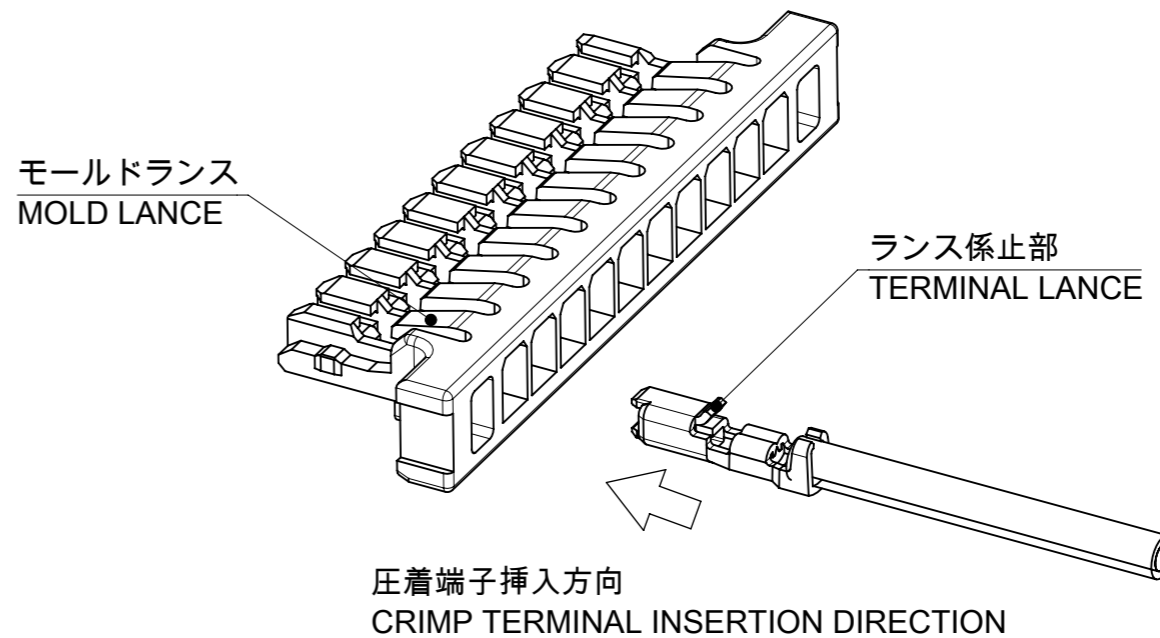


× Not good

斜め上方向
INSERT DIAGONALLY UPWARD



斜め上方向に圧着端子を挿入すると
モールドランスが破損する可能性があります。
IF THE CRIMP TERMINAL IS INSERTED DIAGONALLY UPWARD, THERE MIGHT BE POSSIBILITY OF THE MOLD LANCE DAMAGED.



圧着端子ランス係止部がハウジングのモールドランスに掛かっている事をご確認ください。
MAKE SURE THAT THE TERMINAL LANCE IS CAUGHT BY THE MOLD LANCE OF HOUSING

DETAIL X
SCALE 20:1

THIS DRAWING CONTAINS INFORMATION THAT IS PROPRIETARY TO MOLEX ELECTRONIC TECHNOLOGIES, LLC AND SHOULD NOT BE USED WITHOUT WRITTEN PERMISSION									
DIMENSION UNITS		SCALE		CURRENT REV DESC:				molex	
mm		NTS							
GENERAL TOLERANCES (UNLESS SPECIFIED)									
ANGULAR TOL ± 3.0°									
4 PLACES		± 0.2		EC NO: 693607		2021/07/07		ZERO-HACHI 0.8WTB CRIMP HSG SINGLE ROW	
3 PLACES		± 0.2		DRWN: HKOBAYASHI		2022/01/28			
2 PLACES		± 0.2		CHK'D: AIDA		2022/01/28		PRODUCT CUSTOMER DRAWING	
1 PLACE		± 0.2		APPR: SAKIYAMA		2022/01/28			
0 PLACES		± 0.2		INITIAL REVISION:				DOCUMENT NUMBER	
				DRWN: HKOBAYASHI		2021/07/07		2147190000-SD	
				APPR: SAKIYAMA		2022/01/28		DOC TYPE	
								PSD	
								DOC PART	
								000	
								REVISION	
								A	
DRAFT WHERE APPLICABLE MUST REMAIN WITHIN DIMENSIONS		THIRD ANGLE PROJECTION		DRAWING		SERIES		MATERIAL NUMBER	
		⊕		A3-SIZE		214719		CUSTOMER	
								GENERAL	
								SHEET NUMBER	
								3 OF 3	