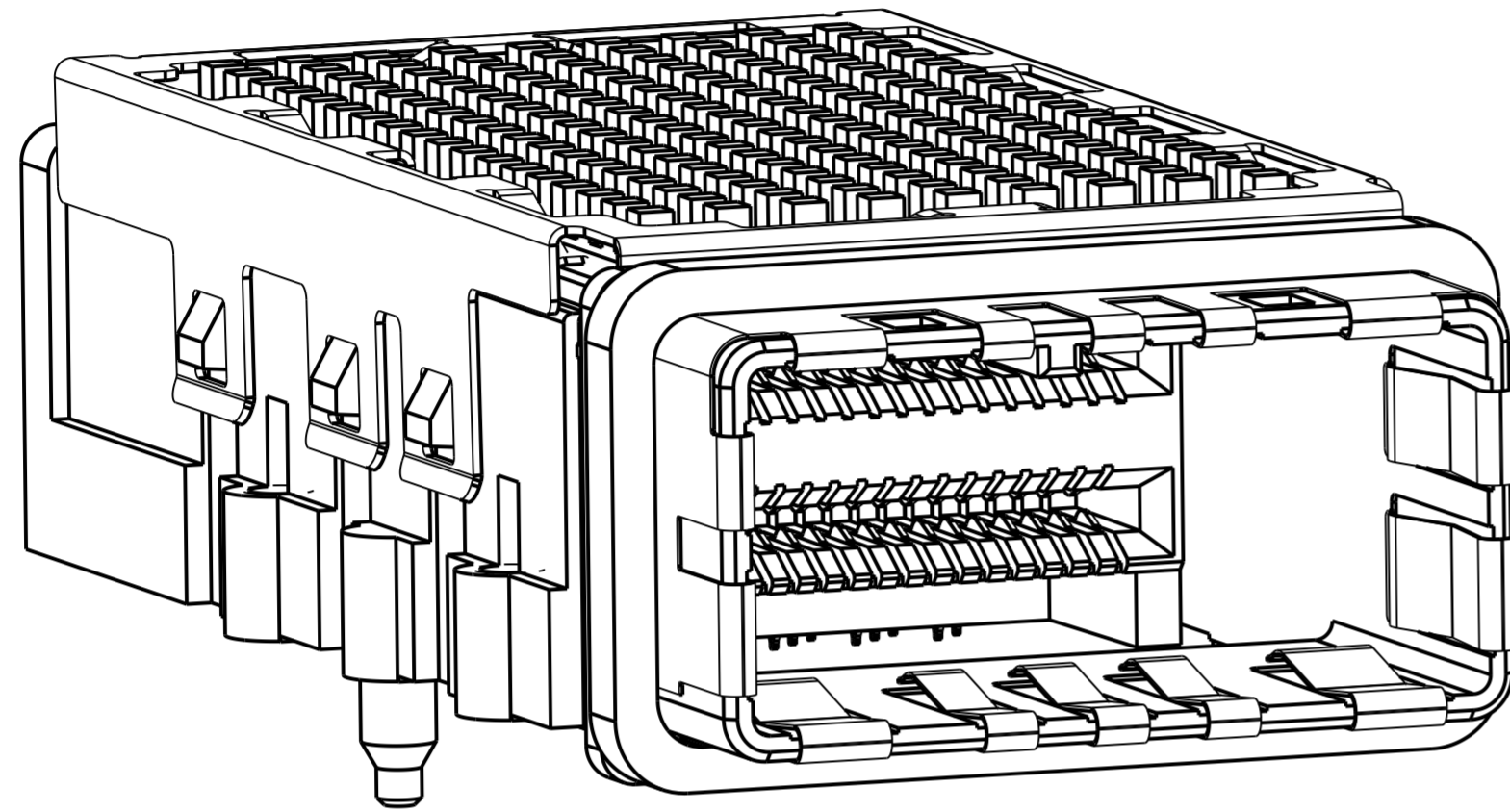
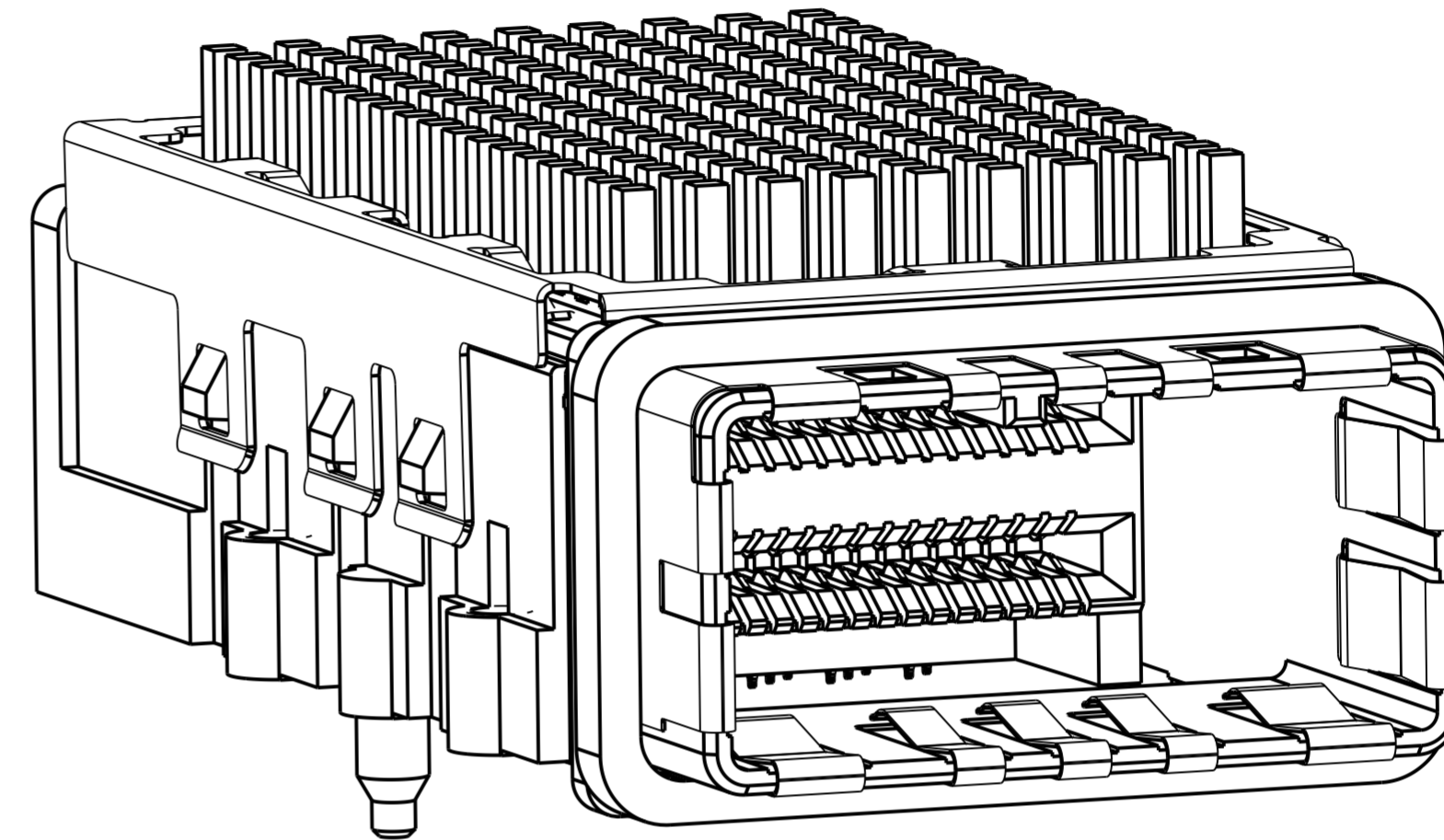


THIS DRAWING IS UNPUBLISHED. RELEASED FOR PUBLICATION 20  
 © COPYRIGHT 20 BY - ALL RIGHTS RESERVED.

REVISIONS				
P	LTR	DESCRIPTION	DATE	APVD
A		RELEASED ECO-14-003843	31MAR2014	LAW SB




2149157-1  
SCALE 5:1



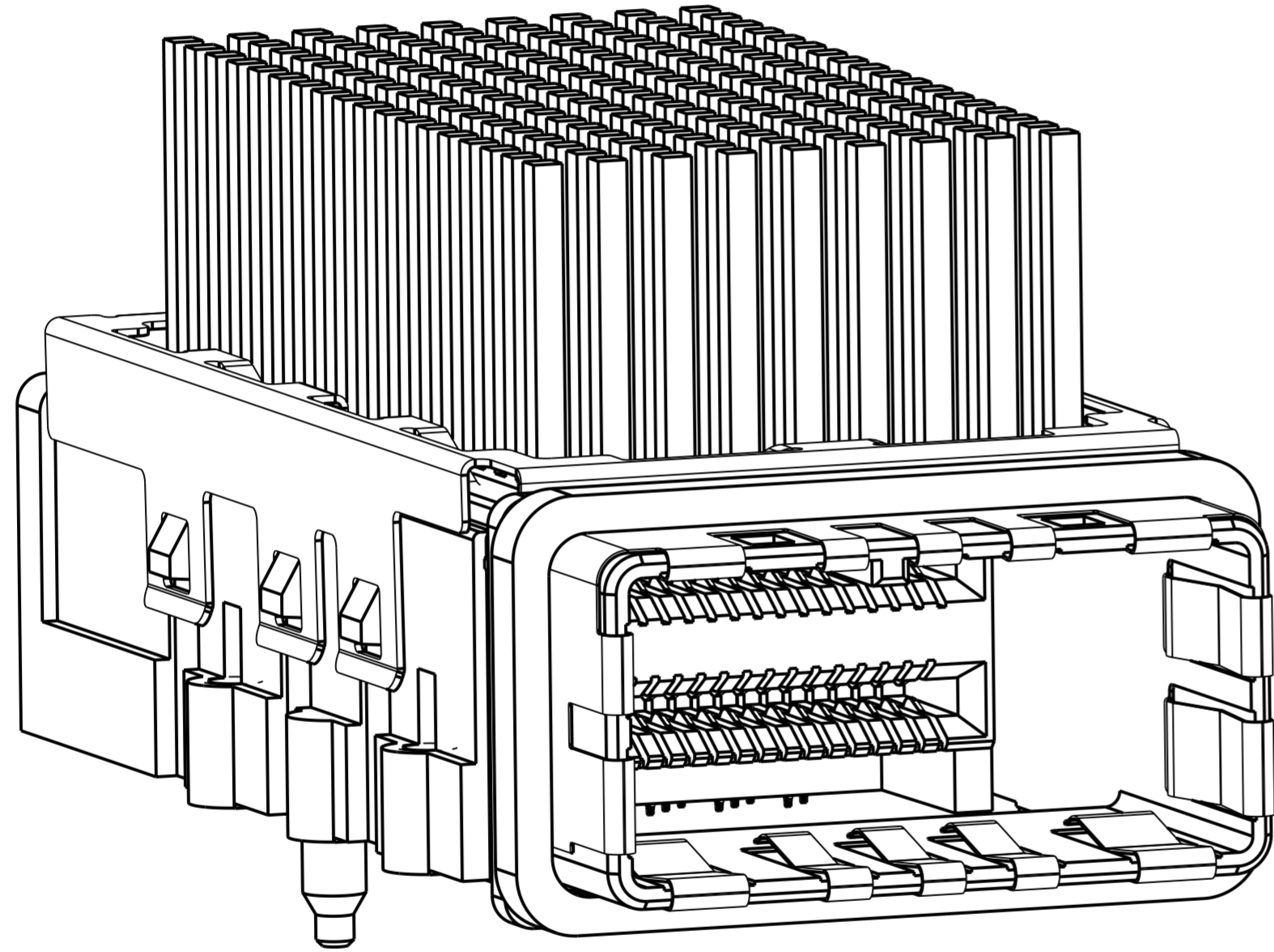
2149157-3  
SCALE 5:1

OBSOLETE	23.5	2149448-2	3	84 POSITION RECEPTACLE ASSEMBLY WITH HEAT SINK	2149157-6
	23.5	2149448-1	2	84 POSITION RECEPTACLE ASSEMBLY WITH HEAT SINK	2149157-5
OBSOLETE	16.5	2149448-2	3	84 POSITION RECEPTACLE ASSEMBLY WITH HEAT SINK	2149157-4
	16.5	2149448-1	2	84 POSITION RECEPTACLE ASSEMBLY WITH HEAT SINK	2149157-3
OBSOLETE	14.2	2149448-2	3	84 POSITION RECEPTACLE ASSEMBLY WITH HEAT SINK	2149157-2
	14.2	2149448-1	2	84 POSITION RECEPTACLE ASSEMBLY WITH HEAT SINK	2149157-1
E		RECEPTACLE HOUSING SUB-ASSEMBLY	FINISH	DESCRIPTION	PART NUMBER

THIS DRAWING IS A CONTROLLED DOCUMENT. DIMENSIONING AND TOLERANCING PER ASME Y14.5M-2009		DWN M. E. COWHER 09 JUN 2010	 TE Connectivity
DIMENSIONS: mm		CHK M. D. MORRISON 10 JUN 2010	
TOLERANCES UNLESS OTHERWISE SPECIFIED:		APVD M. D. MORRISON 10 JUN 2010	NAME RECEPTACLE ASSEMBLY WITH HEAT SINK, 84 POSITION, CXP
0 PLC ±0.15	1 PLC ±0.15	PRODUCT SPEC 108-2426	SIZE -
2 PLC ±0.15	3 PLC ±	APPLICATION SPEC 114-13283	CAGE CODE A200779
4 PLC ±	ANGLES ±	WEIGHT -	DRAWING NO C-2149157
MATERIAL	FINISH	Customer Drawing	RESTRICTED TO -
SCALE 1:1			SHEET 1 OF 5
REV A			

THIS DRAWING IS UNPUBLISHED. RELEASED FOR PUBLICATION 20  
 © COPYRIGHT 20 BY - ALL RIGHTS RESERVED.

REVISIONS				
P	LTR	DESCRIPTION	DATE	APVD
-		SEE SHEET 1	-	-



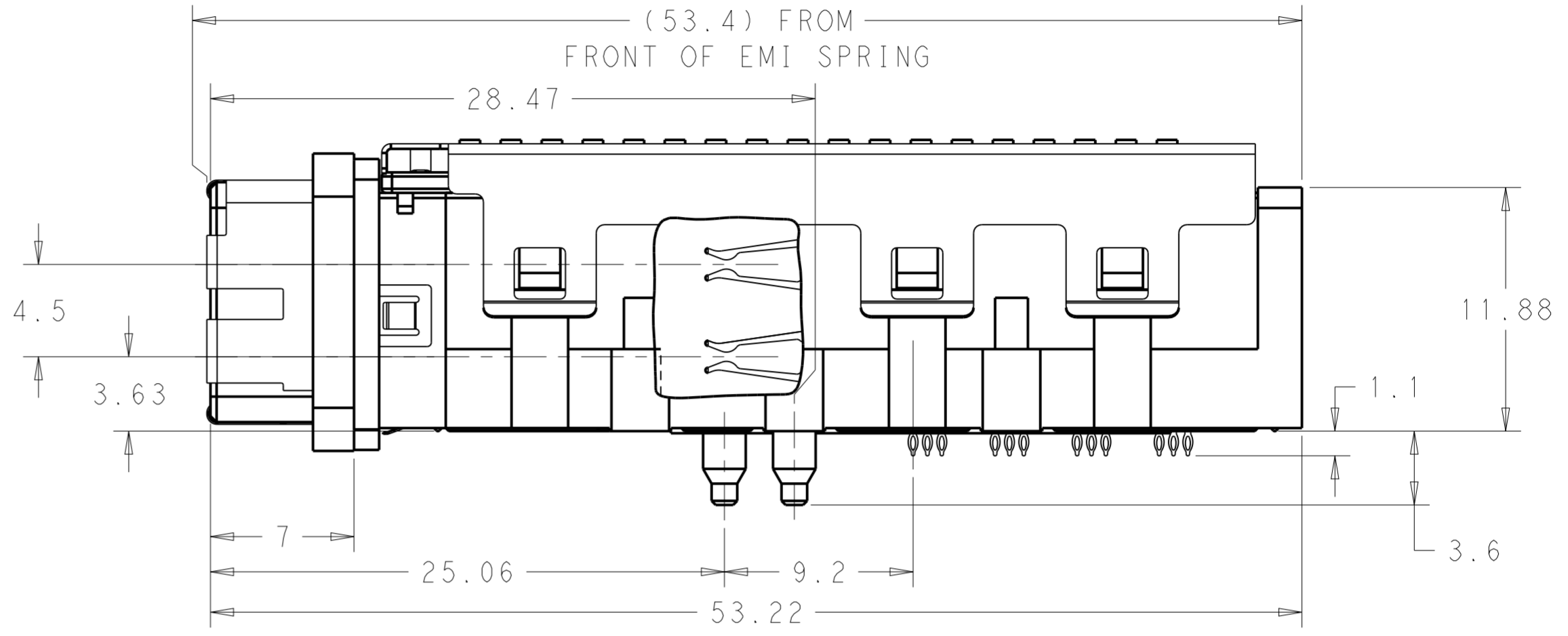
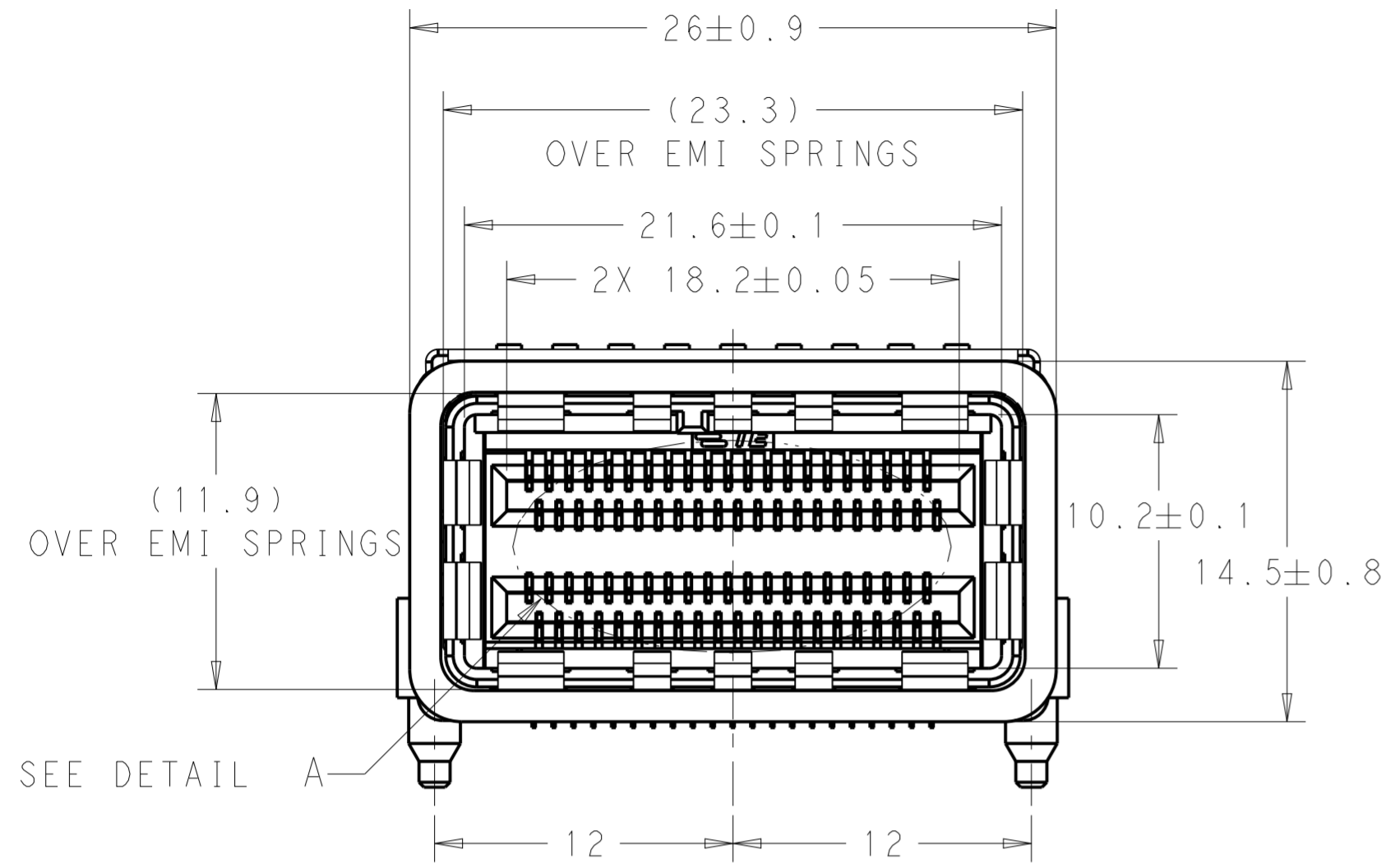
2149157-5  
SCALE 5:1

- 1. MATERIALS:  
 HOUSING - ZINC ALLOY  
 EMI GASKET - CONDUCTIVE URETHANE FOAM  
 RECEPTACLE HOUSING - LCP, BLACK, UL 94V-0 RATED  
 CHICKLET - LCP, BLACK, UL 94V-0 RATED  
 CONTACT - PHOSPHOR BRONZE  
 EMI SPRING - COPPER ALLOY  
 HEAT SINK - ALUMINUM  
 CLIP, HEAT SINK - STAINLESS STEEL
- 2. FINISH:  
 CONTACT-CONFORMS TO THE REQUIREMENTS OF TE  
 PRODUCT SPECIFICATION 108-2426, BASED ON EIA/ECA-364-1000.01A,  
 (CONTROLLED ENVIRONMENT APPLICATIONS) ON MATING INTERFACE,  
 MATTE TIN PLATE OVER NICKEL UNDERPLATE ON COMPLAINT PIN  
 HOUSING & HEATSINK - NICKEL PLATE
- 3. NOTE DELETED
- 4. PCB THICKNESS = 1.57 MIN
- 5. FOR HOLE SIZE AND FINISHES, SEE APPLICATION SPEC 114-13283
- 6. THE ENTIRE AREA OF THE CONNECTOR FOOTPRINT, INDICATED BY CROSSHATCHING, TO BE CONSIDERED THE KEEPOUT AREA FOR COMPONENTS AND SIGNAL TRACES, TOP SIDE ONLY, TOP SIDE TRACES ALLOWED WITHIN CONNECTOR HOLE PATTERN, CROSSHATCHING TO BE CONDUCTIVE
- 7. MOUNTING HARDWARE REQUIRED:  
 M2x0.4 (4)  
 MOUNTING SCREW LENGTH = BOARD THICKNESS PLUS 4mm MAX
- 8. COMPONENTS PACKAGED UNASSEMBLED

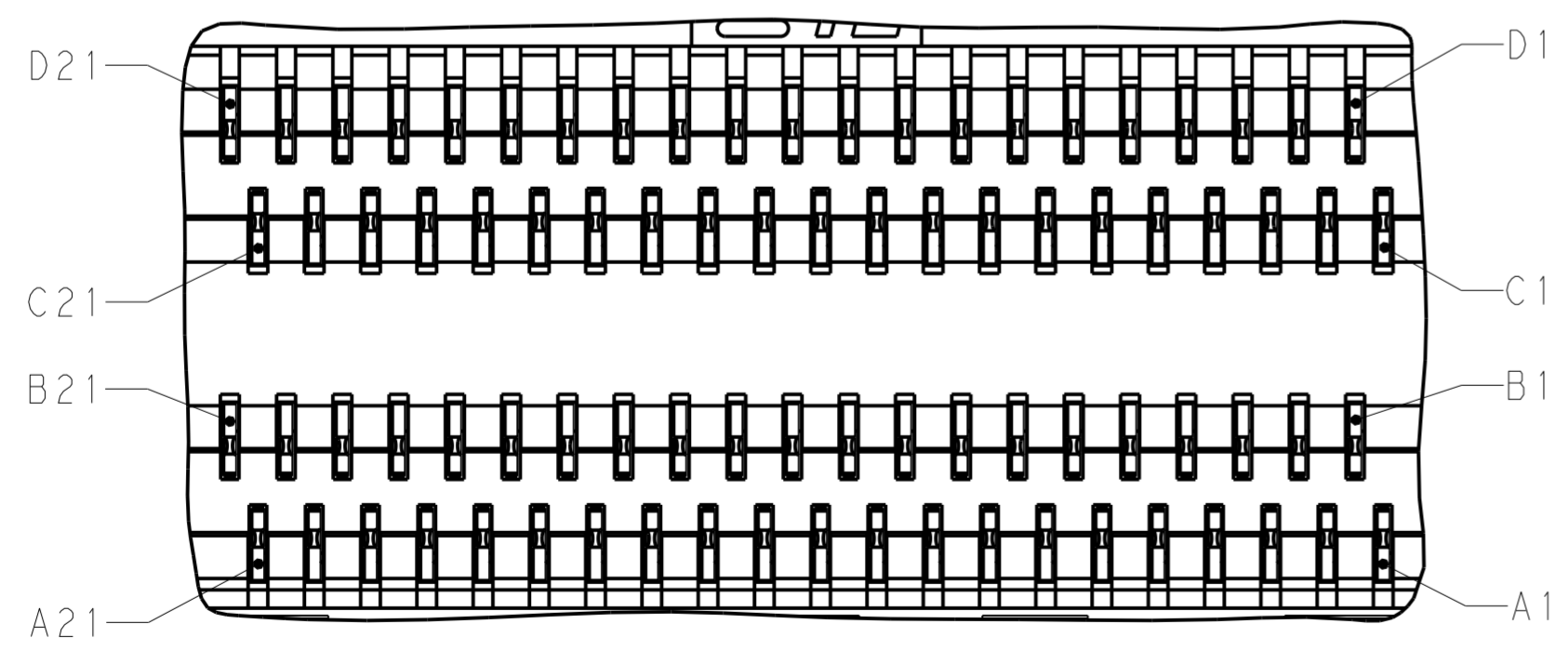
THIS DRAWING IS A CONTROLLED DOCUMENT. DIMENSIONING AND TOLERANCING PER ASME Y14.5M-2009		DWN M. E. COWHER 09 JUN 2010	TE Connectivity	
DIMENSIONS: mm		CHK M. D. MORRISON 10 JUN 2010		
TOLERANCES UNLESS OTHERWISE SPECIFIED:		APVD M. D. MORRISON 10 JUN 2010	NAME RECEPTACLE ASSEMBLY WITH HEAT SINK, 84 POSITION, CXP	
0 PLC ±0.15 1 PLC ±0.15 2 PLC ±0.15 3 PLC ± 4 PLC ± ANGLES ± FINISH ±		PRODUCT SPEC 108-2426	SIZE -	
MATERIAL		APPLICATION SPEC 114-13283	CAGE CODE A200779	DRAWING NO C-2149157
1		WEIGHT -	RESTRICTED TO -	
2		Customer Drawing		SCALE 1:1 SHEET 2 OF 5 REV A

THIS DRAWING IS UNPUBLISHED. RELEASED FOR PUBLICATION 20  
 © COPYRIGHT 20 BY - ALL RIGHTS RESERVED.

REVISIONS				
P	LTR	DESCRIPTION	DATE	APVD
-		SEE SHEET 1	-	-



2149157-1  
 SCALE 4:1



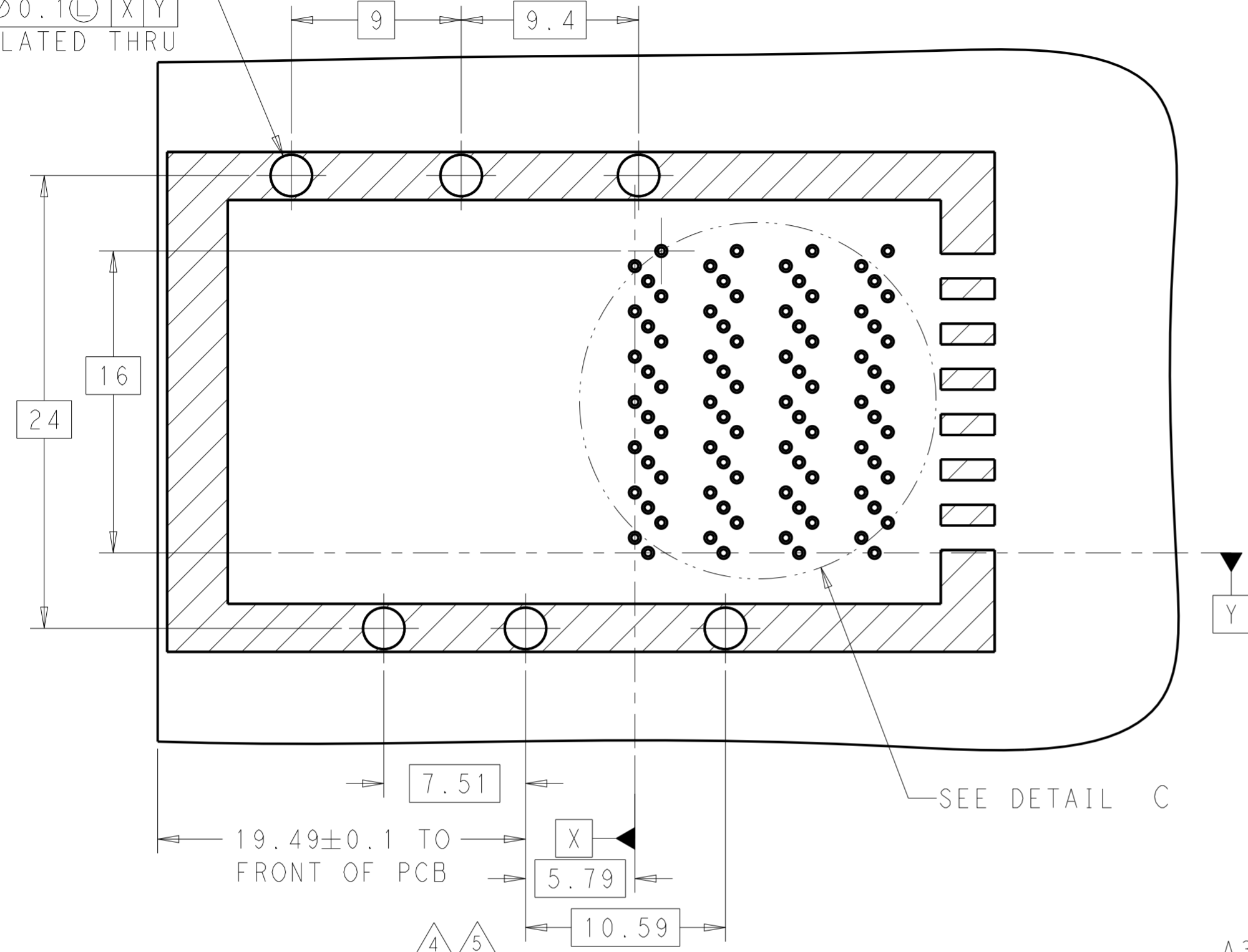
DETAIL A  
 CONNECTOR PIN CALLOUT  
 SCALE 10:1

THIS DRAWING IS A CONTROLLED DOCUMENT. DIMENSIONING AND TOLERANCING PER ASME Y14.5M-2009		DWN M.E. COWHER 09 JUN 2010	TE Connectivity
DIMENSIONS: mm		CHK M.D. MORRISON 10 JUN 2010	
TOLERANCES UNLESS OTHERWISE SPECIFIED:		APVD M.D. MORRISON 10 JUN 2010	NAME RECEPTACLE ASSEMBLY WITH HEAT SINK, 84 POSITION, CXP
0 PLC ±0.15 1 PLC ±0.15 2 PLC ±0.15 3 PLC ± 4 PLC ± ANGLES ± FINISH ±		PRODUCT SPEC 108-2426	SIZE 114-13283
MATERIAL		APPLICATION SPEC 114-13283	RESTRICTED TO -
		WEIGHT -	SCALE 4:1 SHEET 3 OF 5 REV A
		Customer Drawing	SIZE CAGE CODE DRAWING NO A200779 C-2149157

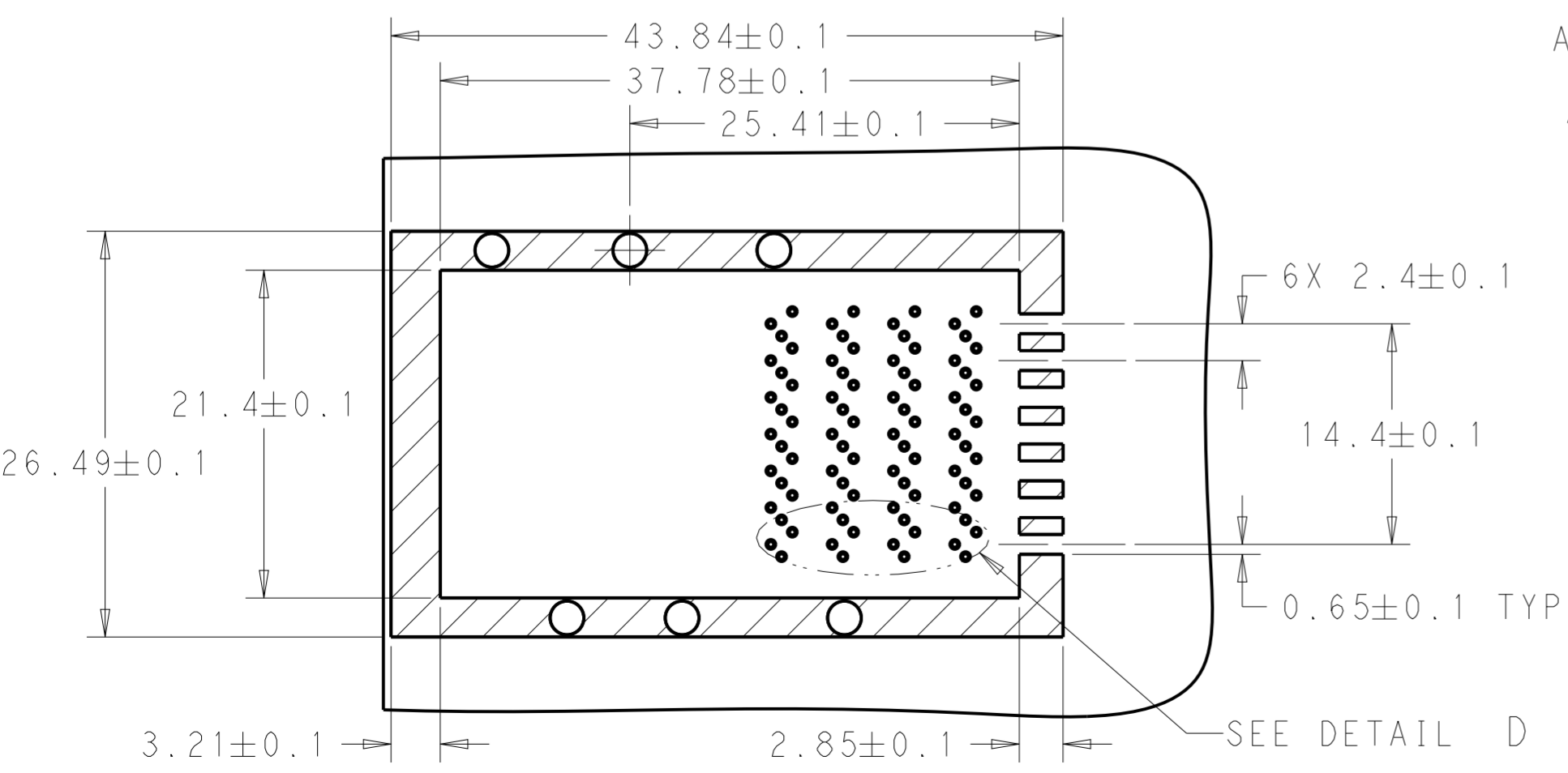
THIS DRAWING IS UNPUBLISHED. RELEASED FOR PUBLICATION 20  
 © COPYRIGHT 20 BY - ALL RIGHTS RESERVED.

REVISIONS				
P	LTR	DESCRIPTION	DATE	APVD
-	-	SEE SHEET 1	-	-

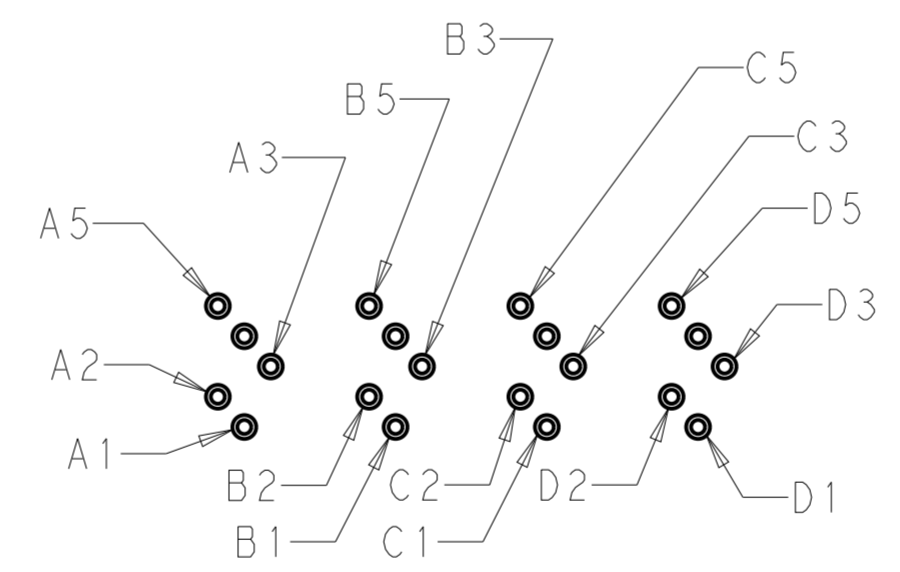
6X  $\varnothing 2.2 \pm 0.05$   
 $\oplus \varnothing 0.1 \text{ (L) X Y}$   
 PLATED THRU



RECOMMENDED PCB LAYOUT  
 COMPONENT SIDE SHOWN  
 SCALE 4:1

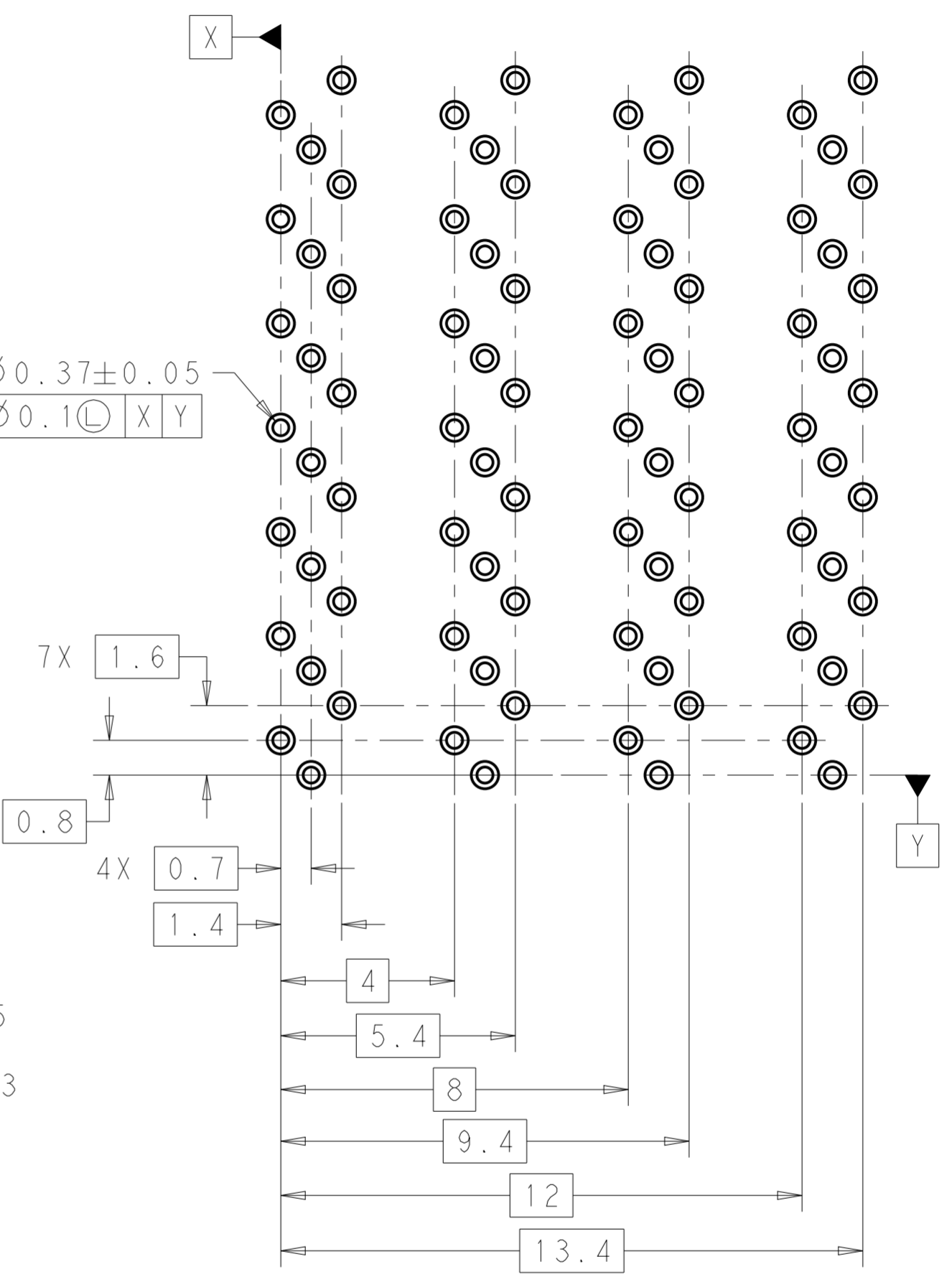


RECOMMENDED KEEPOUT AREA  
 SCALE 5:2



DETAIL D  
 PIN CALLOUT (TYPICAL)  
 SCALE 5:1

84X  $\varnothing 0.37 \pm 0.05$   
 $\oplus \varnothing 0.1 \text{ (L) X Y}$

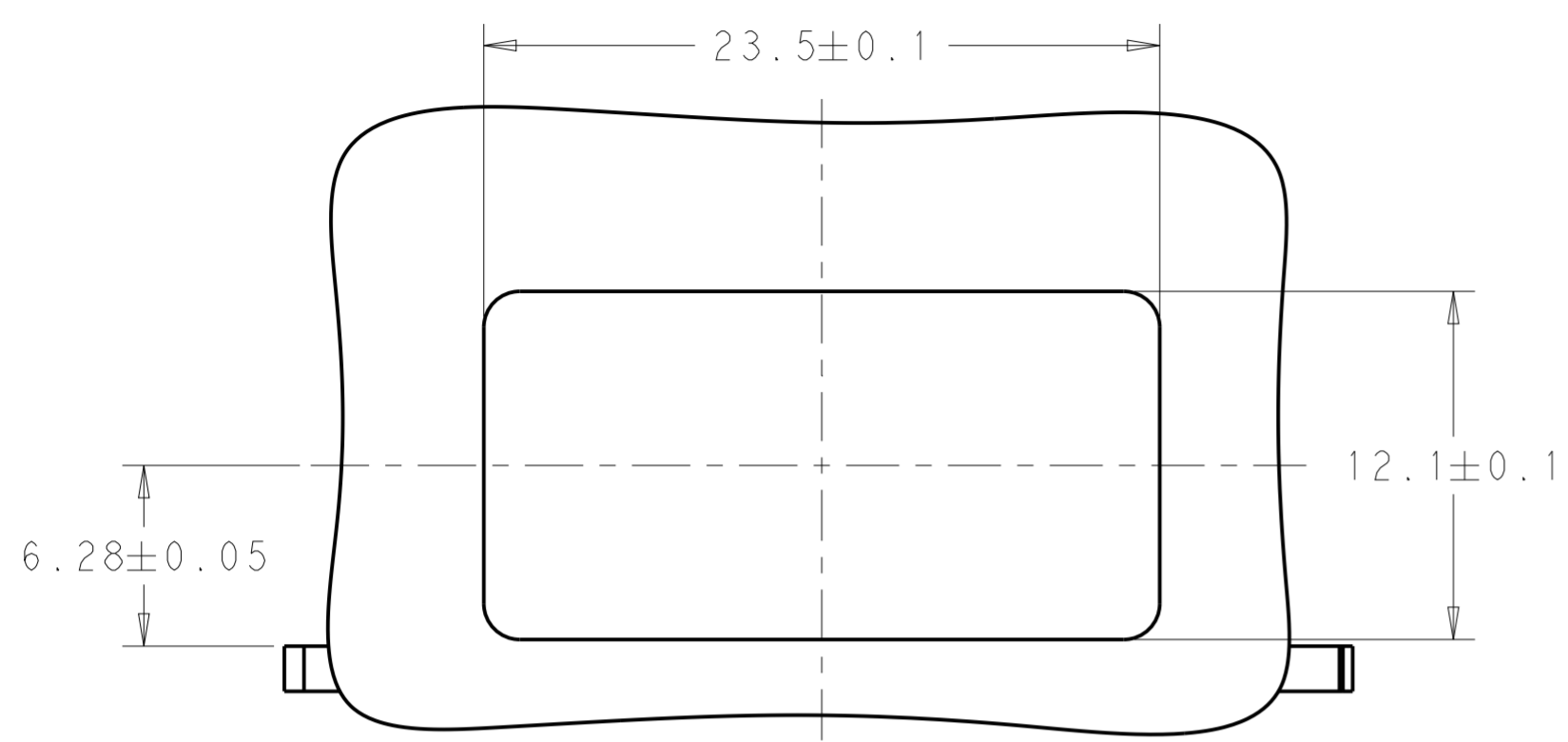


DETAIL C  
 RECOMMENDED CONNECTOR LAYOUT  
 SCALE 8:1

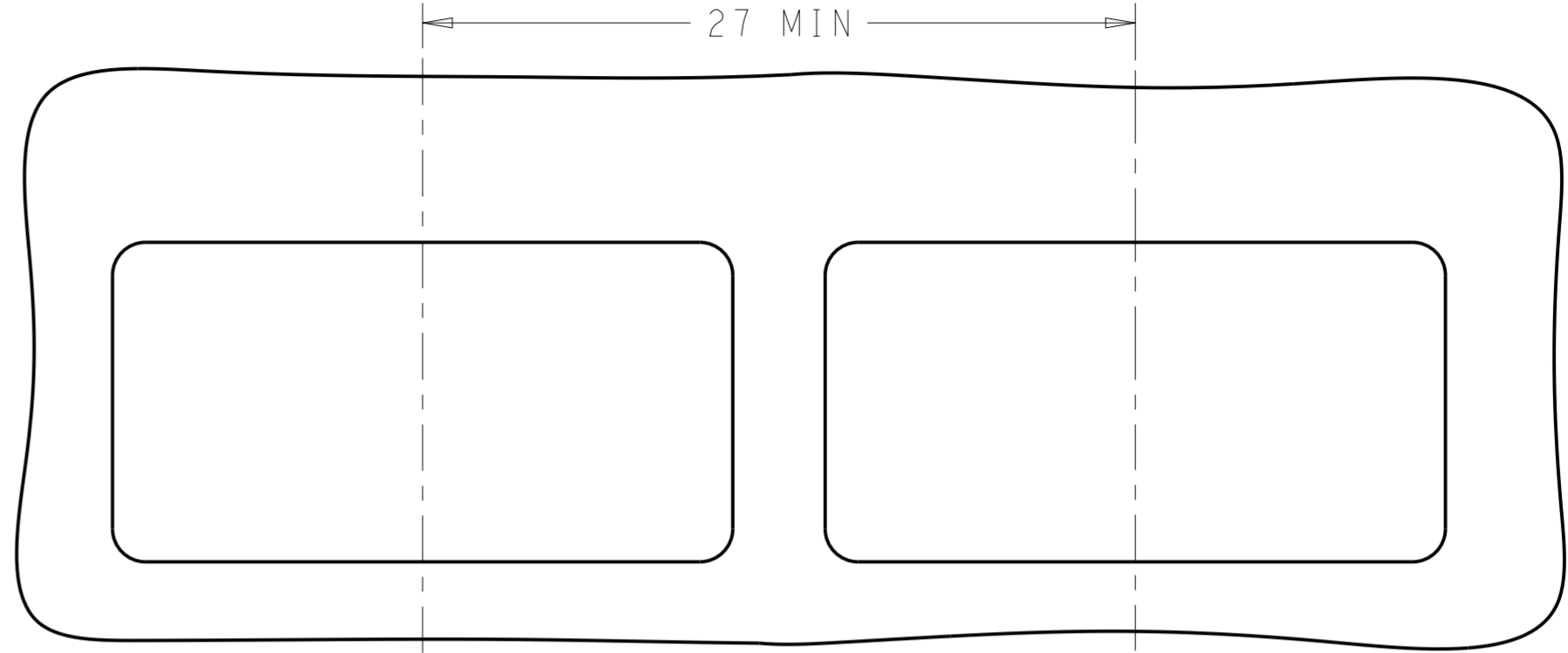
THIS DRAWING IS A CONTROLLED DOCUMENT. DIMENSIONING AND TOLERANCING PER ASME Y14.5M-2009		DWN: 09 JUN 2010 M. E. COWHER	TE Connectivity	
DIMENSIONS: mm		CHK: 10 JUN 2010 M. D. MORRISON		
TOLERANCES UNLESS OTHERWISE SPECIFIED:		APVD: 10 JUN 2010 M. D. MORRISON	PRODUCT SPEC: 108-2426	RESTRICTED TO: -
0 PLC ±0.15		APPLICATION SPEC: 114-13283	SIZE: A2	CAGE CODE: 00779
1 PLC ±0.15		WEIGHT: -	DRAWING NO: C-2149157	SCALE: 3:1
2 PLC ±0.15		Customer Drawing	SHEET: 4 OF 5	REV: A
3 PLC ±				
4 PLC ±				
ANGLES ±				
FINISH ±				

THIS DRAWING IS UNPUBLISHED. RELEASED FOR PUBLICATION 20  
 © COPYRIGHT 20 BY - ALL RIGHTS RESERVED.

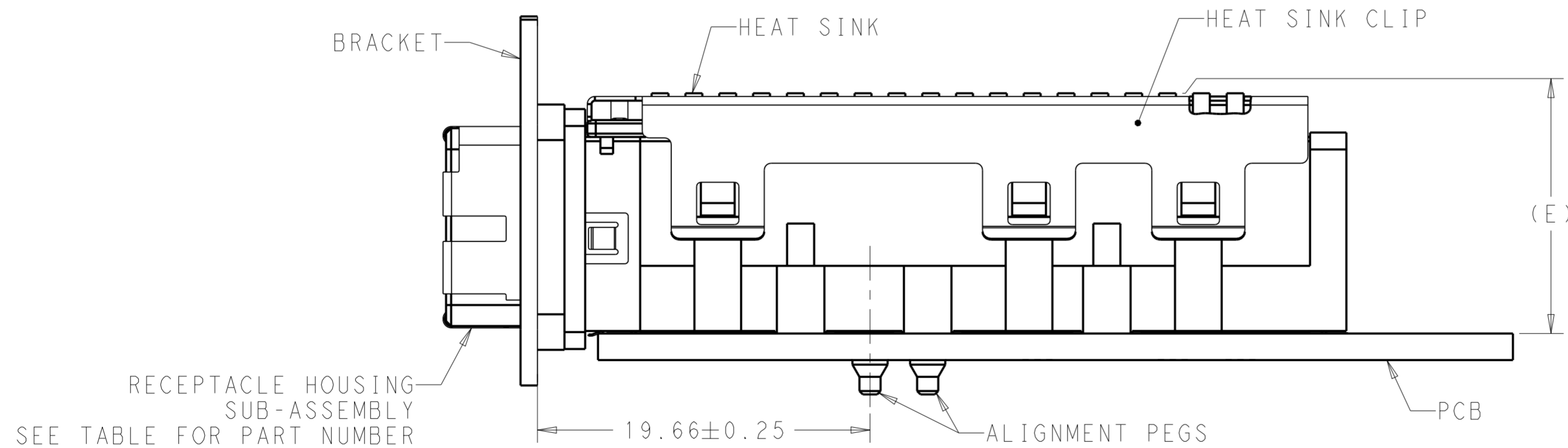
REVISIONS				
P	LTR	DESCRIPTION	DATE	APVD
-		SEE SHEET 1	-	-



RECOMMENDED BRACKET CUT-OUT  
SCALE 4:1



RECOMMENDED BRACKET CUT-OUT SPACING  
SCALE 4:1



RECOMMEND BRACKET LOCATION AND  
HEIGHT OF HEAT SINK MEASURED FROM PCB  
SCALE 4:1

THIS DRAWING IS A CONTROLLED DOCUMENT. DIMENSIONING AND TOLERANCING PER ASME Y14.5M-2009		DWN 09 JUN 2010 M. E. COWHER	<b>STE</b> TE Connectivity	
DIMENSIONS: mm		CHK 10 JUN 2010 M. D. MORRISON		
TOLERANCES UNLESS OTHERWISE SPECIFIED:		APVD 10 JUN 2010 M. D. MORRISON	NAME RECEPTACLE ASSEMBLY WITH HEAT SINK, 84 POSITION, CXP	
0 PLC	±0.15	PRODUCT SPEC	-	
1 PLC	±0.15	APPLICATION SPEC	-	
2 PLC	±0.15	114-13283	SIZE	CAGE CODE
3 PLC	±	WEIGHT	A200779	DRAWING NO
4 PLC	±	Customer Drawing	C-2149157	RESTRICTED TO
ANGLES	±	SCALE 4:1	SHEET 5 OF 5	REV A
FINISH	±			