

THIS DRAWING IS UNPUBLISHED.

RELEASED FOR PUBLICATION

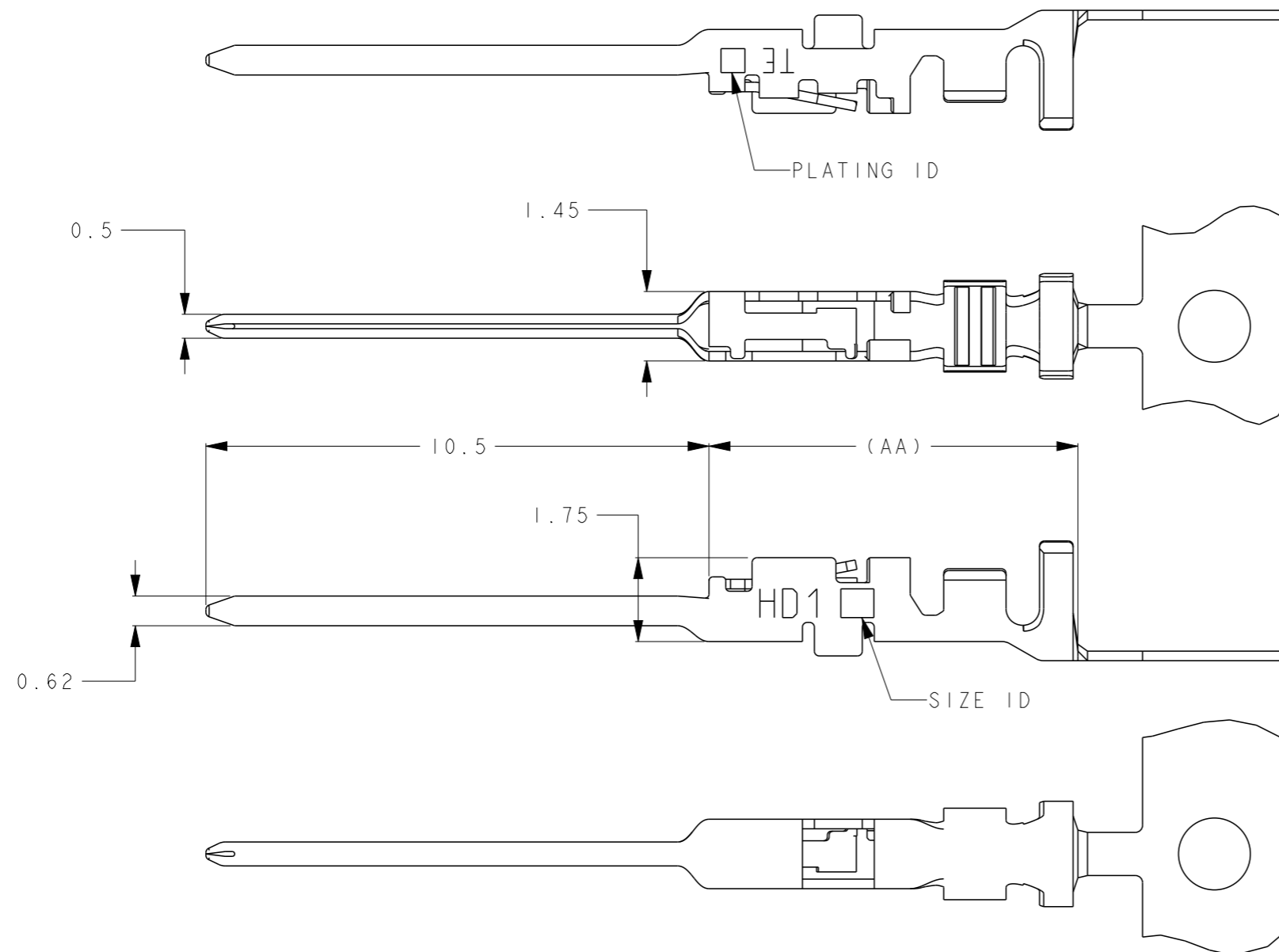
20

© COPYRIGHT 20 BY -

ALL RIGHTS RESERVED.

REVISIONS

P	LTR	DESCRIPTION	DATE	DWN	APVD
	A	RELEASED	05DEC2017	RI	EI
	B	REVISED PER ECR-19-002854	27FEB2019	TS	EI



1. TECHNICAL CHARACTERISTICS:  
 CONTACT MATERIAL: Cu ALLOY  
 SURFACE PLATING:  
 ID2 : GOLD PLATING: 0.38µmMIN  
 IDP : Pd-Ni PLATING 0.38µmMIN  
 GOLD PLATING 0.05µmMIN

8.4	0.1g	2L	P	1.4-2.2	AWG22-18, 0.34-0.87SQmm	2L SIZE, Pd-Ni 0.38µm	1-2316663-4
8.4	0.1g	2L	2	1.4-2.2	AWG22-18, 0.34-0.87SQmm	2L SIZE, GOLD 0.38µm	2316663-4
7.7	0.1g	L	2	1.08-1.9	AWG28-22, 0.08-0.37SQmm	L SIZE, GOLD 0.38µm	2316663-3
7.7	0.1g	M	2	1.08-1.6	AWG28-22, 0.08-0.37SQmm	M SIZE, GOLD 0.38µm	2316663-2
7.7	0.1g	S	2	0.6-1.2	AWG30-28, 0.05-0.1SQmm	S SIZE, GOLD 0.38µm	2316663-1
DIMENSION AA	NET WEIGHT	SIZE ID	PLATING ID	INSUL. RANGE	WIRE RANGE	DESCRIPTION	PART NO

THIS DRAWING IS A CONTROLLED DOCUMENT.

DIMENSIONS:		TOLERANCES UNLESS OTHERWISE SPECIFIED:	
mm		0 PLC	±0.5
		1 PLC	±0.5
		2 PLC	±0.5
		3 PLC	±0.5
		4 PLC	±0.5
MATERIAL		ANGLES	±3°
		FINISH	-
			-

DWN	28MAR2017	T. SHIMOYASU
CHK	28MAR2017	E. TAKEMASA
APVD	28MAR2017	N. YAMASAKI
PRODUCT SPEC	108-140152	
APPLICATION SPEC	114-78021	
WEIGHT	-	
CUSTOMER DRAWING		



NAME				CONTACT, TAB, HD1			
				HDC DYNAMIC			
				-			
SIZE	CAGE CODE	DRAWING NO	RESTRICTED TO				
A3	-	©-2316663	-				
SCALE		SHEET		OF		REV	
8:1		1		1		B	