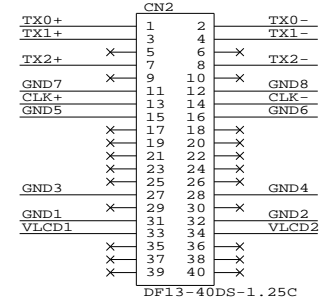
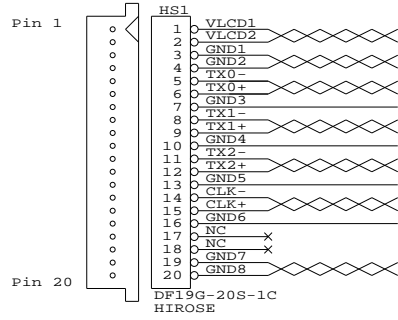


PANEL SIDE

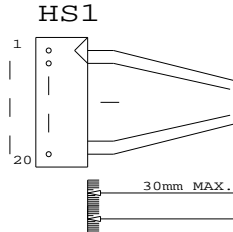


TOLERANCE:  
+1.0mm  
-1.0mm

HIROSE

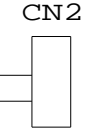
DF19G-20S-1C

HEAT SHRINKABLE TUBE

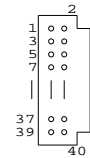


CABLE TIE WITH  
"P/N 426492200-3" TAG

HEAT SHRINKABLE TUBE



DF-40DS-1.25C  
HIROSE



HS1 PIN ASSIGNMENT  
VIEW FROM 'A'

VIEW 'A'

LENGTH = 460mm +/- 10mm

CABLE: SHIELDED ROUND  
UL 20276, 9 PAIRS, 30AWG, L=460mm  
JACKET: PVC COLOR BLACK

USAGE:  
CABLE FOR AU104SN02 PANEL  
(FOR SVH-1920)

P/N 426492200-3  
LVDS PANEL CABLE: AU104SN02, 460mm

DIGITAL VIEW LTD. COPYRIGHT 2006, ALL RIGHTS RESERVED CONFIDENTIAL		
DRAWN BY: VICTOR NG		
Title LVDS CABLE: AU104SN02, 460mm		
Size	Document Number	REV
B	(...\DV\DV_CABLE\C6492200.SCH)	01
Date:	March 21, 2006	Sheet 1 of 1