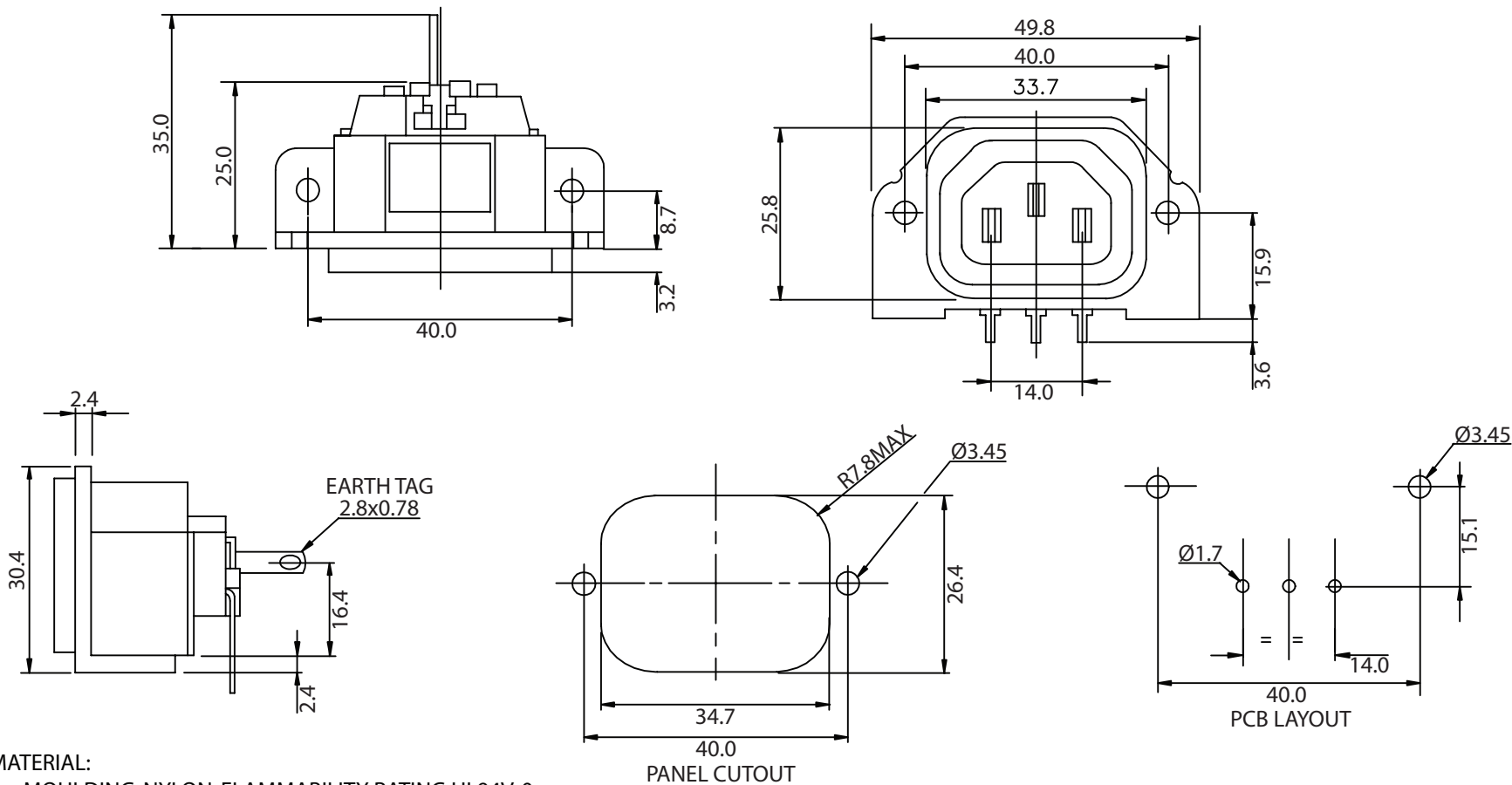


THESE DRAWINGS ARE THE PROPERTY OF QUALTEK ELECTRONICS AND NOT TO BE REPRODUCED FOR OR COMMUNICATED TO A THIRD PARTY WITHOUT THE EXPRESS WRITTEN PERMISSION OF AN OFFICER OF QUALTEK ELECTRONICS.

REVISION			
REV.	DESCRIPTION	DATE	APPROVED
B	RoHS Compliancy	06-01-06	DP
C	Updated Approvals	03-16-15	LY



MATERIAL:
 MOULDING: NYLON, FLAMMABILITY RATING UL94V-0
 TERMINALS: BRASS, TIN PLATED

RATING:
 UL, CSA: 15A 250VAC
 CONTACT RESISTANCE: <10 m OHM
 INSULATION RESISTANCE: >10³ M OHM

A.C. BREAKDOWN:
 POLE-POLE: 4kV
 POLES-PANEL: 9kV

OPERATING TEMPERATURE: -40°C TO +70°C
APPROVALS: UL, CSA
RoHS COMPLIANT

CONTROLLED

Dim range (mm)	Tolerance +/- (mm)	Qualtek Electronics Corp. PPC DIVISION		
		Part Number: 710-00/09	RoHS Compliant	
0-1	0.15	Description: AC RECEPTACLE		
1-6	0.20			
6-18	0.30	UNIT: mm	REV. C	
18-50	0.50		Approved / Date	
50-120	0.70	Drawn / Date	Checked / Date	Approved / Date
120-250	0.90	B.Zhang 03-09-04	03-09-04	JJH / 03-09-04
250-500	1.20			