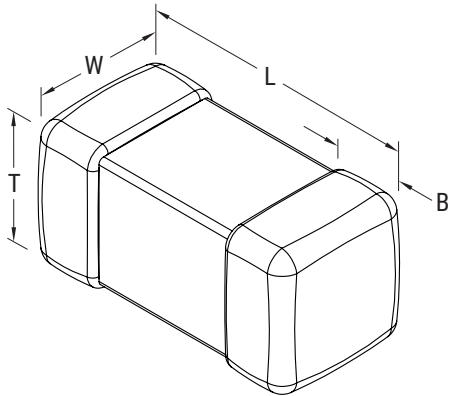


## Sample Kit Contents

KEMET Part Number	Case Size	Capacitance	Cap Tolerance	Rated Voltage	Dielectric	Quantity
	EIA/Metric	(pF)	%	(V)		
CBR06C208BAGAC	0603 / 1608	0.2	±0.1 pF	250	COG	100
CBR06C308BAGAC	0603 / 1608	0.3	±0.1 pF	250	COG	100
CBR06C408BAGAC	0603 / 1608	0.4	±0.1 pF	250	COG	100
CBR06C508BAGAC	0603 / 1608	0.5	±0.1 pF	250	COG	100
CBR06C608BAGAC	0603 / 1608	0.6	±0.1 pF	250	COG	100
CBR06C708BAGAC	0603 / 1608	0.7	±0.1 pF	250	COG	100
CBR06C808BAGAC	0603 / 1608	0.8	±0.1 pF	250	COG	100
CBR06C908BAGAC	0603 / 1608	0.9	±0.1 pF	250	COG	100
CBR06C109BAGAC	0603 / 1608	1.0	±0.1 pF	250	COG	100
CBR06C129BAGAC	0603 / 1608	1.2	±0.1 pF	250	COG	100
CBR06C159BAGAC	0603 / 1608	1.5	±0.1 pF	250	COG	100
CBR06C189BAGAC	0603 / 1608	1.8	±0.1 pF	250	COG	100
CBR06C209BAGAC	0603 / 1608	2.0	±0.1 pF	250	COG	100
CBR06C229BAGAC	0603 / 1608	2.2	±0.1 pF	250	COG	100
CBR06C279BAGAC	0603 / 1608	2.7	±0.1 pF	250	COG	100
CBR06C309BAGAC	0603 / 1608	3.0	±0.1 pF	250	COG	100
CBR06C339BAGAC	0603 / 1608	3.3	±0.1 pF	250	COG	100
CBR06C399BAGAC	0603 / 1608	3.9	±0.1 pF	250	COG	100
CBR06C409BAGAC	0603 / 1608	4.0	±0.1 pF	250	COG	100
CBR06C479BAGAC	0603 / 1608	4.7	±0.1 pF	250	COG	100
CBR06C509CAGAC	0603 / 1608	5.0	±0.25 pF	250	COG	100
CBR06C569CAGAC	0603 / 1608	5.6	±0.25 pF	250	COG	100
CBR06C609CAGAC	0603 / 1608	6.0	±0.25 pF	250	COG	100
CBR06C689CAGAC	0603 / 1608	6.8	±0.25 pF	250	COG	100
CBR06C709CAGAC	0603 / 1608	7.0	±0.25 pF	250	COG	100
CBR06C759CAGAC	0603 / 1608	7.5	±0.25 pF	250	COG	100
CBR06C809CAGAC	0603 / 1608	8.0	±0.25 pF	250	COG	100
CBR06C829CAGAC	0603 / 1608	8.2	±0.25 pF	250	COG	100
CBR06C909CAGAC	0603 / 1608	9.0	±0.25 pF	250	COG	100
CBR06C100JAGAC	0603 / 1608	10.0	5%	250	COG	100
CBR06C120JAGAC	0603 / 1608	12.0	5%	250	COG	100
CBR06C150JAGAC	0603 / 1608	15.0	5%	250	COG	100
CBR06C180JAGAC	0603 / 1608	18.0	5%	250	COG	100
CBR06C220JAGAC	0603 / 1608	22.0	5%	250	COG	100
CBR06C270JAGAC	0603 / 1608	27.0	5%	250	COG	100
CBR06C330JAGAC	0603 / 1608	33.0	5%	250	COG	100
CBR06C390JAGAC	0603 / 1608	39.0	5%	250	COG	100
CBR06C470JAGAC	0603 / 1608	47.0	5%	250	COG	100
CBR06C560JAGAC	0603 / 1608	56.0	5%	250	COG	100
CBR06C680JAGAC	0603 / 1608	68.0	5%	250	COG	100
CBR06C820JAGAC	0603 / 1608	82.0	5%	250	COG	100
CBR06C101JAGAC	0603 / 1608	100.0	5%	250	COG	100
KEMET Part Number	Case Size	Capacitance	Cap Tolerance	Rated Voltage	Dielectric	Quantity

## Dimensions – Millimeters (Inches)



Case Size (in.)	Case Size (mm)	L Length	W Width	T Thickness	B Bandwidth	Mounting Technique
0603	1608	1.60 ±0.10 (0.063 ±0.004)	0.80 ±0.10 (0.031 ±0.004)	0.80 ±0.1 (0.031 ±0.004)	0.40 ±0.20 (0.016 ±0.008)	Solder Wave or Solder Reflow