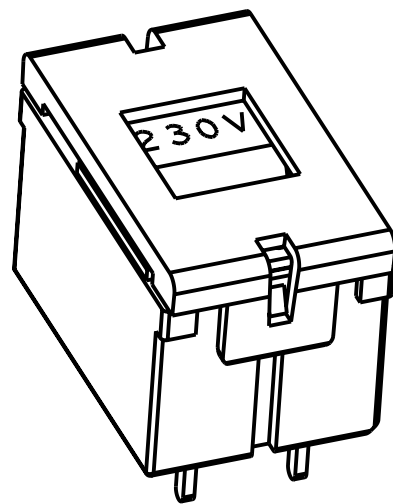
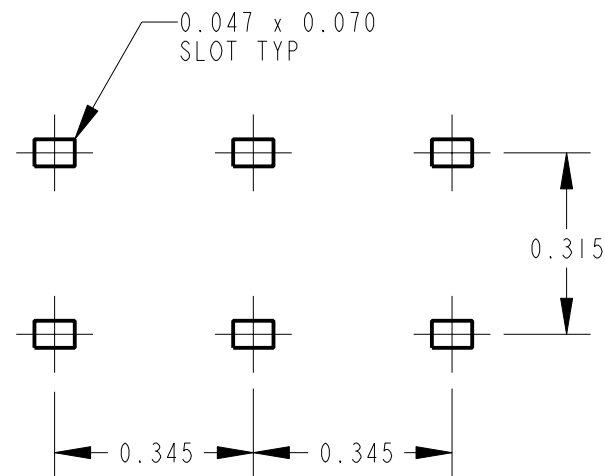


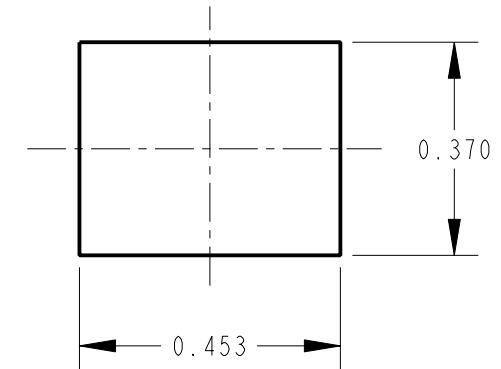
SCREWDRIVER SLOT  
SEE NOTE 1



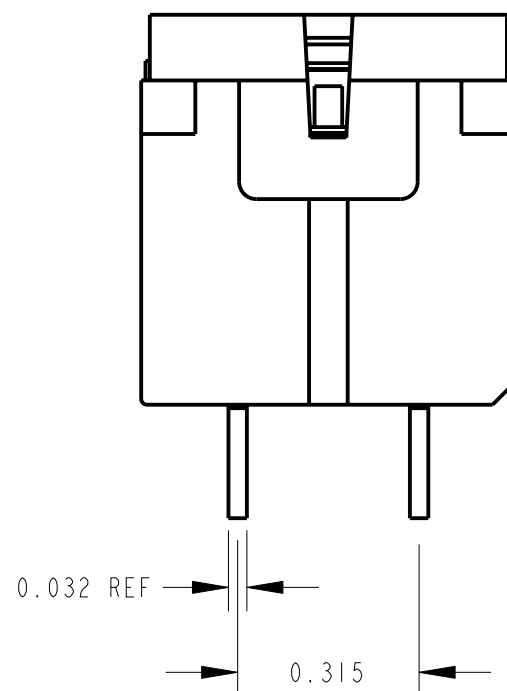
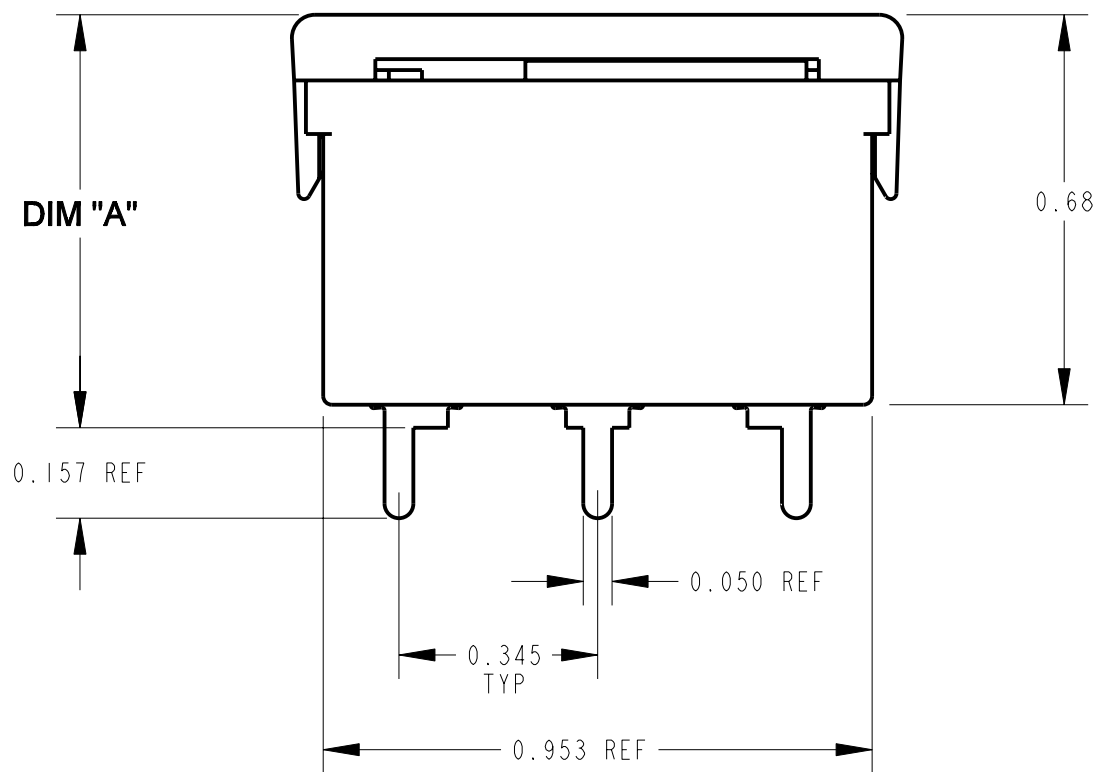
SCALE 2:1



RECOMMENDED  
PC BOARD LAYOUT



RECOMMENDED  
PANEL OPENING



SUPERSEDED  
BY  
ECO # 27466

PART NUMBER	DIM "A" SWITCH HEIGHT
EPS4PC1	0.717
EPS4PC2	0.755

CUSTOMER DRAWING

NOTES:

- 115V VISIBLE IN OTHER POSITION.
- THESE SWITCHES ARE NOT "VDE" CERTIFIED.

REV	ECO NUMBER	DATE	BY	APVD
D	21267	11/12/12	TJK	TJK
REVISIONS				

- ★ STAR SYMBOL DENOTES CRITICAL DIMENSION
- UNLESS OTHERWISE SPECIFIED
- 1. ALL DIMENSIONS IN INCHES
  - TWO PLACE DECIMALS ±0.01
  - THREE PLACE DECIMALS ±0.005
  - ANGLES ±1°
  - ALL DIA. CONCENTRIC WITHIN 0.005 T.I.R.
- 2. FEATURES ON THE SAME CENTERLINE MUST BE ALIGNED WITHIN ±0.002
- 3. REMOVE ALL BURRS

DO NOT SCALE DRAWING

THIS DRAWING DESCRIBES A DESIGN CONSIDERED PROPRIETARY IN NATURE, DEVELOPED AND MANUFACTURED BY SWITCHCRAFT INC. AND IS RELEASED ON A CONFIDENTIAL BASIS FOR IDENTIFICATION PURPOSES ONLY.				
SIZE	WIDTH	MULT	LBS/M	TEMPER
FINISH		MATERIAL		
SPEC No.		SPEC No.		
FIRST USED ON		SCALE		
		3:1		
DATE DRAWN	BY	CHKD	APVD	
12-Nov-12	TJK	TJK	TJK	
		11/12/12	11/12/12	
NAME			PART No.	REV
LINE VOLTAGE SLIDE SWITCH			EPS4PC1-EPC4PC2	D

**Switchcraft**<sup>®</sup>

SHEET 1 OF 1