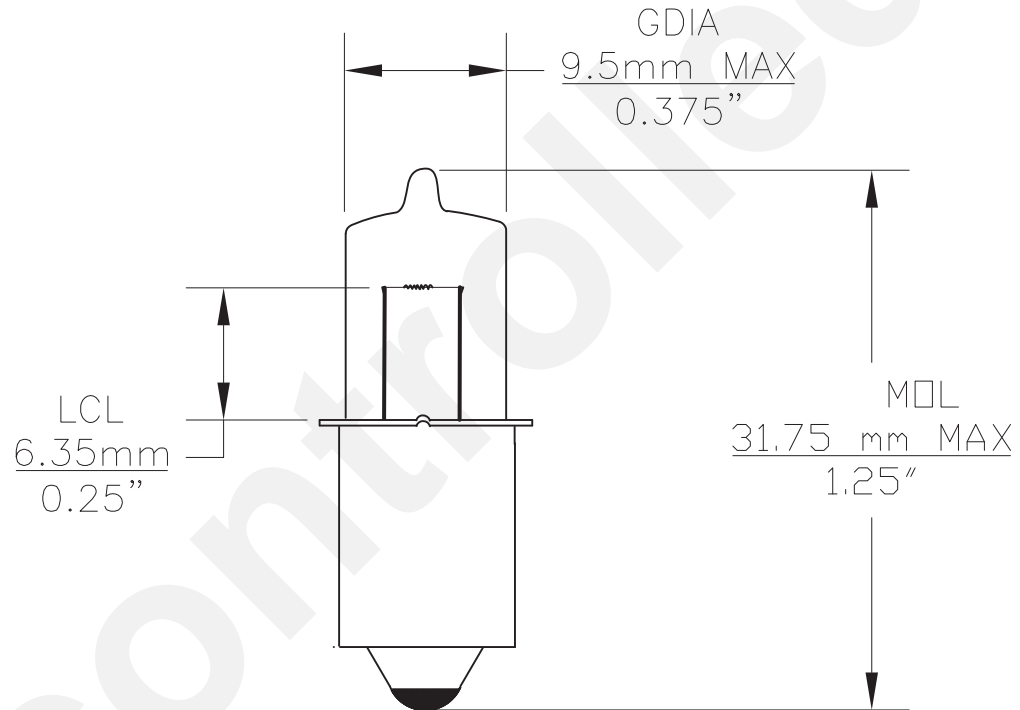
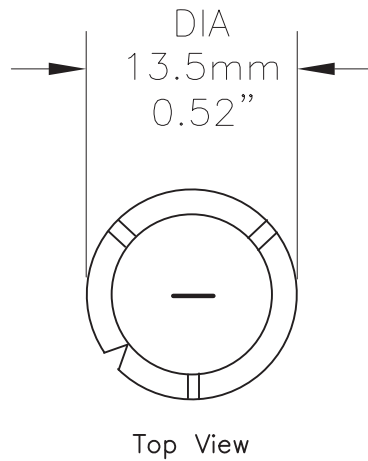


PART NO.	BASE TYPE	DESIGN VOLTS	DESIGN AMPS	MSCP	Filament Type	AVG LIFE
HPR53	S.C. Miniature Flanged	4.0V	0.85	4.77±15%	C-6	25hr

REVISIONS			
REV	DESCRIPTION	DATE	APPROVED
1	Corrected MSCP	01/28/2005	D.C.



UNLESS OTHERWISE SPECIFIED: DIMENSIONS ARE IN INCHES TOLERANCES		CEC INDUSTRIES LTD			
DECIMALS .XX ± .05 .XXX ± .010 FRACTIONAL ± 1/64		599 BOND STREET		LINCOLNSHIRE, IL 60069	
ANGULAR ± 0.5°		TITLE HPR 53			
DRAWN Anna Soloveychik	DATE 11/14/03	SIZE A	FSCM NO.	DWG NO. HPR53	REV 1
CHECKED		SCALE	PLOT SCALE	SHEET 1 OF 1	
DESIGN		FILE HPR53.dwg		DO NOT SCALE DRAWING	