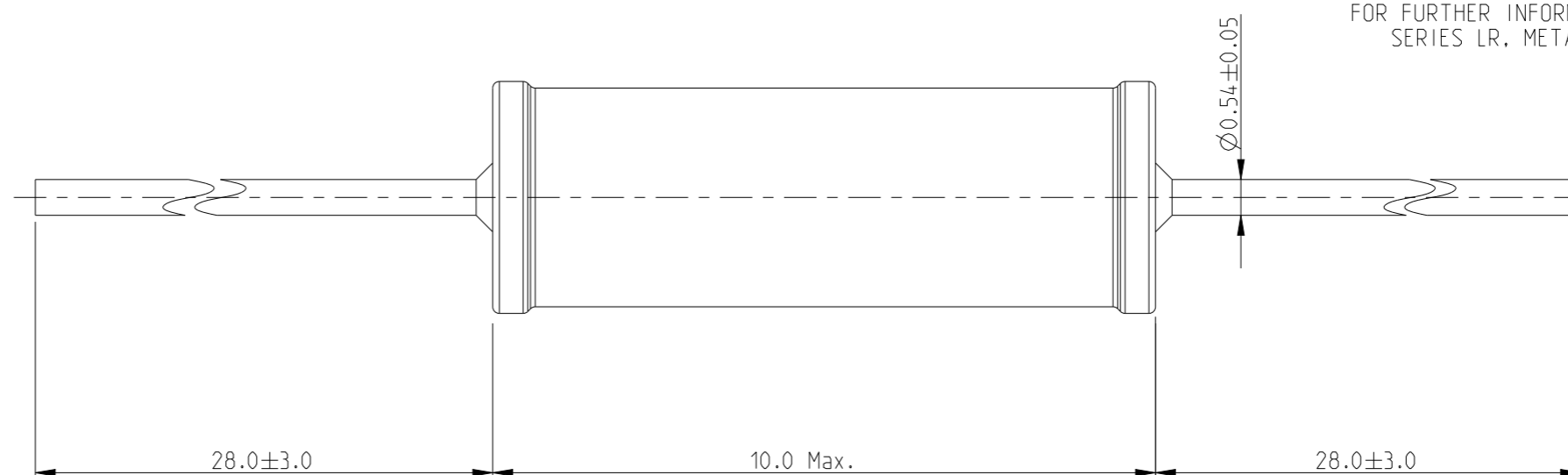
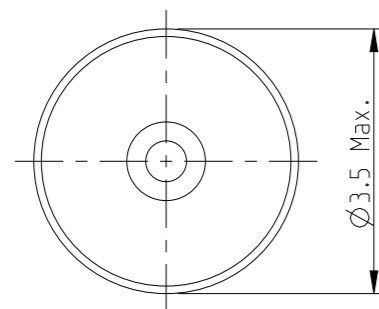


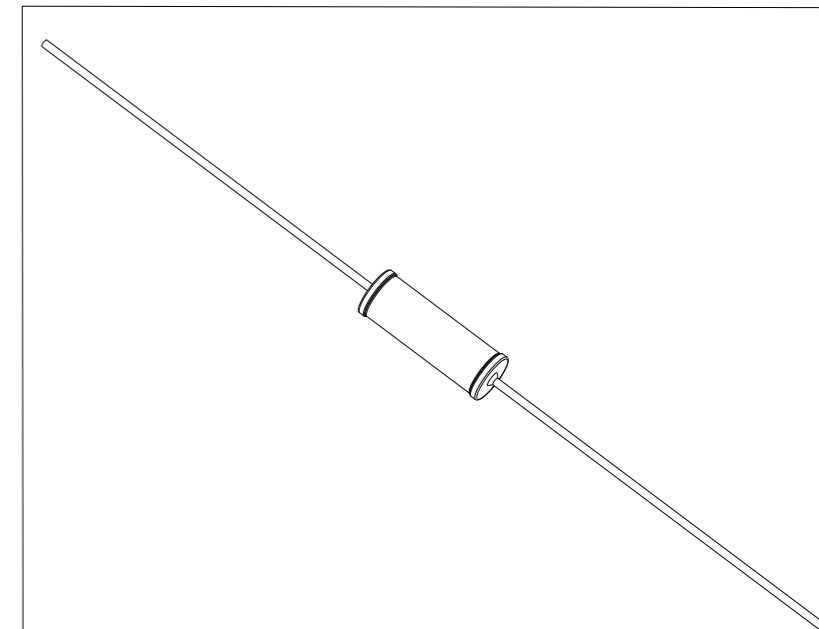
REVISIONS

P	LTR	DESCRIPTION	DATE	DWN	APVD
	BA	NEW RELEASE	07 JULY 2010	PT	St.P
	BB	CLARIFICATION OF DIMENSIONS	18 JAN 2023	DM	AP



FOR FURTHER INFORMATION SEE DATA SHEET FOR SERIES LR, METAL FILM FIXED RESISTORS

RoHS Compliant



THIS DRAWING IS A CONTROLLED DOCUMENT.

DWN 07 JULY 2010
 PARUSURAM.T
 CHK 07 JULY 2010
 ALLAN.P
 APVD 07 JULY 2010
 STEPHEN.P
 PRODUCT SPEC

METAL FILM FIXED RESISTORS
SERIES LR2



DIMENSIONS:	TOLERANCES UNLESS OTHERWISE SPECIFIED:
mm	
	0 PLC ± 0.2
	1 PLC ± 0.1
	2 PLC \pm
	3 PLC \pm
	4 PLC \pm
	ANGLES $\pm 5^\circ$
MATERIAL	FINISH
-	-

APPLICATION SPEC -
 WEIGHT -
 CUSTOMER DRAWING

SIZE	CAGE CODE	DRAWING NO	RESTRICTED TO
A3	00779	C=1622789	-
SCALE 10:1		SHEET 1 OF 1	REV BB