

PACVGA105

VGA Port Companion Circuit

Product Description

The PACVGA105 incorporates 7 channels of ESD protection for signal lines commonly found in a VGA port for PCs. ESD protection is implemented with current steering diodes designed to safely handle the high peak surge currents associated with the IEC-1000-4-2 Level-4 ESD Protection Standard (± 8 kV contact discharge). When the channels are subjected to an electrostatic discharge, the ESD current pulse is diverted via the protection diodes into the positive supply rails or ground where they may be safely dissipated.

The upper ESD diodes for the R, G and B channels are connected to a separate supply rail (V_{RGB}) to facilitate interfacing to graphics controller ICs with low voltage supplies. The remaining channels are connected to the main 5 V rail (V_{CC}). The lower diodes for the R, G and B channels are also connected to a dedicated ground pin (GNDA) to minimize crosstalk due to common ground impedance.

Two non-inverting buffers are also included in this IC for buffering the HSYNC and VSYNC signals from the graphics controller IC. These buffers will accept TTL input levels and convert them to CMOS output levels that swing between GND and V_{CC} . These drivers have a nominal 60 Ω output impedance to match the characteristic impedance of the HSYNC and VSYNC lines of the video cables typically used. The inputs of these drivers also have high impedance pull-ups (50 k Ω nom.) pulling up to the V_{AUX} rail. In addition, the DDC_CLOCK and DDC_DATA channels have 1.8 k Ω resistors pulling these inputs up to the main 5 V (V_{CC}) rail.

Features

- Seven Channels of ESD Protection Designed to Meet IEC-1000-4-2 Level-4 ESD Requirements (± 8 kV Contact Discharge)
- Very Low Loading Capacitance from ESD Protection Diodes at Less than 5 pF Typical
- TTL to CMOS Level-Translating Buffers for the HSYNC and VSYNC Lines
- Three Independent Supply Pins (V_{CC} , V_{RGB} and V_{AUX}) to Facilitate Operation with Sub-Micron Graphics Controller ICs
- High impedance Pull-Ups (50 k Ω Nominal to V_{AUX}) for HSYNC and VSYNC Inputs
- Pull-Up Resistors (1.8 k Ω Nominal to V_{CC}) for DDC_CLK and DDC_DATA Lines
- Compact 16-Pin QSOP Package
- These Devices are Pb-Free and are RoHS Compliant

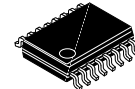
Applications

- ESD Protection and Termination Resistors for VGA (Video) Port Interfaces
- Desktop PCs
- Notebook Computers
- LCD Monitors



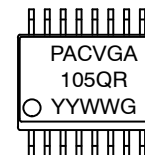
ON Semiconductor®

<http://onsemi.com>



QSOP16
QR SUFFIX
CASE 492

MARKING DIAGRAM



PACVGA105QR = Specific Device Code
YY = Year
WW = Work Week
G = Pb-Free Package

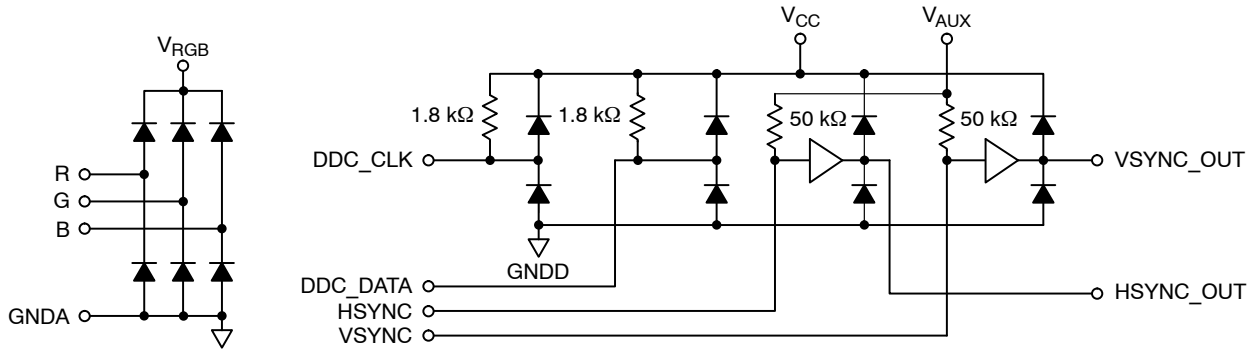
ORDERING INFORMATION

Device	Package	Shipping†
PACVGA105QR	QSOP16 (Pb-Free)	2500/Tape & Reel

†For information on tape and reel specifications, including part orientation and tape sizes, please refer to our Tape and Reel Packaging Specification Brochure, BRD8011/D.

PACVGA105

SIMPLIFIED ELECTRICAL SCHEMATIC



PACKAGE / PINOUT DIAGRAMS

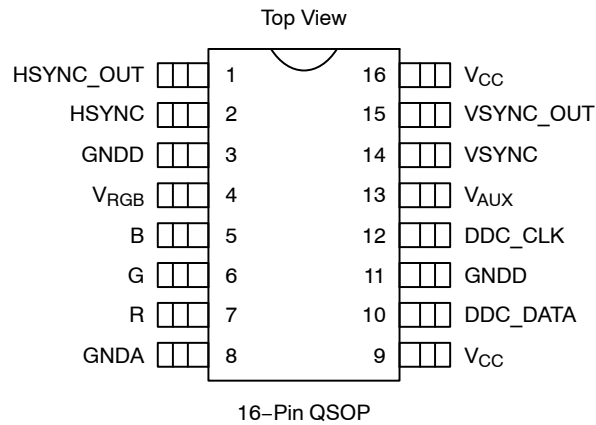


Table 1. PIN DESCRIPTIONS

Lead(s)	Name	Description
1	HSYNC_OUT	Horizontal sync signal buffer output. Connects to the video connector side of the horizontal sync line.
2	HSYNC	Horizontal sync signal buffer input. Connects to the VGA Controller side of the horizontal sync line.
3, 11	GNDD	Digital ground reference supply pin.
4	V _{RGB}	V _{RGB} supply pin. This is an isolated supply pin for the R, G and B ESD protection circuits.
5	B	Blue signal video protection channel. This pin is typically tied to the B video line between the VGA controller device and the video connector.
6	G	Green signal video protection channel. This pin is typically tied to the G video line between the VGA controller device and the video connector.
7	R	Red signal video protection channel. This pin is typically tied to the R video line between the VGA controller device and the video connector.
8	GNDA	Analog ground reference supply pin.
9, 16	V _{CC}	V _{CC} supply pin. This is the main supply input for the DDC_CLK and DDC_DATA pullup resistors and ESD protection circuits. It is also connected to the sync buffers and to the ESD protection diodes present on the HSYNC_OUT and VSYNC_OUT lines.
10	DDC_DATA	DDC data pin.
12	DDC_CLK	DDC clock pin.
13	V _{AUX}	V _{AUX} supply pin. This is the supply input for the 50 kΩ pullups connected to the HSYNC and VSYNC buffer inputs.
14	VSYNC	Vertical sync signal buffer input. Connects to the VGA Controller side of the vertical sync line.
15	VSYNC_OUT	Vertical sync signal buffer output. Connects to the video connector side of the vertical sync line.

PACVGA105

SPECIFICATIONS

Table 2. ABSOLUTE MAXIMUM RATINGS

Parameter	Rating	Units
V_{CC} , V_{RGB} , V_{AUX} Supply Voltage Inputs	[GND - 0.5] to +6.0	V
Diode Forward Current (One Diode Conducting at a Time)	20	mA
DC Voltage at Inputs R, G, B HSYNC, VSYNC DDC_CLK, DDC_DATA	[GND - 0.5] to [$V_{RGB} + 0.5$] [GND - 0.5] to [$V_{AUX} + 0.5$] [GND - 0.5] to [$V_{CC} + 0.5$]	V
Operating Temperature Range	0 to +70	°C
Storage Temperature Range	-40 to +150	°C
Package Power Rating	750	mW

Stresses exceeding Maximum Ratings may damage the device. Maximum Ratings are stress ratings only. Functional operation above the Recommended Operating Conditions is not implied. Extended exposure to stresses above the Recommended Operating Conditions may affect device reliability.

Table 3. STANDARD OPERATING CONDITIONS

Symbol	Parameter	Min	Max	Units
V_{CC}	Main Supply Voltage	4.5	5.5	V
V_{RGB}	RGB Supply Voltage	1.7	3.7	V
V_{AUX}	Auxiliary Supply Voltage	2.9	3.7	V
V_{IH}	Logic High Input Voltage (Note 1)	2.0		V
V_{IL}	Logic Low Input Voltage (Note 1)		0.8	V
V_I	Input Voltage RGB HSYNC, VSYNC DDC_CLK, DDC_DATA	0 0 0	V_{RGB} V_{AUX} V_{CC}	V
I_{OH}	High Level Output Current (Note 1)		-8	mA
I_{OL}	Low Level Output Current (Note 1)		8	mA
T_A	Free-Air Operating Temperature	0	+70	°C

1. These parameters apply only to the HSYNC and VSYNC signals.

PACVGA105

SPECIFICATIONS (Cont'd)

Table 4. ELECTRICAL OPERATING CHARACTERISTICS (Note 1)

Symbol	Parameter	Conditions	Min	Typ	Max	Units
V_F	Diode Forward Voltage	$I_F = 10 \text{ mA}$			1.0	V
V_{OH}	Logic High Output Voltage	$I_{OH} = -4 \text{ mA}$, $V_{CC} = 4.5 \text{ V}$	4.0			V
V_{OL}	Logic Low Output Voltage	$I_{OL} = 4 \text{ mA}$, $V_{CC} = 4.5 \text{ V}$			0.4	V
I_{IN}	Input Current R, G and B Pins HSYNC, VSYNC Pins HSYNC, VSYNC Pins	$V_{RGB} = 3.63 \text{ V}$, $V_{IN} = V_{RGB}$ or GND $V_{AUX} = 3.63 \text{ V}$, $V_{IN} = V_{AUX}$ $V_{AUX} = 3.63 \text{ V}$, $V_{IN} = \text{GND}$	-30.0	-72.5	± 1 ± 1 -95.0	μA
I_{CC}	V_{CC} Supply Current	$V_{CC} = 5.5 \text{ V}$, $V_{AUX} = V_{RGB} = 2.97 \text{ V}$, All Inputs and Outputs Floating		35	100	μA
I_{RGB}	V_{RGB} Supply Current	R, G and B Pins at V_{CC} or GND, All Inputs and Outputs Floating			10	μA
C_{IN}	Input Capacitance R, G and B pins HSYNC, VSYNC pins DDC_DATA, DDC_CLK pins	Note 2 Applies for All Cases		5 10 5		pF
R_{PU}	Pull-up Resistance DDC_DATA, DDC_CLK pins		1.62	1.80	1.98	k Ω
V_{ESD}	ESD Withstand Voltage	$V_{CC} = 5 \text{ V}$, $V_{RGB} = 3.3 \text{ V}$, $V_{AUX} = 3.3 \text{ V}$ (Note 3)	± 8			kV
t_{PLH}	SYNC Buffer L \geq H Propagation Delay	$C_L = 50 \text{ pF}$, $V_{CC} = 5.0 \text{ V}$, $R_L = 500 \Omega$ (Note 4)		7.0	15.0	ns
t_{PHL}	SYNC Buffer H \geq L Propagation Delay	$C_L = 50 \text{ pF}$, $V_{CC} = 5.0 \text{ V}$, $R_L = 500 \Omega$ (Note 4)		7.0	15.0	ns
t_R, t_F	SYNC Buffer Output Rise & Fall Times	$C_L = 50 \text{ pF}$, $V_{CC} = 5.0 \text{ V}$, $R_L = 500 \Omega$ (Note 4)		7.0		ns

- All parameters specified over standard operating conditions unless otherwise noted.
- Measured at 1 MHz. R/G/B inputs biased at 1.65 V with $V_{RGB} = 3.3 \text{ V}$. DDC_CLK and DDC_DATA biased at 2.5 V with $V_{CC} = 5 \text{ V}$. HSYNC and VSYNC inputs biased at V_{AUX} or GND with $V_{AUX} = 3.3 \text{ V}$ and $V_{CC} = 5 \text{ V}$.
- Per the IEC-61000-4-2 International ESD Standard, Level 4 contact discharge method. V_{RGB} and V_{CC} must be bypassed to GND via a low impedance ground plane with a 0.2 μF , low inductance, chip ceramic capacitor at each supply pin. ESD pulse is applied between the applicable pins and GND. ESD pulse can be positive or negative with respect to GND. Applicable pins are: R, G, B, HSYNC_OUT, VSYNC_OUT, DDC_CLK and DDC_DATA. The HSYNC and VSYNC inputs are ESD protected to the industry standard 2 kV per the Human Body Model (MIL-STD-883, Method 3015).
- Applicable to the SYNC buffers only. Input signals swing between 0 V and 3.0 V, with rise and fall times $\leq 5 \text{ ns}$. Guaranteed by correlation to buffer output drive currents.

PACVGA105

APPLICATION INFORMATION

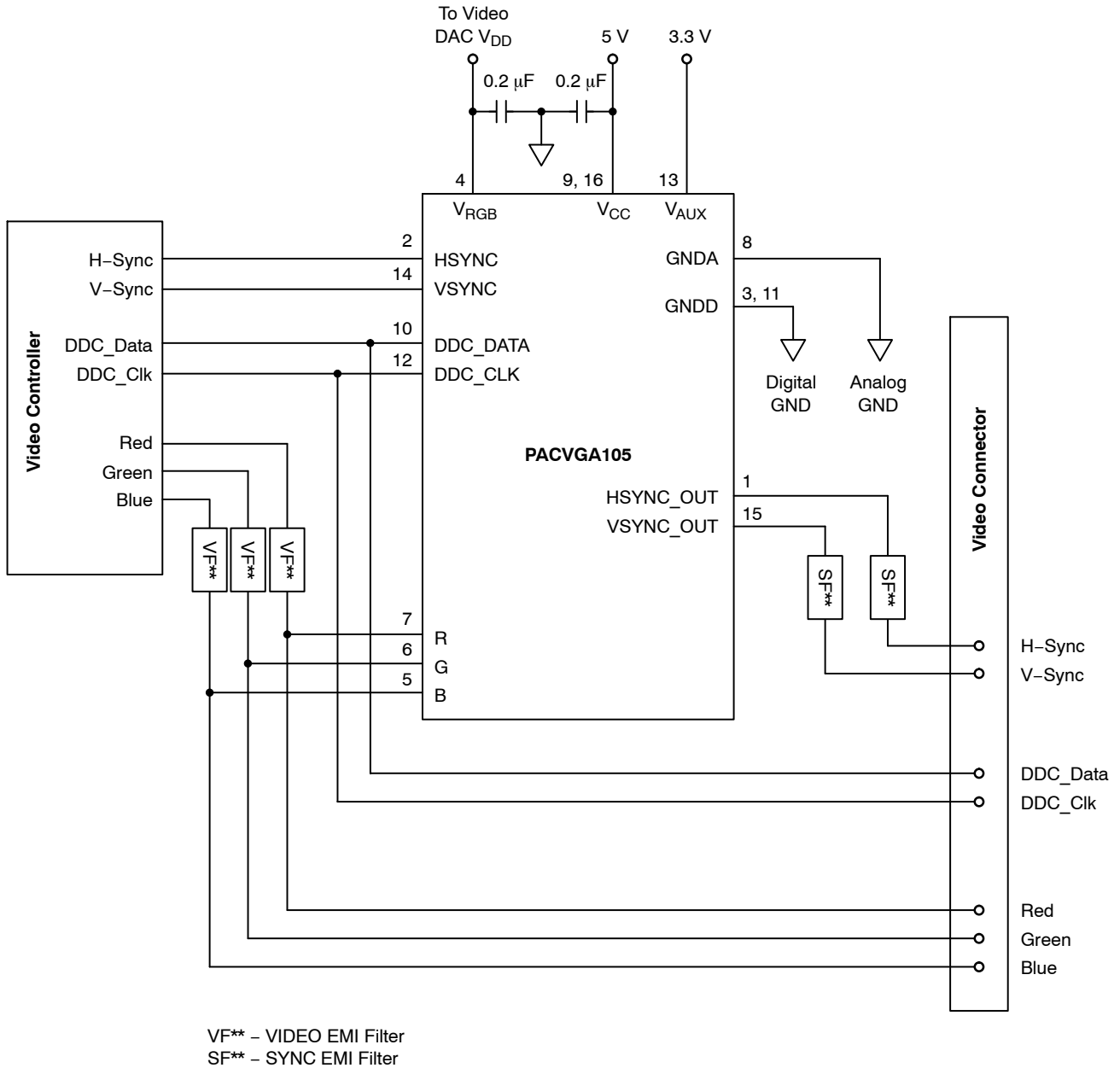
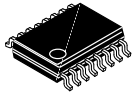


Figure 1. Typical Connection Diagram

GNDA, the negative voltage rail for the R, G and B diodes is not connected internally to GNDD. GNDA should ideally be connected to the ground of the video DAC IC. This will prevent any ground bounce caused by digital signals from injecting noise onto the R, G and B signals. Analog GND and digital GND are typically connected on the printed circuit board.

MECHANICAL CASE OUTLINE PACKAGE DIMENSIONS

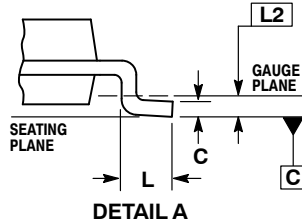
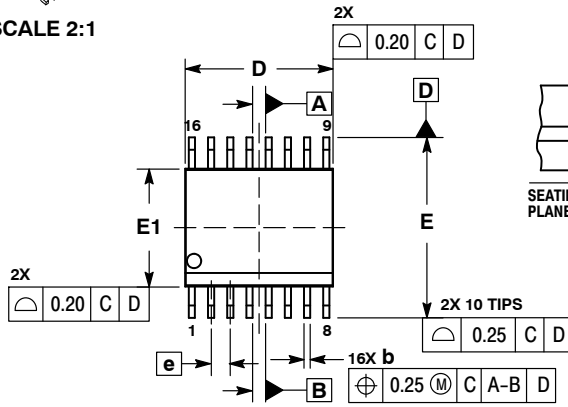
ON Semiconductor®



SCALE 2:1

QSOP16 CASE 492-01 ISSUE A

DATE 23 MAR 2011

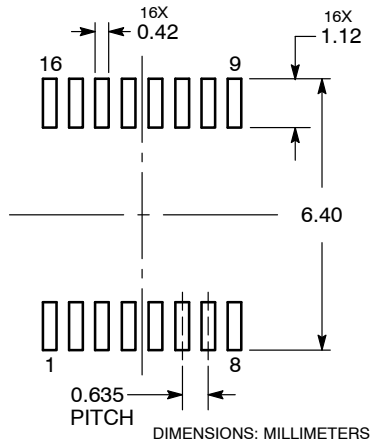


NOTES:

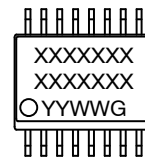
1. DIMENSIONING AND TOLERANCING PER ASME Y14.5M, 1994.
2. CONTROLLING DIMENSION: MILLIMETERS.
3. DIMENSION b DOES NOT INCLUDE DAMBAR PROTRUSION.
4. DIMENSION D DOES NOT INCLUDE MOLD FLASH, PROTRUSIONS, OR GATE BURRS. MOLD FLASH, PROTRUSIONS, OR GATE BURRS SHALL NOT EXCEED 0.005 PER SIDE. DIMENSION E1 DOES NOT INCLUDE INTERLEAD FLASH OR PROTRUSION. INTERLEAD FLASH OR PROTRUSION SHALL NOT EXCEED 0.005 PER SIDE. D AND E1 ARE DETERMINED AT DATUM H.
5. DATUMS A AND B ARE DETERMINED AT DATUM H.

DIM	INCHES		MILLIMETERS	
	MIN	MAX	MIN	MAX
A	0.053	0.069	1.35	1.75
A1	0.004	0.010	0.10	0.25
A2	0.049	----	1.24	----
b	0.008	0.012	0.20	0.30
c	0.007	0.010	0.19	0.25
D	0.193 BSC		4.89 BSC	
E	0.237 BSC		6.00 BSC	
E1	0.154 BSC		3.90 BSC	
e	0.025 BSC		0.635 BSC	
h	0.009	0.020	0.22	0.50
L	0.016	0.050	0.40	1.27
L2	0.010 BSC		0.25 BSC	
M	0°	8°	0°	8°

SOLDERING FOOTPRINT



GENERIC MARKING DIAGRAM*



- XXXXXX = Specific Device Code
- YY = Year
- WW = Work Week
- G = Pb-Free Package

*This information is generic. Please refer to device data sheet for actual part marking. Pb-Free indicator, "G", may or not be present.

DOCUMENT NUMBER:	98AON04472D	Electronic versions are uncontrolled except when accessed directly from the Document Repository. Printed versions are uncontrolled except when stamped "CONTROLLED COPY" in red.
DESCRIPTION:	QSOP16	PAGE 1 OF 1

ON Semiconductor and are trademarks of Semiconductor Components Industries, LLC dba ON Semiconductor or its subsidiaries in the United States and/or other countries. ON Semiconductor reserves the right to make changes without further notice to any products herein. ON Semiconductor makes no warranty, representation or guarantee regarding the suitability of its products for any particular purpose, nor does ON Semiconductor assume any liability arising out of the application or use of any product or circuit, and specifically disclaims any and all liability, including without limitation special, consequential or incidental damages. ON Semiconductor does not convey any license under its patent rights nor the rights of others.

onsemi, **Onsemi**, and other names, marks, and brands are registered and/or common law trademarks of Semiconductor Components Industries, LLC dba "**onsemi**" or its affiliates and/or subsidiaries in the United States and/or other countries. **onsemi** owns the rights to a number of patents, trademarks, copyrights, trade secrets, and other intellectual property. A listing of **onsemi**'s product/patent coverage may be accessed at www.onsemi.com/site/pdf/Patent-Marking.pdf. **onsemi** reserves the right to make changes at any time to any products or information herein, without notice. The information herein is provided "as-is" and **onsemi** makes no warranty, representation or guarantee regarding the accuracy of the information, product features, availability, functionality, or suitability of its products for any particular purpose, nor does **onsemi** assume any liability arising out of the application or use of any product or circuit, and specifically disclaims any and all liability, including without limitation special, consequential or incidental damages. Buyer is responsible for its products and applications using **onsemi** products, including compliance with all laws, regulations and safety requirements or standards, regardless of any support or applications information provided by **onsemi**. "Typical" parameters which may be provided in **onsemi** data sheets and/or specifications can and do vary in different applications and actual performance may vary over time. All operating parameters, including "Typicals" must be validated for each customer application by customer's technical experts. **onsemi** does not convey any license under any of its intellectual property rights nor the rights of others. **onsemi** products are not designed, intended, or authorized for use as a critical component in life support systems or any FDA Class 3 medical devices or medical devices with a same or similar classification in a foreign jurisdiction or any devices intended for implantation in the human body. Should Buyer purchase or use **onsemi** products for any such unintended or unauthorized application, Buyer shall indemnify and hold **onsemi** and its officers, employees, subsidiaries, affiliates, and distributors harmless against all claims, costs, damages, and expenses, and reasonable attorney fees arising out of, directly or indirectly, any claim of personal injury or death associated with such unintended or unauthorized use, even if such claim alleges that **onsemi** was negligent regarding the design or manufacture of the part. **onsemi** is an Equal Opportunity/Affirmative Action Employer. This literature is subject to all applicable copyright laws and is not for resale in any manner.

PUBLICATION ORDERING INFORMATION

LITERATURE FULFILLMENT:

Email Requests to: orderlit@onsemi.com

onsemi Website: www.onsemi.com

TECHNICAL SUPPORT

North American Technical Support:

Voice Mail: 1 800-282-9855 Toll Free USA/Canada

Phone: 011 421 33 790 2910

Europe, Middle East and Africa Technical Support:

Phone: 00421 33 790 2910

For additional information, please contact your local Sales Representative