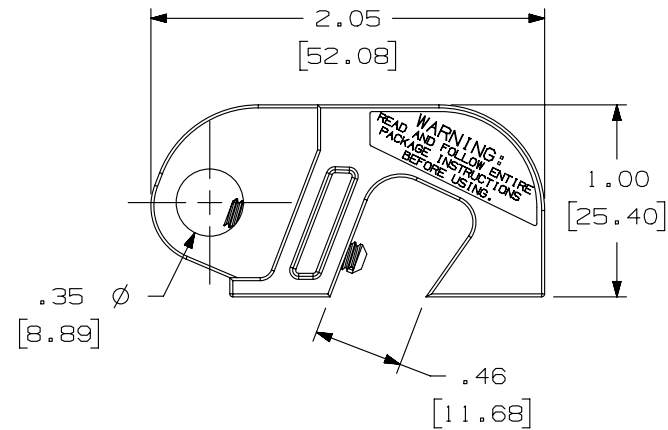
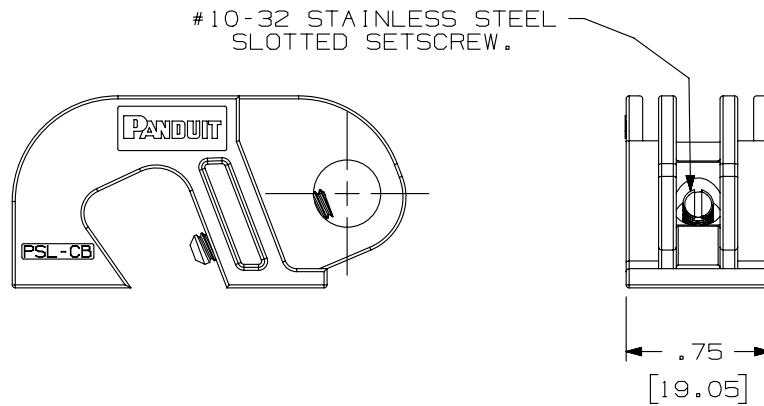


THIS COPY IS PROVIDED ON A RESTRICTED BASIS AND IS NOT TO BE USED IN ANY WAY DETRIMENTAL TO THE INTERESTS OF PANDUIT CORP.

PART NUMBER	PACKAGE QTY.
PSL - CB	1
PSL - CB - V	5

NOTES:  
 1. MILLIMETERS ARE SHOWN IN BRACKETS.



REV	DATE	BY	CHK	APR	DESCRIPTION	ECN
3	11/5/14	RVU	MJPF	MSAD	REMOVE PSL-CBG FROM TITLE.	GAECN02362
2	8/15/14	RVU	MJPF	MSAD	REMOVE PN, PSL-CBG.	GAECN02253
1	5/8/14	RVU	MJPF	MSAD	CREATED NEW FINISHED GOOD PART NUMBER TABLE AND TITLE. MOVED PART NUMBER FROM TOP RIGHT TO LOWER LEFT.	GAECN01128
R	11/25/03	RVU		DWY	DRAWING RELEASE.	3472

TITLE		PSL-CB, PSL-CB-V UNIVERSAL CIRCUIT BREAKER LOCKOUT CUSTOMER DRAWING	
ITEM REVISION NAME		100550BA/04	
DATASET FILE NAME		100550BA_DC_C10158/04D	
UNLESS OTHERWISE SPECIFIED, DIMENSIONAL TOLERANCES ARE: IN [mm]		MATERIAL:	
.x ± .1 [ 2.54 ] .xx ± .05 [ 1.27 ]		RED NYLON	
.xxx ± .025 [ .635 ] ANGLES ± 5 °		DRAWING NUMBER:	
THIRD ANGLE PROJECTION		C10158	
DRAWN BY	DATE	CHK	SCALE
RVU	11/25/03	DWY	NTS
SHT 1 OF 1			SIZE
			A

D10100DA/16