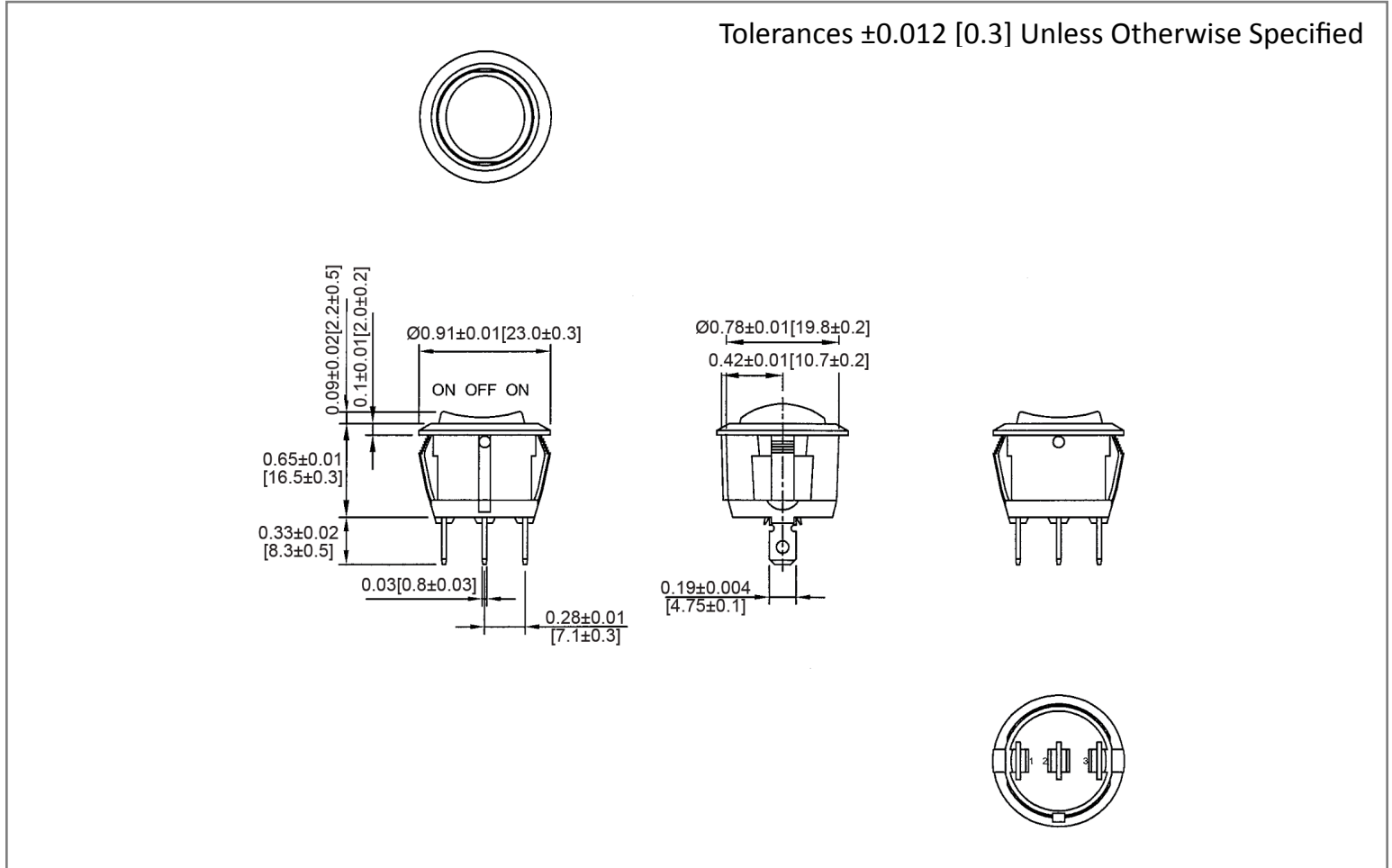
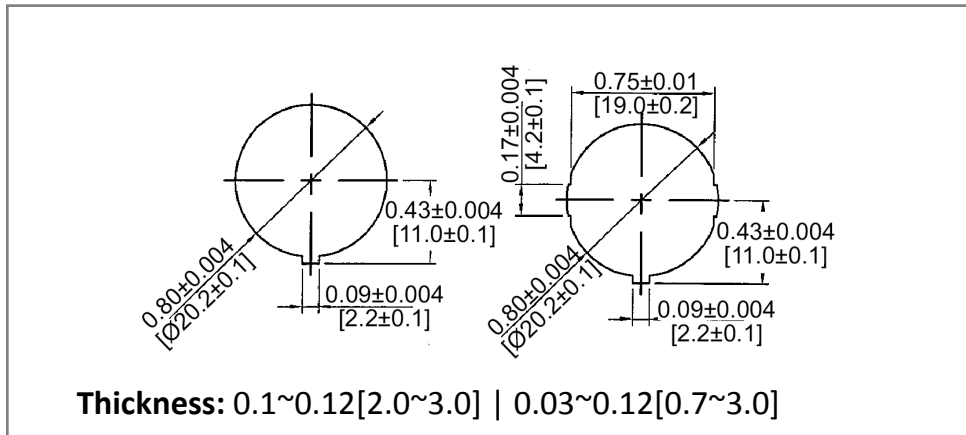


**Mechanical Dimensions: Inches [mm]**

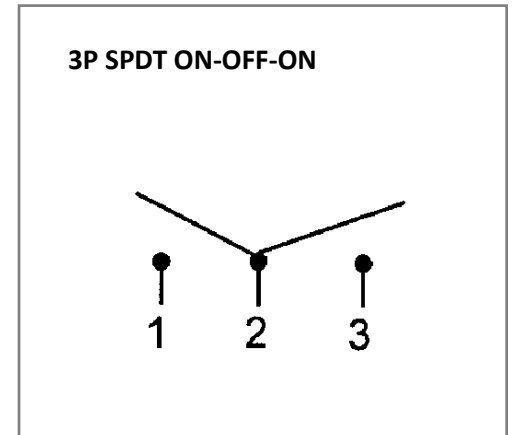
Tolerances  $\pm 0.012$  [0.3] Unless Otherwise Specified



**Mounting Hole**



**Circuit Diagram**



**Electrical Specifications**

Rating	20A 14V DC, 10A 28V DC
Contact Resistance	50m ohm Max
Insulation Resistance	DC 500V 100M ohm Min
Dielectric Strength	AC 1500V 1 minute
Operation Temperature	-25°C~85°C

**Material Specifications**

Frame	Black, Nylon 66
Actuator	Black, Nylon 66
Terminals	Copper Alloy, Silver Plated

Rev	Date of issue	Revision Notes	Designed	Approved
B	06-08-2021	Initial Drawing	RC	OF