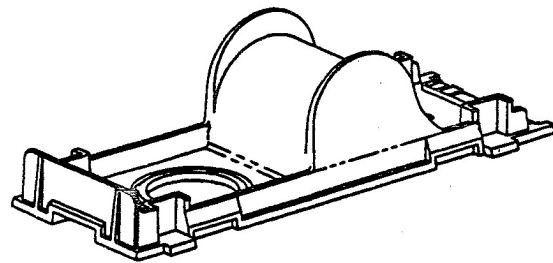
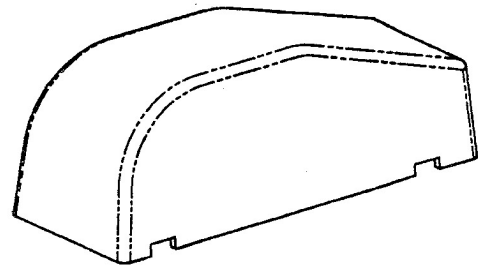
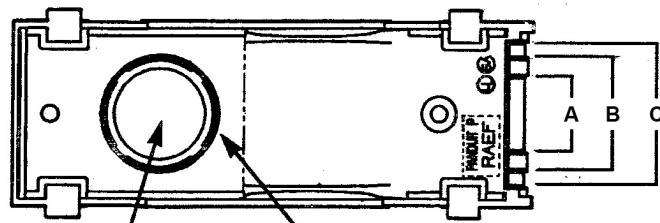


G

Part Number: RAEFX

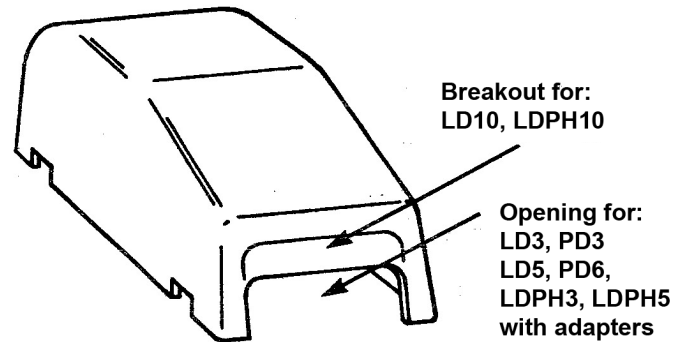


Low voltage or power applications up to 600V



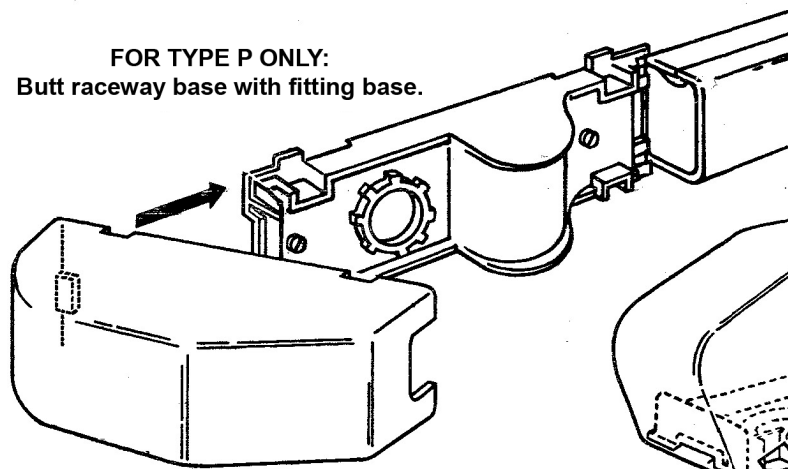
1/2" conduit opening 3/4" conduit breakout

Raceway Breakout	Used with PAN-WAY™ Raceway	Adapters
A	LD3, LDPH3	CA3
A	PD3	BA3
B	LD5, LDPH5	CA5
B	PD6	BA6
C	LD10, LDPH10	N/A

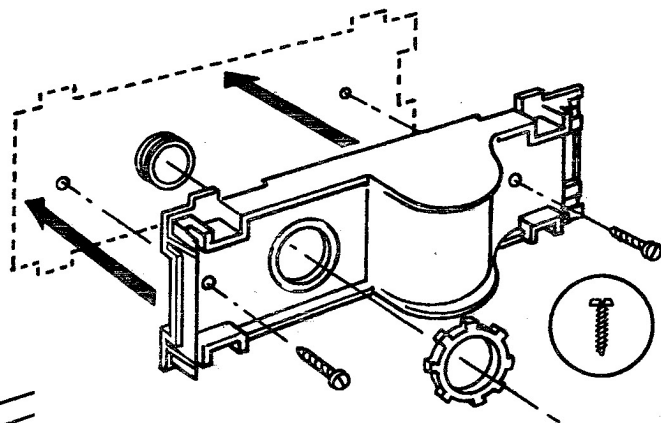


Breakout for: LD10, LDPH10

Opening for: LD3, PD3, LD5, PD6, LDPH3, LDPH5 with adapters



FOR TYPE P ONLY:
Butt raceway base with fitting base.



For Instructions in Local Languages and Technical Support:
www.panduit.com/resources/install_maintain.asp

PANDUIT
www.panduit.com

E-mail: cs@panduit.com
 Fax: (815) 836-0394

PANDUIT

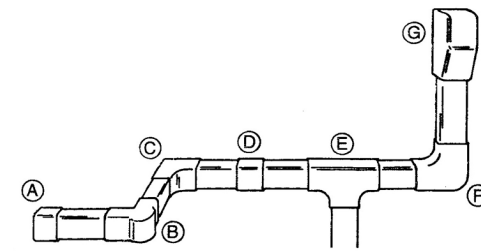
PAN-WAY SURFACE RACEWAY
TIA/EIA COMPLIANT FITTINGS



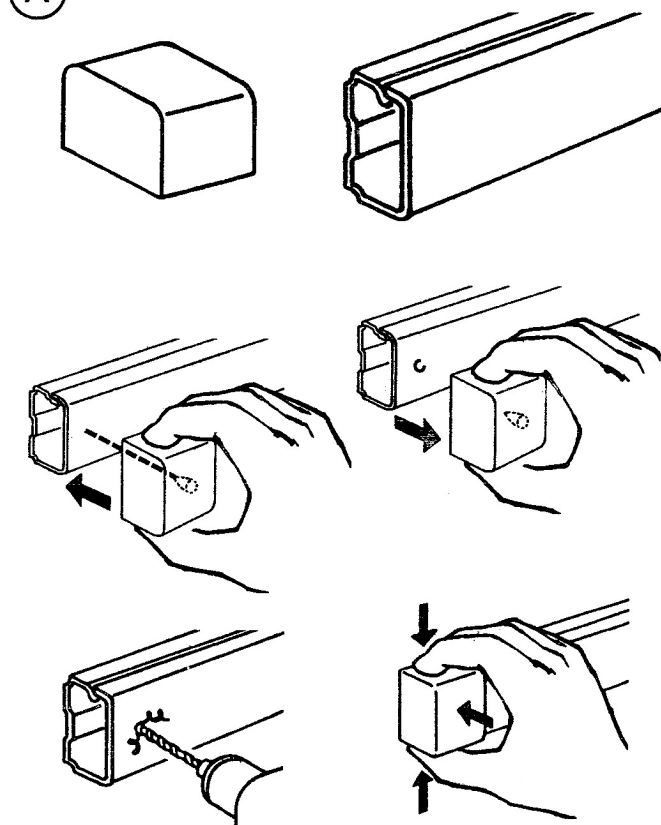
© Panduit Corp. 2011

INSTALLATION INSTRUCTIONS

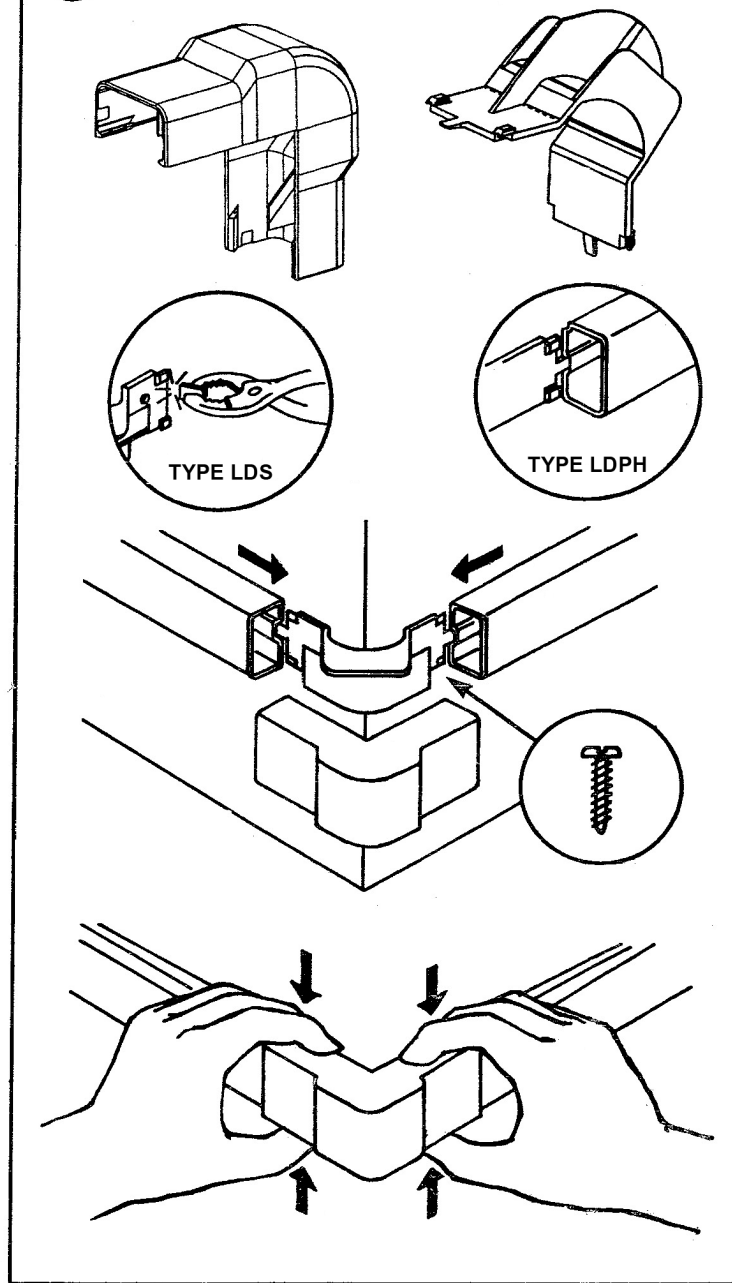
PN26



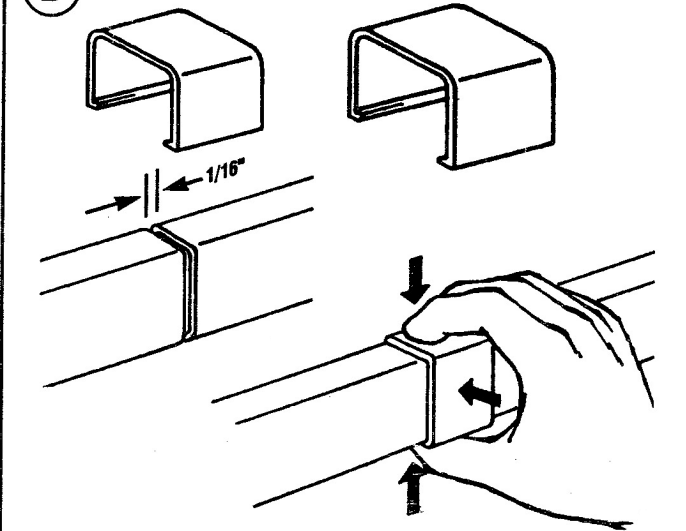
A Part Numbers: ECFX3, ECFX5, ECFX10



B Part Numbers: OCFX3, OCFX5, OCFX10



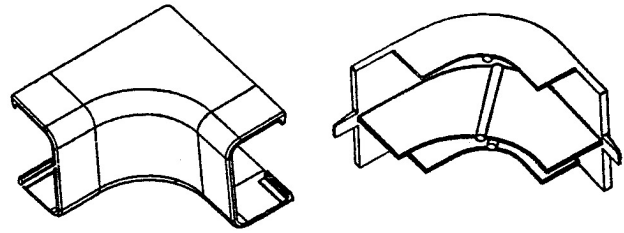
D Part Numbers: CFX3, CFX5, CFX10



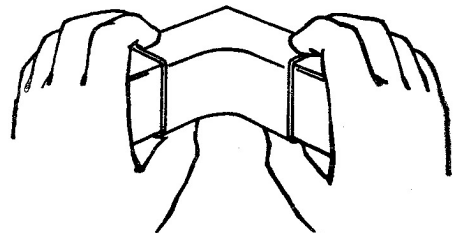
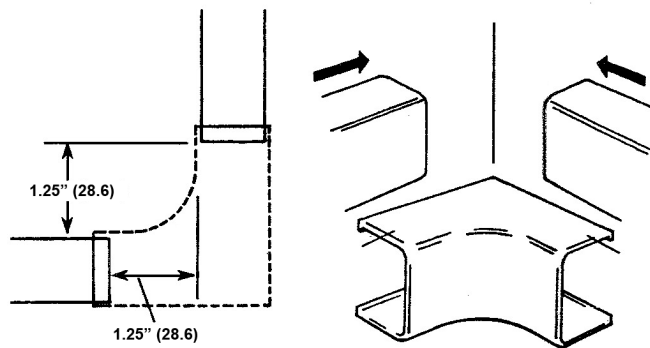
A, B, D

Low voltage or power applications up to 600V

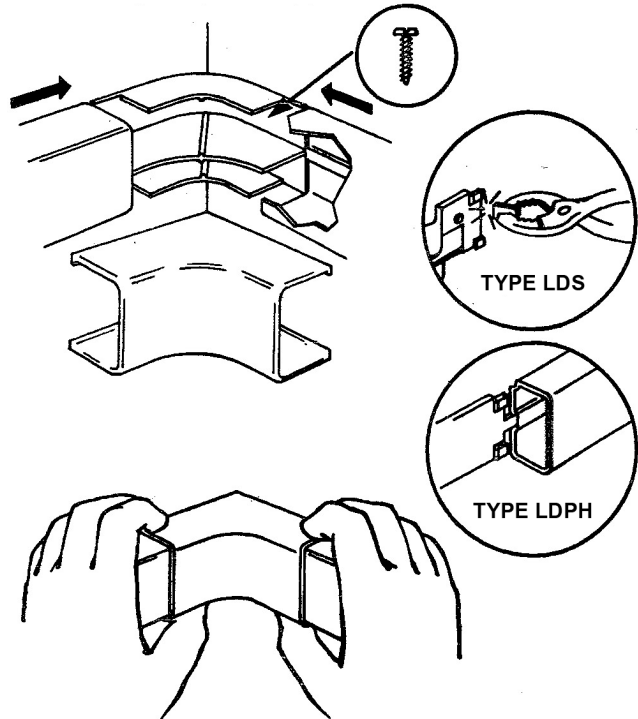
C Part Numbers: ICFC3, ICFC5, ICFC10
 Part Numbers: ICFX3, ICFX5, ICFX10



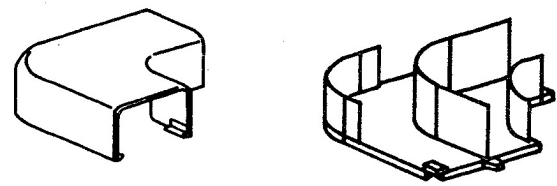
Low voltage applications (Cover only)



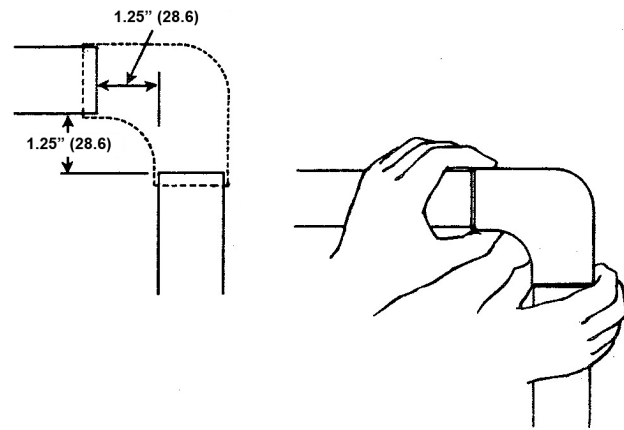
Low voltage or power applications up to 600V



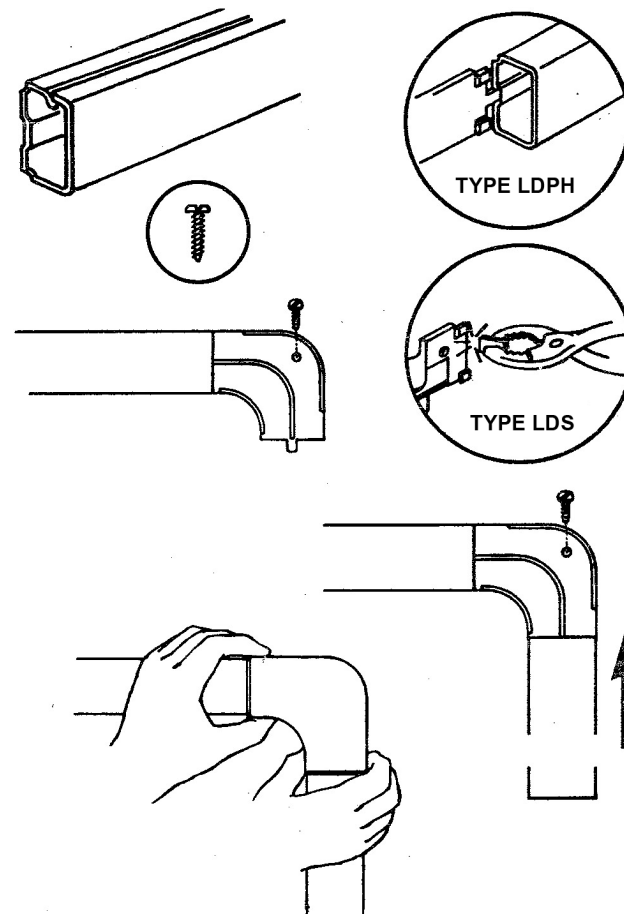
F Part Numbers: RAFC3, RAFC5, RAFC10
 Part Numbers: RAFX3, RAFX5, RAFX10



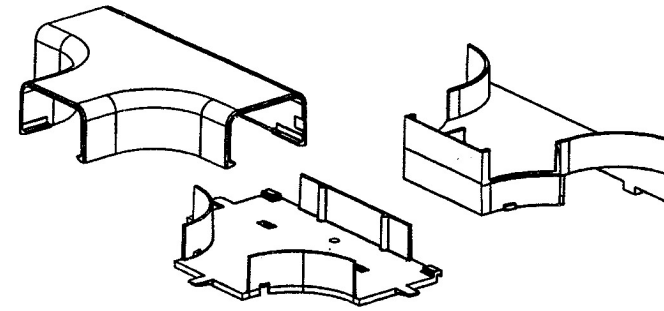
Low voltage applications (Cover only)



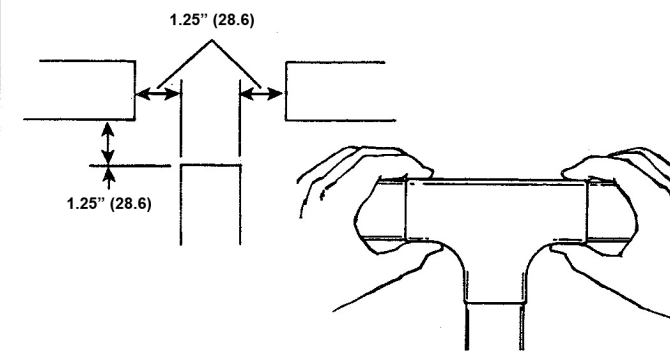
Low voltage or power applications up to 600V



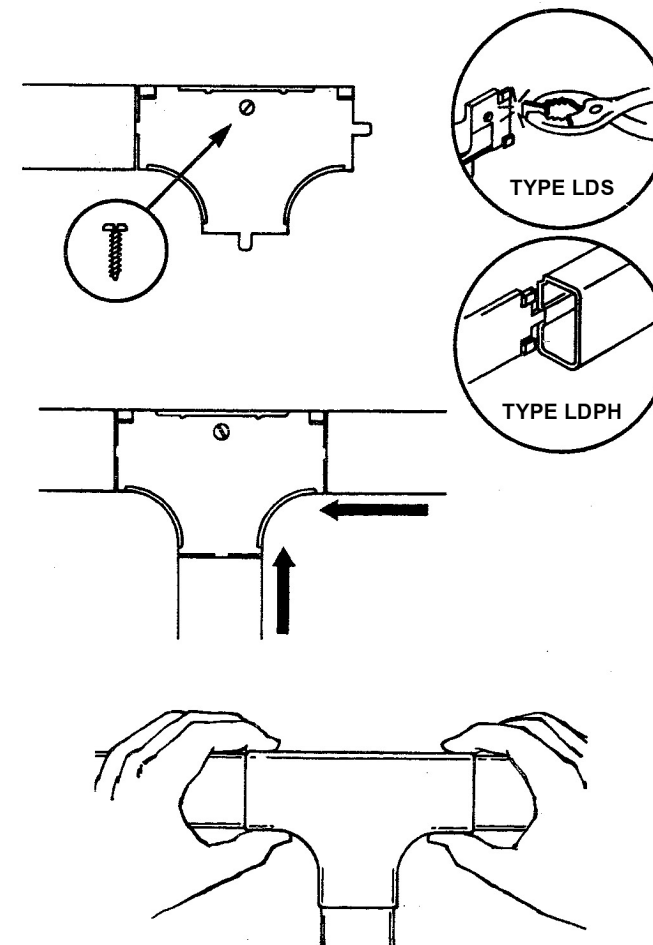
E Part Numbers: TFC3, TFC5, TFC10
 TFX3, TFX5, TFX10, TFXD10



Low voltage applications (Cover only)



Low voltage or power applications up to 600V



Low voltage or power applications up to 600V

