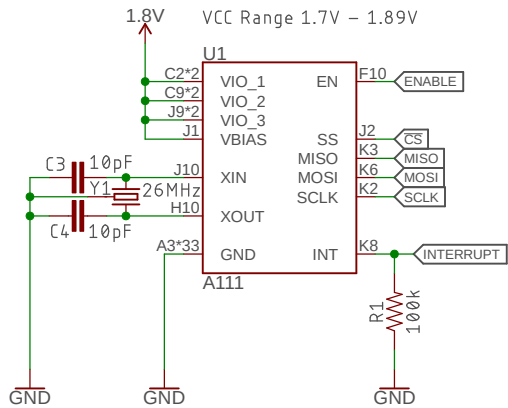
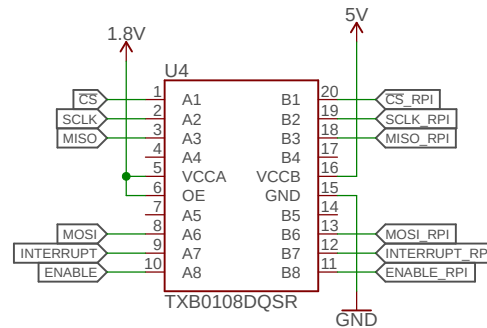


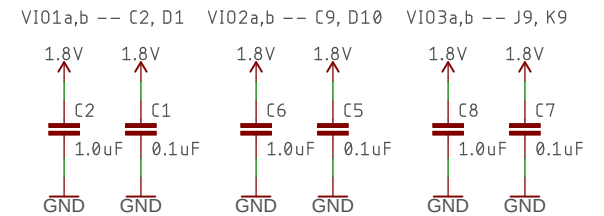
### Pulsed Radar – A111



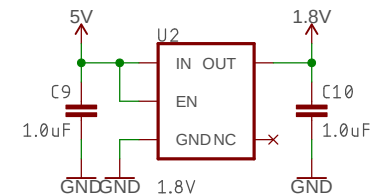
### Logic Level Translator



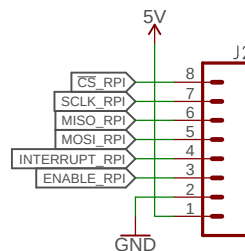
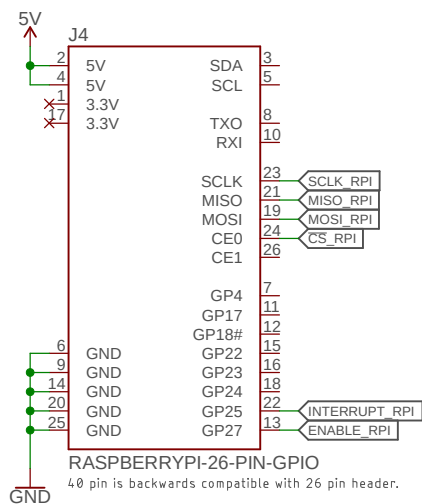
### Decoupling Capacitors



### Voltage Regulator



### Raspberry Pi and 8-Pin Header



**sparkfun**

**open hardware**

Released under the Creative Commons Attribution Share-Alike 4.0 License <https://creativecommons.org/licenses/by-sa/4.0/>

TITLE: A111\_Pulsed\_Radar\_Breakout

Design by: Jim Lindblom  
Revised By: Elias Santistevan

REV:  
v10

Date: 9/24/2019 3:00 PM

Sheet: 1/1