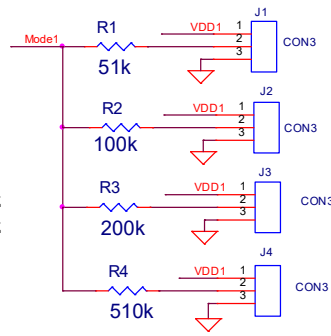


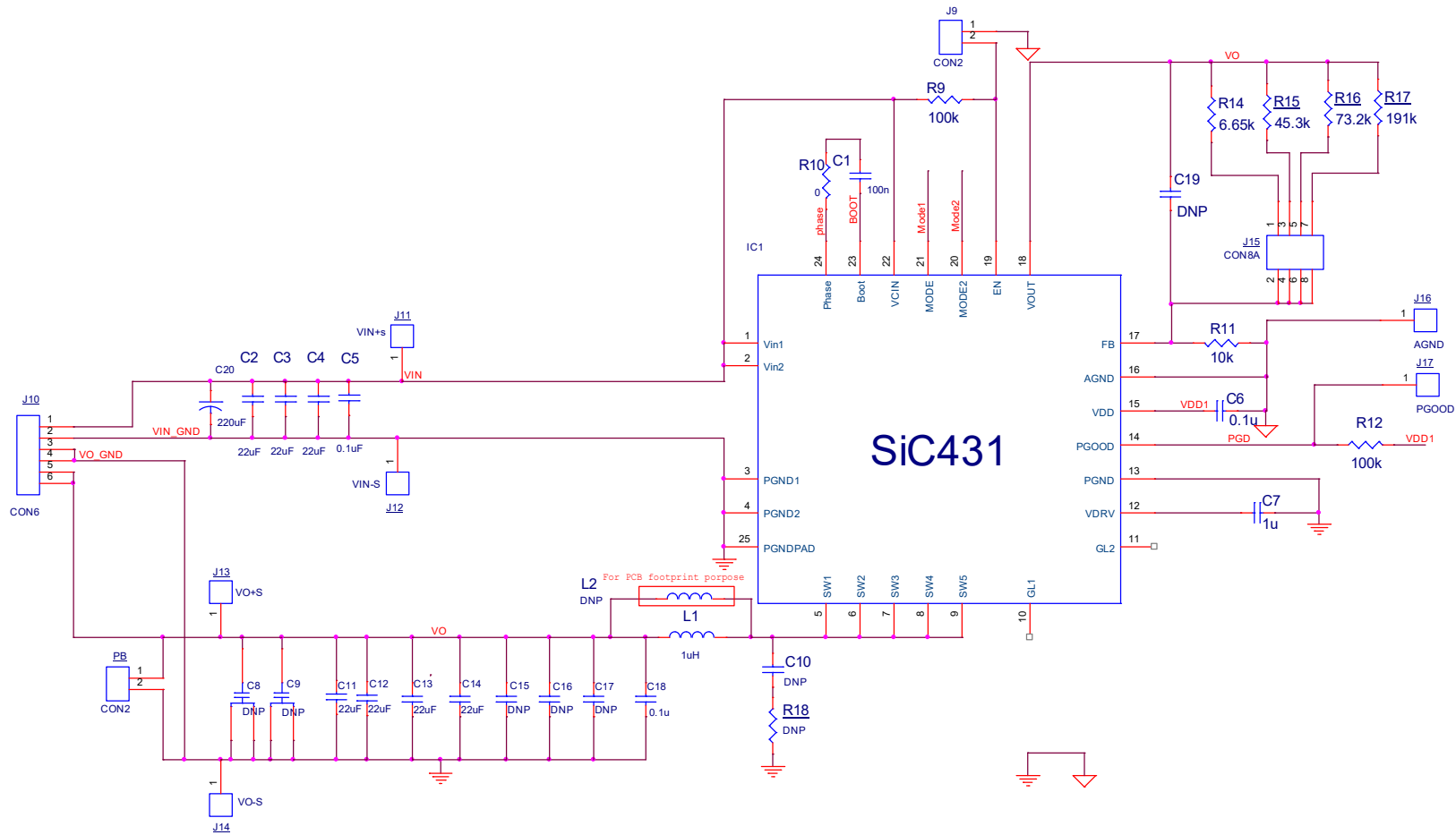
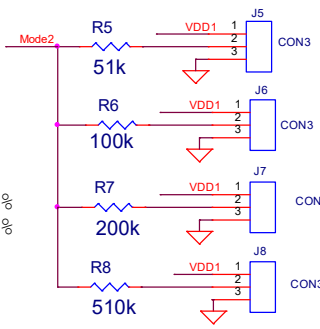
Mode 1 selection

- 51k To VDD: FCCM , 300kHz
- 51k To GND: PSM , 300kHz
- 100k To VDD: FCCM , 500kHz
- 100k To GND: PSM , 500kHz
- 200k To VDD: FCCM , 750kHz
- 200k To GND: PSM , 750kHz
- 510k To VDD: FCCM , 1000kHz
- 510k To GND: PSM , 1000kHz



Mode 2 selection

- 51k To VDD: SS=6ms, Ilim=25%
- 51k To GND: SS=3ms, Ilim=25%
- 100k To VDD: SS=6ms, Ilim=50%
- 100k To GND: SS=3ms, Ilim=50%
- 200k To VDD: SS=6ms, Ilim=75%
- 200k To GND: SS=3ms, Ilim=75%
- 510k To VDD: SS=6ms, Ilim=100%
- 510k To GND: SS=3ms, Ilim=100%



title		
SiC431 Demo Board		
Size	Document Number	Rev
Custom=Doc>		D
Date:	Tuesday, April 14, 2020	Sheet 1 of 1