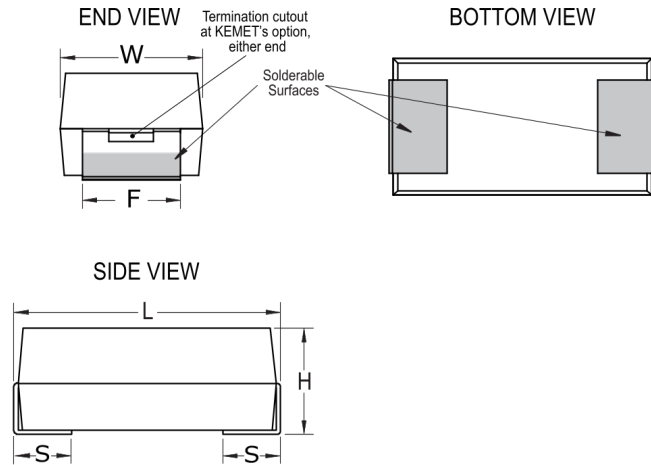


T493C476K010CB6420

Aliases (DLA Drawing 07016-041KCBC)

T493 HRA, Tantalum, MnO₂ Tantalum, HRA, 47 uF, 10%, 10 VDC, SMD, MnO₂, Molded, DLA Drawing, C (0.01%/1000 Hrs), 300 mOhms, 6032, Height Max = 2.8mm



Click [here](#) for the 3D model.

Dimensions	
Footprint	6032
L	6mm +/-0.3mm
W	3.2mm +/-0.3mm
H	2.5mm +/-0.3mm
S	1.3mm +/-0.3mm
F	2.2mm +/-0.1mm

Packaging Specifications	
Packaging	T&R, 178mm
Packaging Quantity	500

General Information	
Series	T493 HRA
Dielectric	MnO ₂ Tantalum
Style	SMD Chip
Description	SMD, MnO ₂ , Molded, DLA Drawing
RoHS	Yes
Termination	Gold
AEC-Q200	No
Component Weight	224.2 mg

Specifications	
Capacitance	47 uF
Capacitance Tolerance	10%
Voltage DC	10 VDC (85C), 6.7 VDC (125C)
Temperature Range	-55/+125°C
Rated Temperature	85°C
Dissipation Factor	6% 120Hz 25C
Failure Rate	C (0.01%/1000 Hrs)
Resistance	0.3 Ohms (100kHz 25C)
Ripple Current	742 mA (rms, 100kHz 25C)
Leakage Current	4.7 uA (5min 25°C)
Testing and Reliability	10 Cycles Surge Current Testing At -55C And +85C Before Weibull