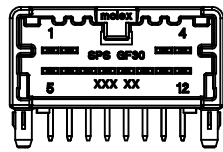
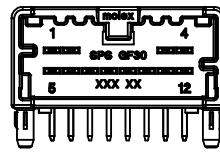


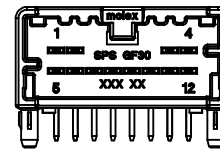
12 CIRCUIT RIGHT ANGLE HEADER  
POLARIZATION OPTION A



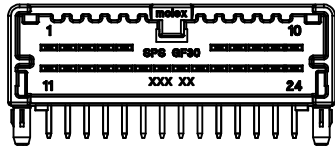
12 CIRCUIT RIGHT ANGLE HEADER  
POLARIZATION OPTION B



12 CIRCUIT RIGHT ANGLE HEADER  
POLARIZATION OPTION C

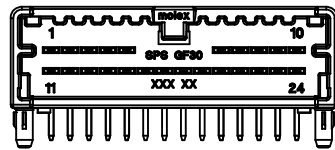


12 CIRCUIT RIGHT ANGLE HEADER  
POLARIZATION OPTION D



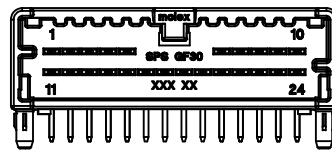
24 CIRCUIT RIGHT ANGLE HEADER  
POLARIZATION OPTION A

NOT TOOLED



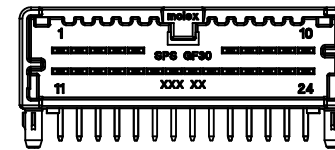
24 CIRCUIT RIGHT ANGLE HEADER  
POLARIZATION OPTION B

NOT TOOLED



24 CIRCUIT RIGHT ANGLE HEADER  
POLARIZATION OPTION C

NOT TOOLED



24 CIRCUIT RIGHT ANGLE HEADER  
POLARIZATION OPTION D

NOT TOOLED

MINISO RIGHT ANGLE HEADER ASSEMBLIES

MATERIAL NUMBER TRAY PACKAGING PK-31301-688	CIRCUIT	POL	COLOR	BLADE PLATING	MATING COMPONENT
34826-0120	12	A	BLACK	TIN OVER NICKEL	34824-0120
34826-0121	12	B	GRAY	TIN OVER NICKEL	34824-0121
34826-0122	12	C	BROWN	TIN OVER NICKEL	34824-0122
34826-0123	12	D	GREEN	TIN OVER NICKEL	34824-0123
34826-0240 - NOT TOOLED	24	A	BLACK	TIN OVER NICKEL	34824-0240 - NOT TOOLED
34826-0241 - NOT TOOLED	24	B	GRAY	TIN OVER NICKEL	34824-0241 - NOT TOOLED
34826-0242 - NOT TOOLED	24	C	BROWN	TIN OVER NICKEL	34824-0242 - NOT TOOLED
34826-0243 - NOT TOOLED	24	D	GREEN	TIN OVER NICKEL	34824-0243 - NOT TOOLED

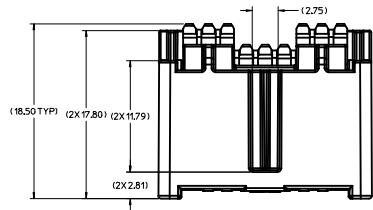
NOTES: VALID UNLESS OTHERWISE SPECIFIED

- GENERAL:
  - APPLICATION SPECIFICATION SEE: AS-34791-020
  - PRODUCT SPECIFICATION SEE: PS-34791-020
  - PACKAGING SPECIFICATION PER MOLEX DRAWING: PK-31301-688
  - SOLDERABILITY PER SMES-152
  - PARTS MUST BE IN COMPLIANCE TO MOLEX CHEMICAL SUBSTANCES FOR PRODUCTS AND PACKAGING SPECIFICATION: OHS-699000-300
  - DATA MUST BE SUBMITTED UNDER THE MOLEX PART NUMBER TO IMDS (COMPANY ID#13255)
  - FLAMMABILITY REQUIREMENT: PER ISO3795 OR GM3191
  - VISUAL DEFECTS SHALL MEET COSMETIC STANDARD PS-45499-002 (Class B)
- DESIGN - MATERIALS:
  - SHROUD (PLASTIC HOUSING): SPS 30% GF, 20% REGRIND MAX PER WEIGHT
  - BLADES:
    - BASE METAL: C260 BRASS
    - PLATING REQUIREMENTS:
      - TIN OVER NICKEL:
      - UNDERPLATING:
      - OVERALL NICKEL
      - OVERPLATING:
      - OVERALL TIN
- DESIGN - GEOMETRY:
  - THIS IS A 100% CAD GENERATED PART, THE CAD MATHEMATICAL DATA IS THE MASTER FOR THIS PART, FOR DIMENSIONAL OR ANY INFORMATION NOT SHOWN ON THIS DRAWING, ANALYZE THE CAD MODEL.
  - GEOMETRIC DIMENSIONS AND TOLERANCES PER ASME Y14.5M - 1994
  - GENERAL TOLERANCES: SEE TITLE BLOCK
  - EDGES AND UNDIMENSIONED DETAILS PER ISO13715
  - CORNERS SHOWN AS SHARP TO BE R.01 MAX
  - LETTERING SHALL BE 0.30 MAX RAISED, THIS INCLUDES RECYCLING CODE, PLANT AND CAVITY ID, VENDOR ID, AND CIRCUIT ID.

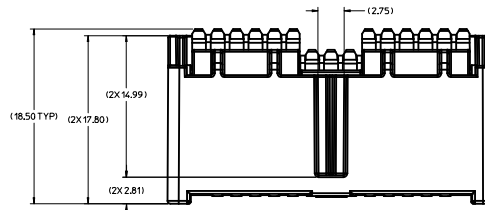
LAST BALLOON ON DRAWING:  
①  
DELETED BALLOONS:

INITIAL RELEASE EC NO. 0402010-1023 DRAWN BY: TUCUCU 2011/02/24 CHECKED BY: TMACHUGA 2011/02/25 APPROVED BY: SHARCEAU 2011/05/18 REV	QUALITY SYMBOLS	GENERAL TOLERANCES (UNLESS SPECIFIED)	DIMENSION STYLE	SCALE	DESIGN UNITS	THIRD ANGLE PROJECTION
	▽=0	mm INCH	MM ONLY	5:1	METRIC	☉
	▽=0	4 PLACES ± --- ± ---	DRAWN BY DATE	TUCUCU 2011/02/24	TITLE	MINISO DUAL ROW RIGHT ANGLE ASSEMBLY SALES DRAWING
	▽=0	3 PLACES ± --- ± ---	CHECKED BY DATE	TMACHUGA 2011/02/25	APPROVED BY DATE	SHARCEAU 2011/05/18
	1 PLACE ± 0.20 ± ---	ANGULAR ± 3 °	MATERIAL NO.	DOCUMENT NO.	MOLEX INCORPORATED	
		DRAFT WHERE APPLICABLE MUST REMAIN WITHIN DIMENSIONS	SEE TABLE	SD-34826-000	SHEET NO. 1 OF 2	
			THIS DRAWING CONTAINS INFORMATION THAT IS PROPRIETARY TO MOLEX INCORPORATED AND SHOULD NOT BE USED WITHOUT WRITTEN PERMISSION			

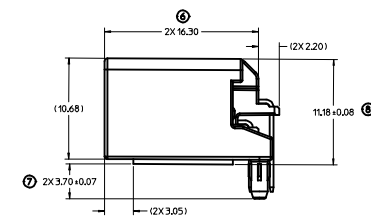
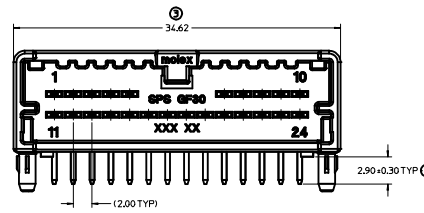
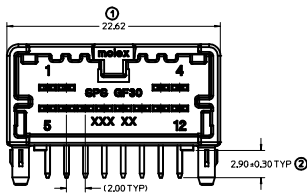
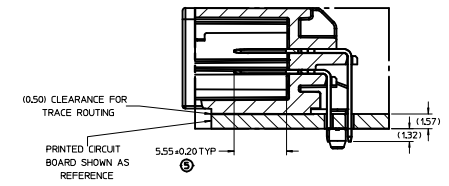
12 CIRCUIT RIGHT ANGLE HEADER



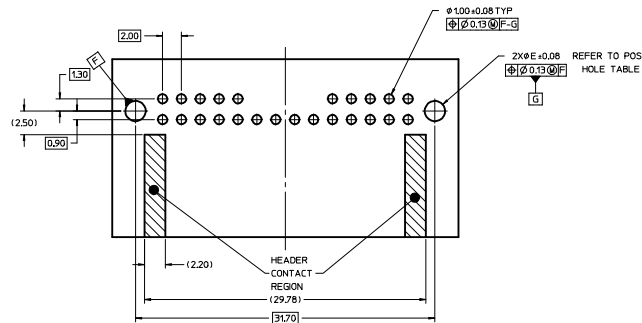
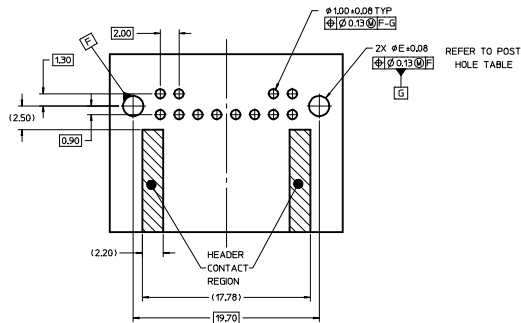
24 CIRCUIT RIGHT ANGLE HEADER



HEADER TO PCB FLUSH MOUNT



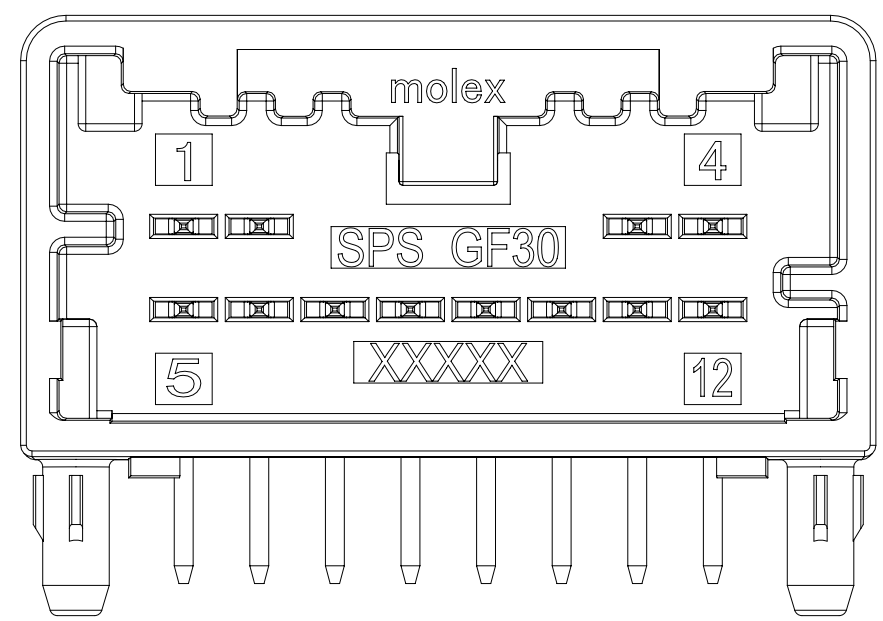
PCB LAYOUT  
CONNECTOR MATE SIDE



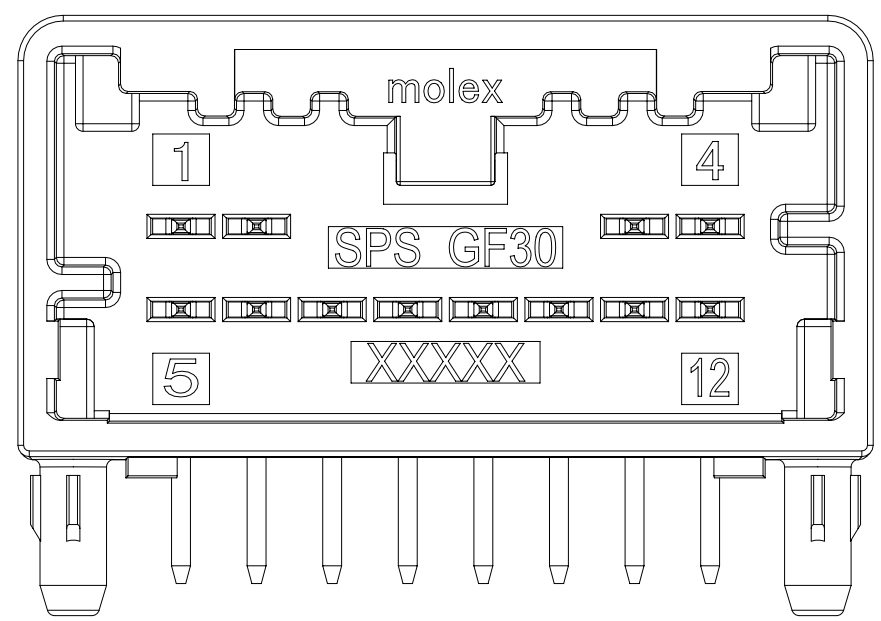
POST HOLE TABLE

	DIM E'
PRESS FIT	2.15
DROP IN	2.55

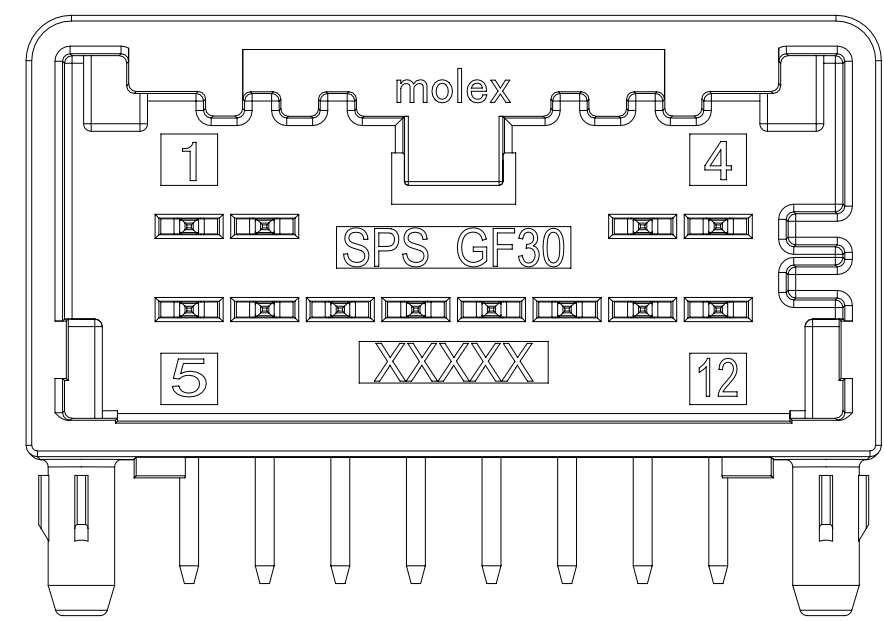
<b>INITIAL RELEASE</b> EC NO. UAD02011-1023 DRAWN/DCU 2011/02/24 CHECKED/TCUCU 2011/02/24 APPR/SHARCEAU 2011/05/18	QUALITY SYMBOLS	GENERAL TOLERANCES (UNLESS SPECIFIED)	DIMENSION STYLE	SCALE	DESIGN UNITS	THIRD ANGLE PROJECTION
	▽=0	mm INCH	MM ONLY	5:1	METRIC	
	▽=0	4 PLACES ± --- ± ---	1/CUCU 2011/02/24	TITLE	MINI50 DUAL ROW RIGHT ANGLE ASSEMBLY SALES DRAWING	
	▽=0	3 PLACES ± --- ± ---	CHECKED BY DATE		MOLEX INCORPORATED	
	2 PLACES ± 0.10 ± ---	1/TMACHUGA 2011/02/25	APPROVED BY DATE			
	1 PLACE ± 0.20 ± ---	1/SHARCEAU 2011/05/18	MATERIAL NO.	DOCUMENT NO.		
	ANGULAR ± 3°		SEE TABLE	SD-34826-000		SHEET NO. 2 OF 2
DRAFT WHERE APPLICABLE MUST REMAIN WITHIN DIMENSIONS THIS DRAWING CONTAINS INFORMATION THAT IS PROPRIETARY TO MOLEX INCORPORATED AND SHOULD NOT BE USED WITHOUT WRITTEN PERMISSION						



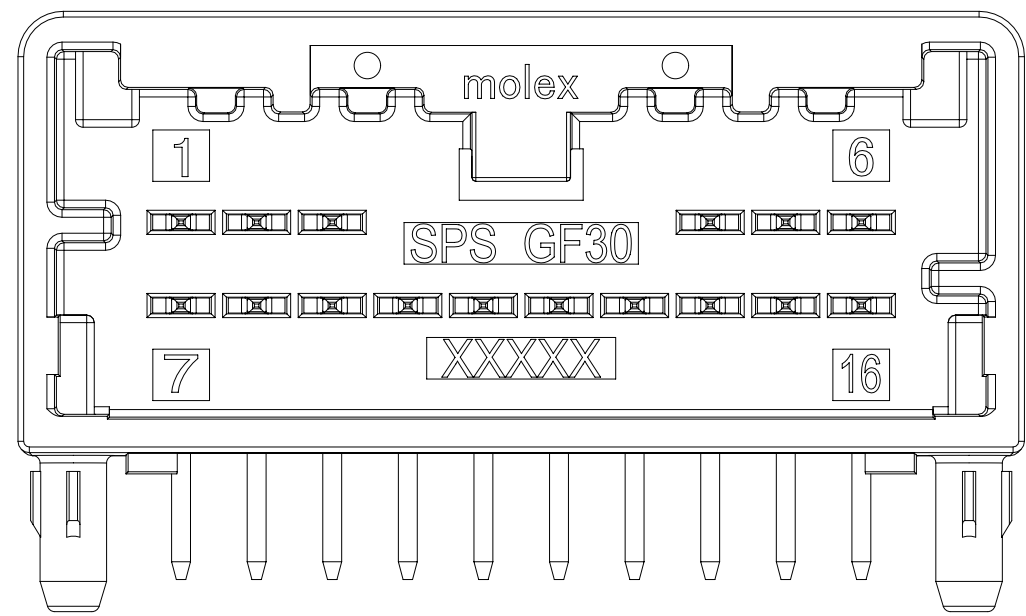
12CKT POLARIZATION A



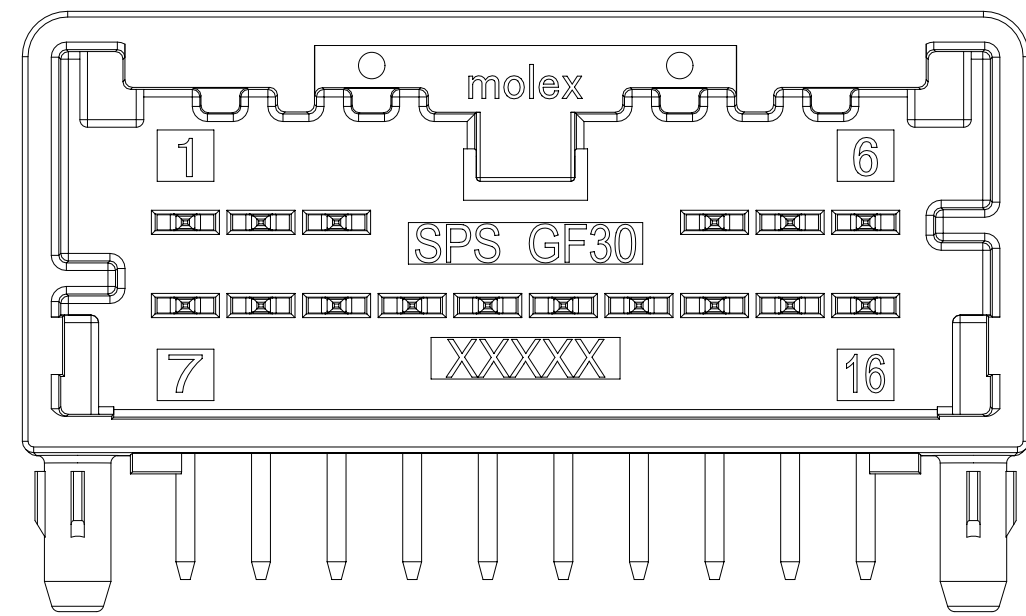
12CKT POLARIZATION B



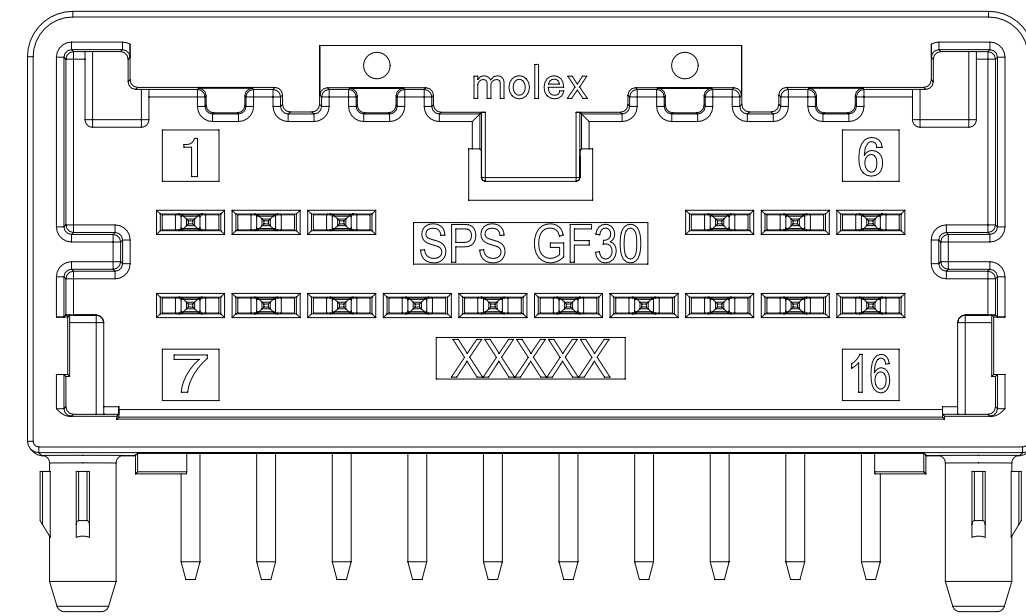
12CKT POLARIZATION C



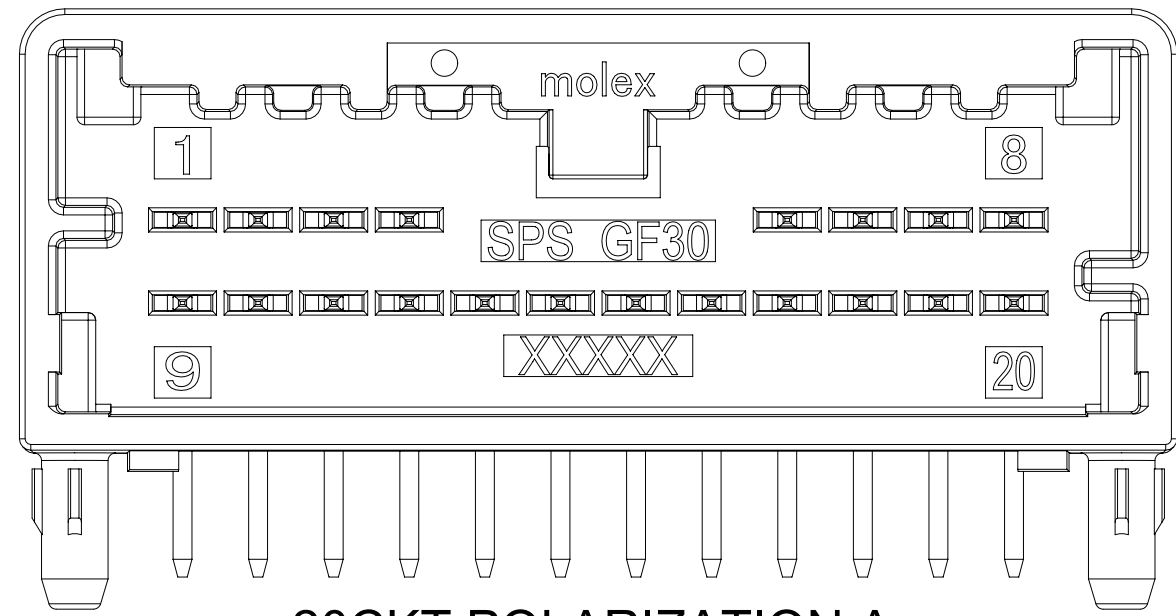
16CKT POLARIZATION A



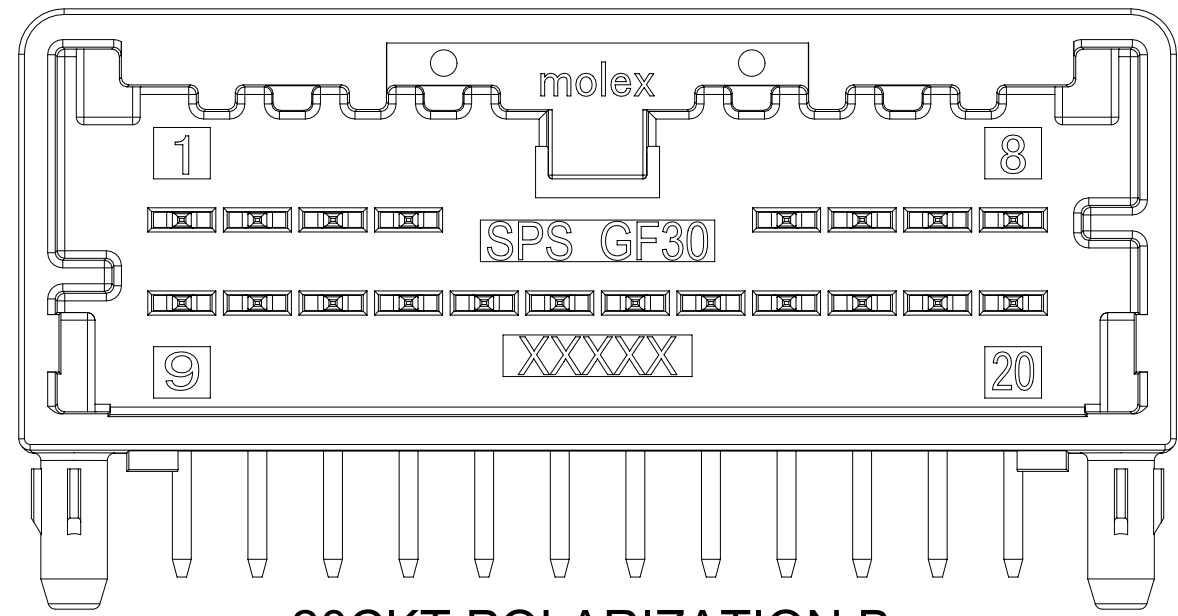
16CKT POLARIZATION B



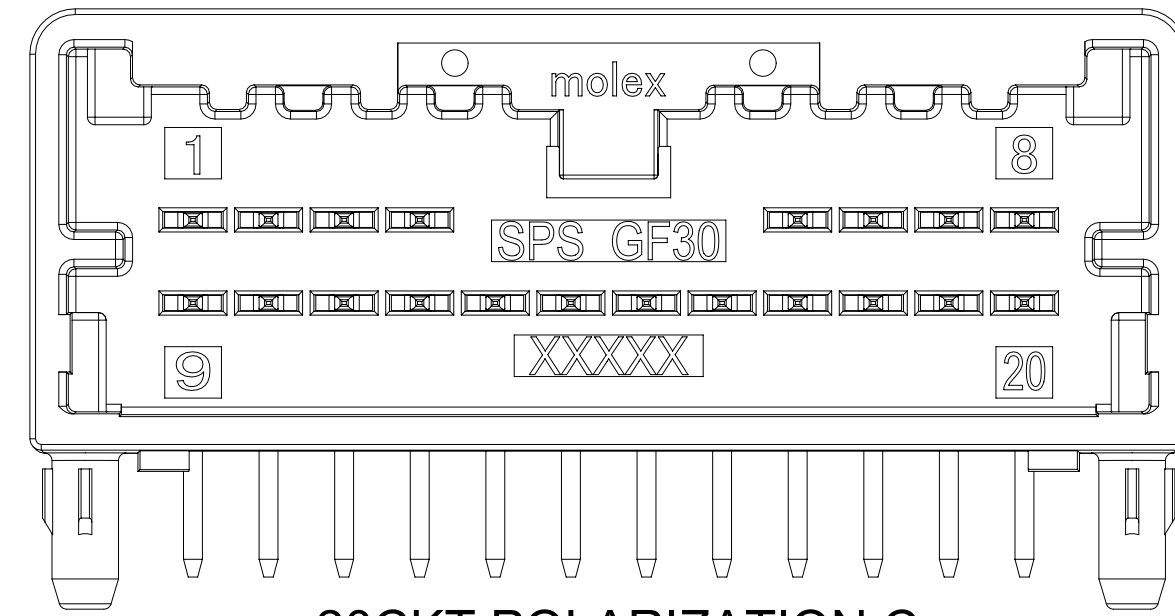
16CKT POLARIZATION C



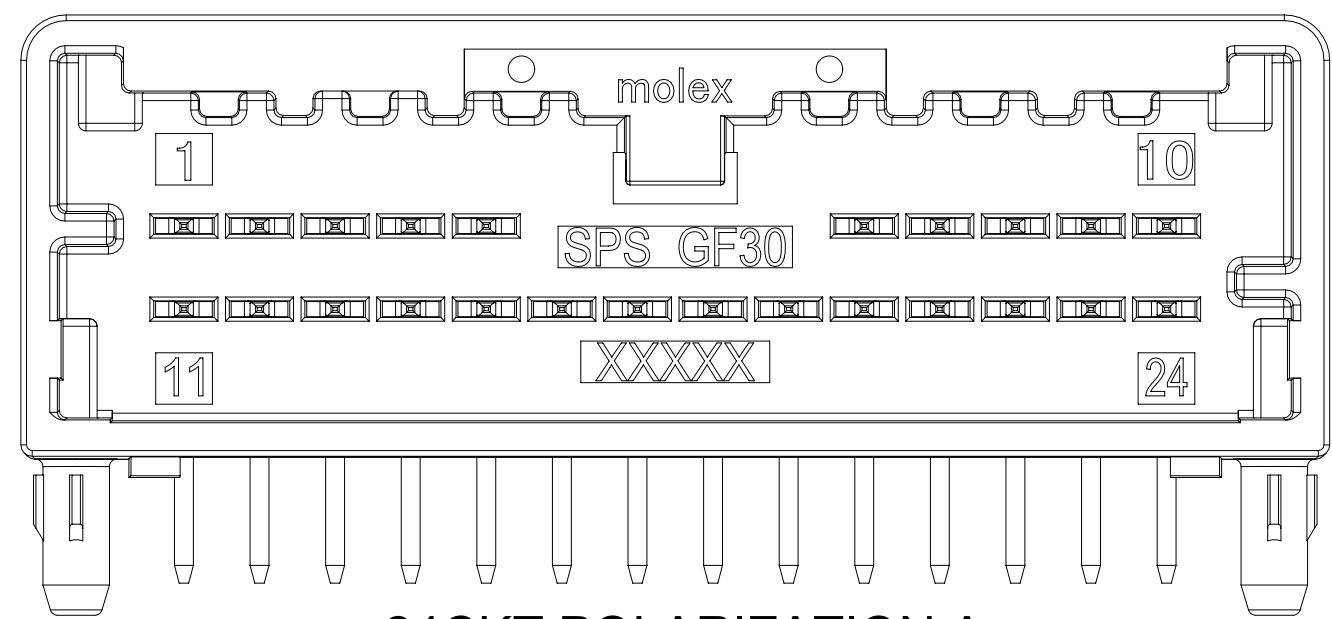
20CKT POLARIZATION A



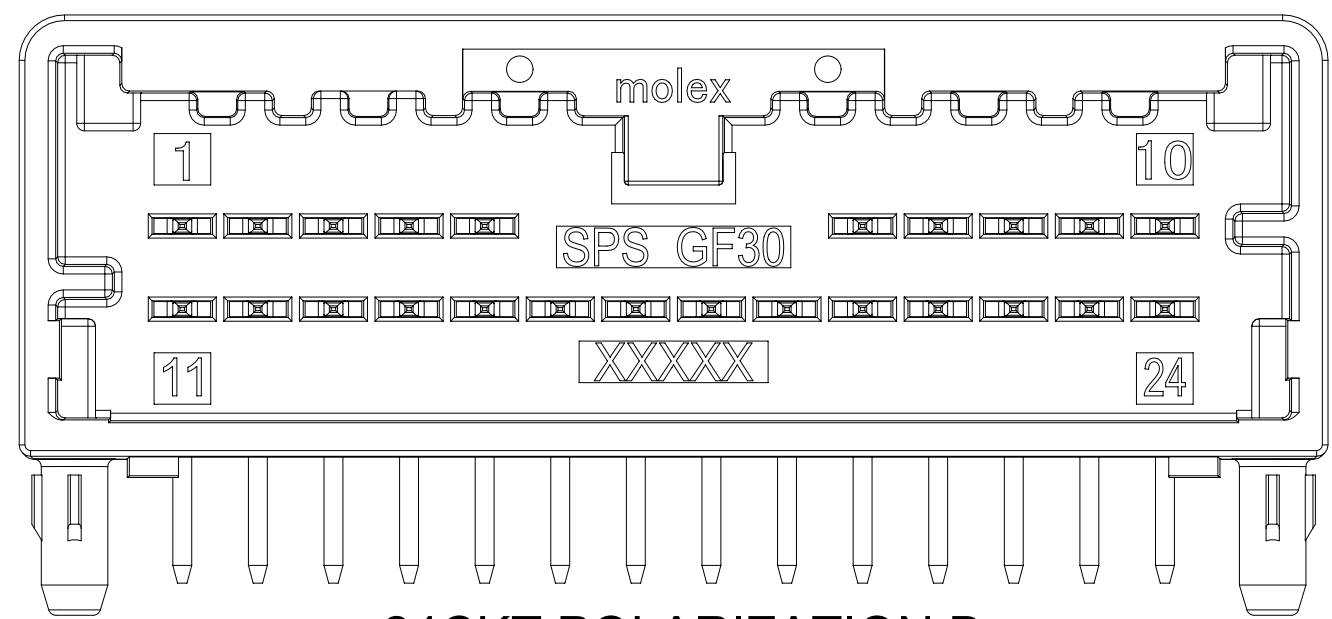
20CKT POLARIZATION B



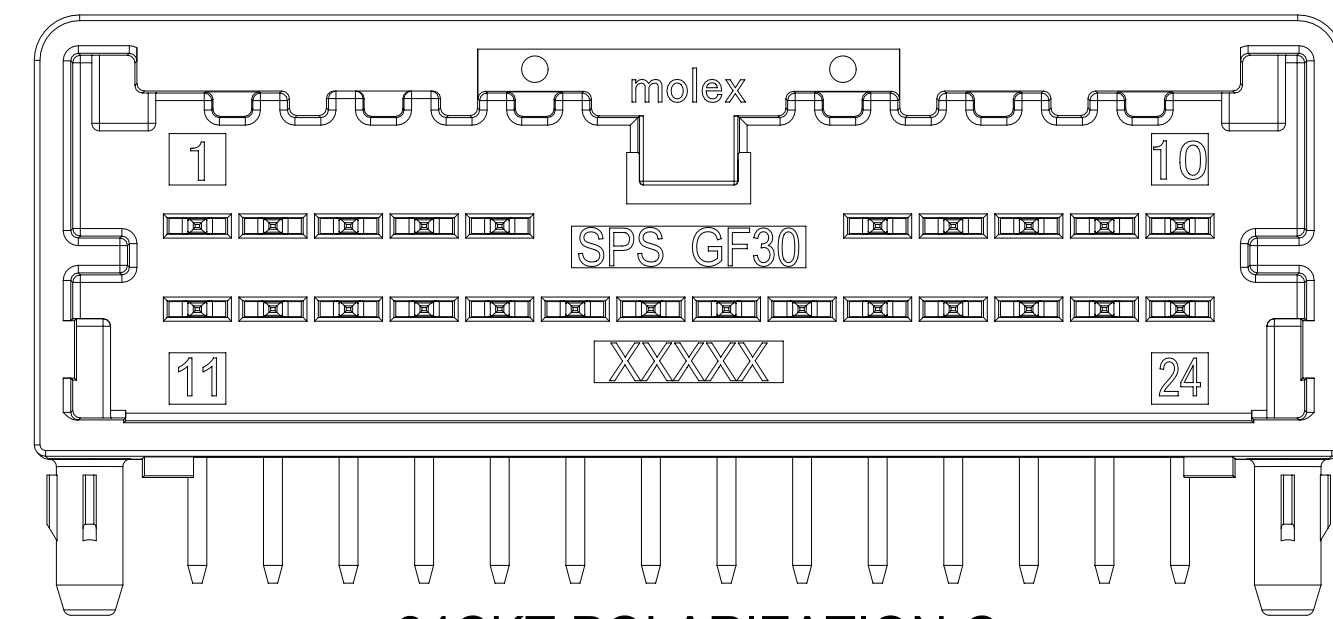
20CKT POLARIZATION C



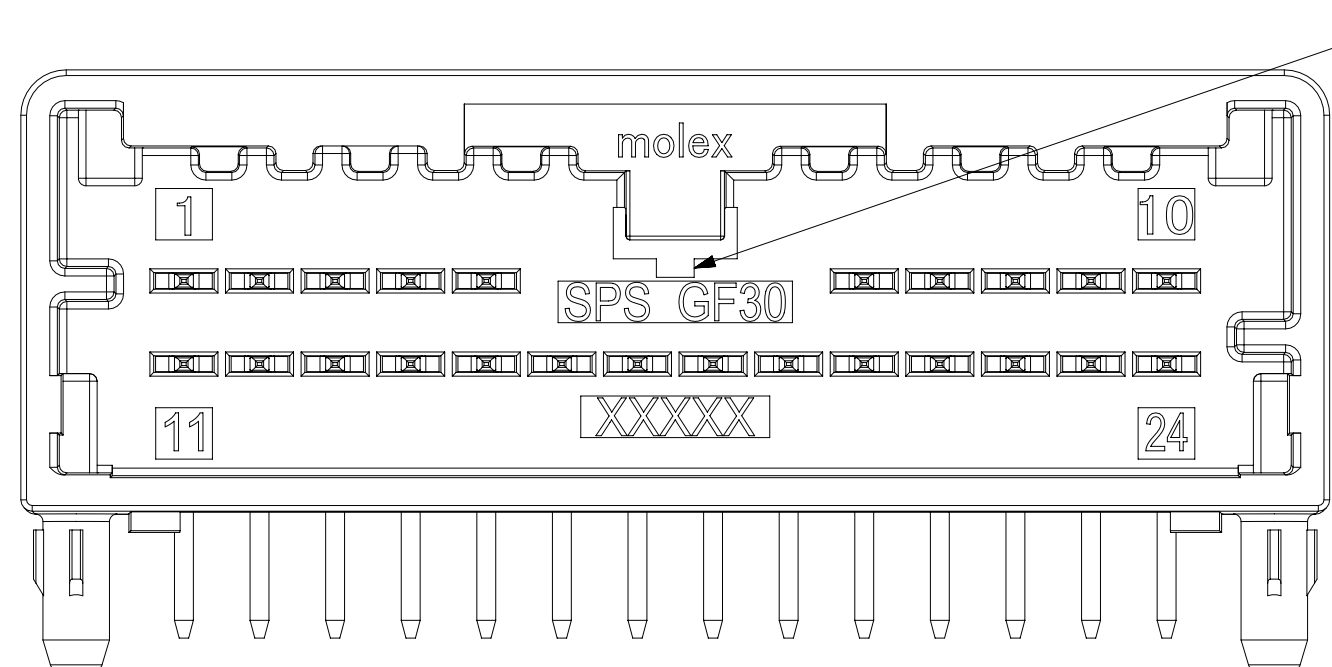
24CKT POLARIZATION A



24CKT POLARIZATION B



24CKT POLARIZATION C



V0 IDENTIFIER APPLIES FOR 12-24CKT

NOTES: VALID UNLESS OTHERWISE SPECIFIED

1. GENERAL:
  - a. APPLICATION SPECIFICATION SEE: AS-34791-020
  - b. PRODUCT SPECIFICATION SEE: PS-34791-020
  - c. PACKAGING SPECIFICATION PER MOLEX DRAWING: SEE CHART
  - d. SOLDERABILITY PER SMES-152
  - e. PARTS MUST BE IN COMPLIANCE TO MOLEX CHEMICAL SUBSTANCES FOR PRODUCTS AND PACKAGING SPECIFICATION: QEHS-699000-300
  - f. DATA MUST BE SUBMITTED UNDER THE MOLEX PART NUMBER TO IMDS (COMPANY ID#13255)
  - g. FLAMMABILITY REQUIREMENT: PER ISO3795 OR GM3191
  - h. VISUAL DEFECTS SHALL MEET COSMETIC STANDARD PS-45499-002 (Class B)

2. DESIGN - MATERIALS:
  - a. SHROUD (PLASTIC HOUSING): SPS 30% GF, 20% REGRIND MAX PER WEIGHT
  - b. BLADES:
    - BASE METAL: C260 BRASS
    - PLATING REQUIREMENTS:
      - TIN OVER NICKEL:
      - UNDERPLATING:
      - OVERALL NICKEL
      - OVERPLATING:
      - OVERALL TIN

3. DESIGN - GEOMETRY:
  - a. THIS IS A 100% CAD GENERATED PART. THE CAD MATHEMATICAL DATA IS THE MASTER FOR THIS PART. FOR DIMENSIONAL OR ANY INFORMATION NOT SHOWN ON THIS DRAWING, ANALYZE THE CAD MODEL.
  - b. GEOMETRIC DIMENSIONS AND TOLERANCES PER ASME Y14.5M - 2009
  - c. GENERAL TOLERANCES: SEE TITLE BLOCK
  - d. EDGES AND UNDIMENSIONED DETAILS PER ISO13715
  - e. CORNERS SHOWN AS SHARP TO BE R 0.1 MAX
  - f. LETTERING SHALL BE 0.10 MAX RAISED. THIS INCLUDES RECYCLING CODE, PLANT AND CAVITY ID, VENDOR ID, AND CIRCUIT ID.
  - g. USCAR INTERFACE:
    - 12 WAY: 050-U-012-2-ZXX
    - 16 WAY: 050-U-016-2-ZXX
    - 20 WAY: 050-U-020-2-ZXX
    - 24 WAY: 050-U-024-2-ZXX

H5	PAGE 4: BOM STATUS REMOVED - ALL PARTS ARE AVAILABLE ADDED MATING COMPONENT SD INFO
H4	VIEWS UPDATED, NO DIM OR GEOMETRY CHANGES
H3	PAGE 1: ADDED V0 VIEW PAGE 4: REMOVED PBT MATING COMPONENT PNs FROM BOM PAGE 5: REMOVED
H2	PAGE 2: ADDED DIMS 8A, 10A, 12A, 14A, 19A PAGE 4 & 5: ADDED V0 P/N
H1	PAGE 1: ADDED NOTE 3g
H	DRAWING REMASTED PAGE 2: CORRECTED DUPLICATE DIM 19 UPDATED DIM NUMBERING 19 & 20 TO 20 & 21 PAGE 4: ADDED 12CKT GREEN POL A TO P/N TABLE
G5	UPDATED VIEWS TO MATCH CURRENT PRODUCTION. DIMS AND GEOMETRY DID NOT CHANGE
REV	DESCRIPTION

INSPECTION BALLON NUMBER LOG  
PER DRAWING REVISION: H5  
  
LAST BALLON USED: 21  
  
ADDED BALLON NUMBERS: 8A,10A,12A,14A,19,19A,20,21  
REMOVED BALLON NUMBERS: 1, 2, 3, 4, 5

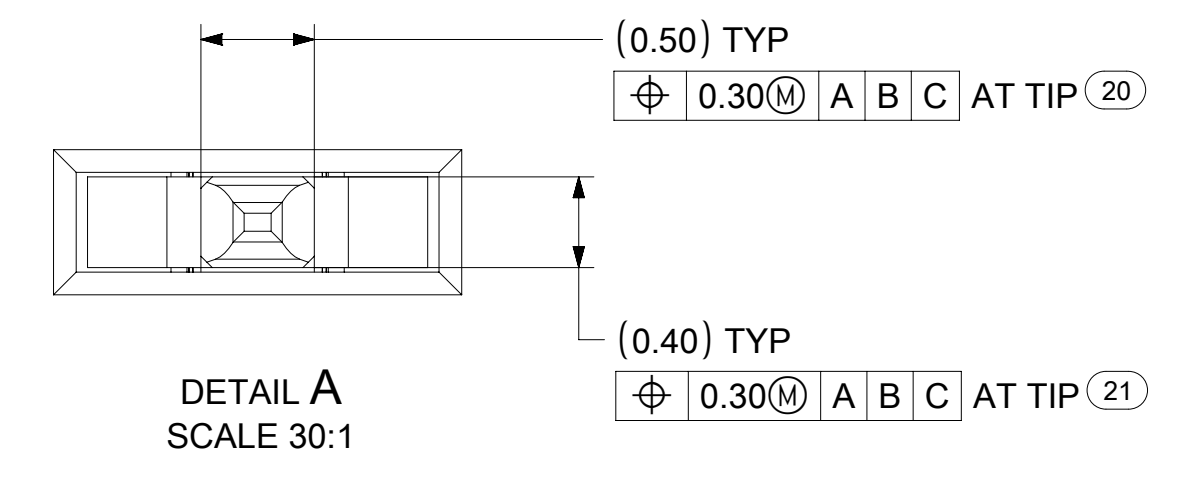
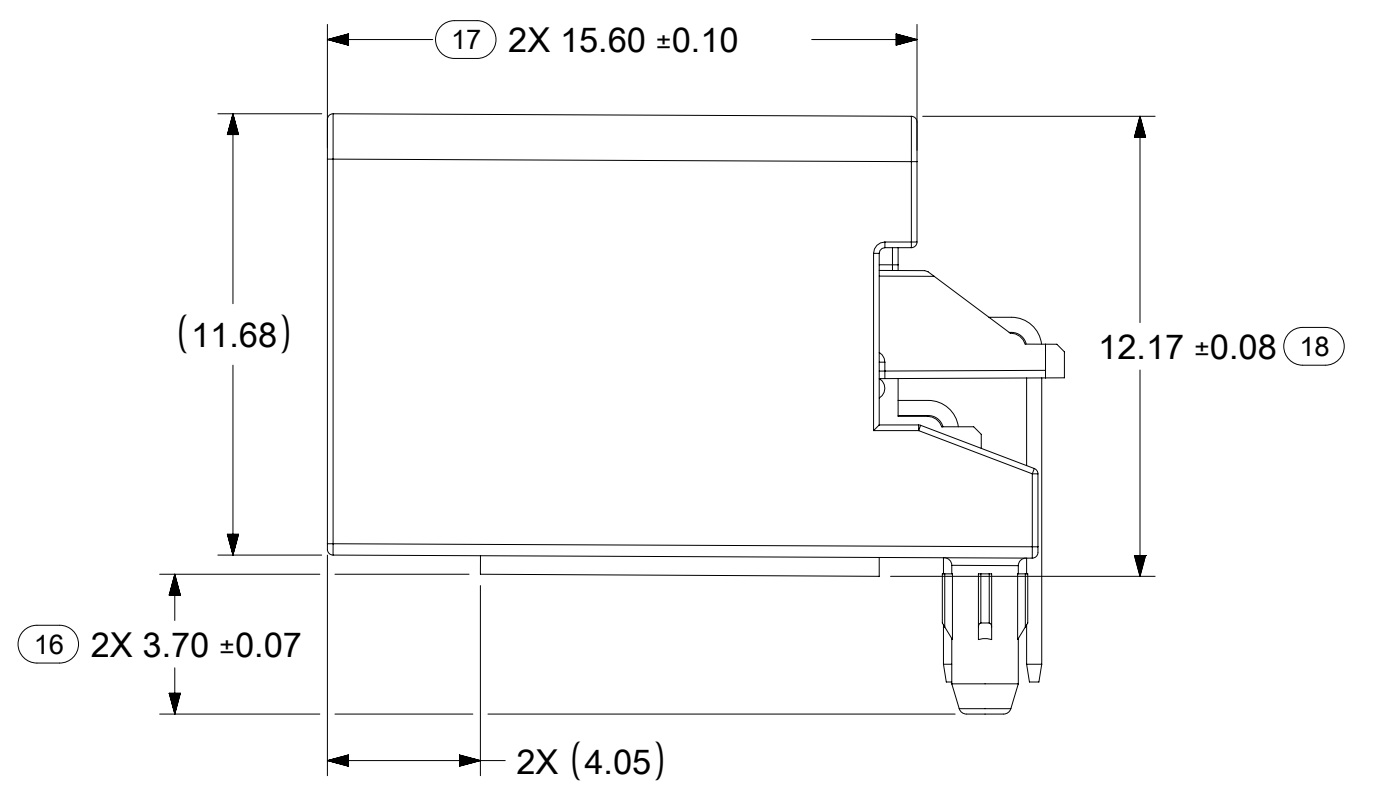
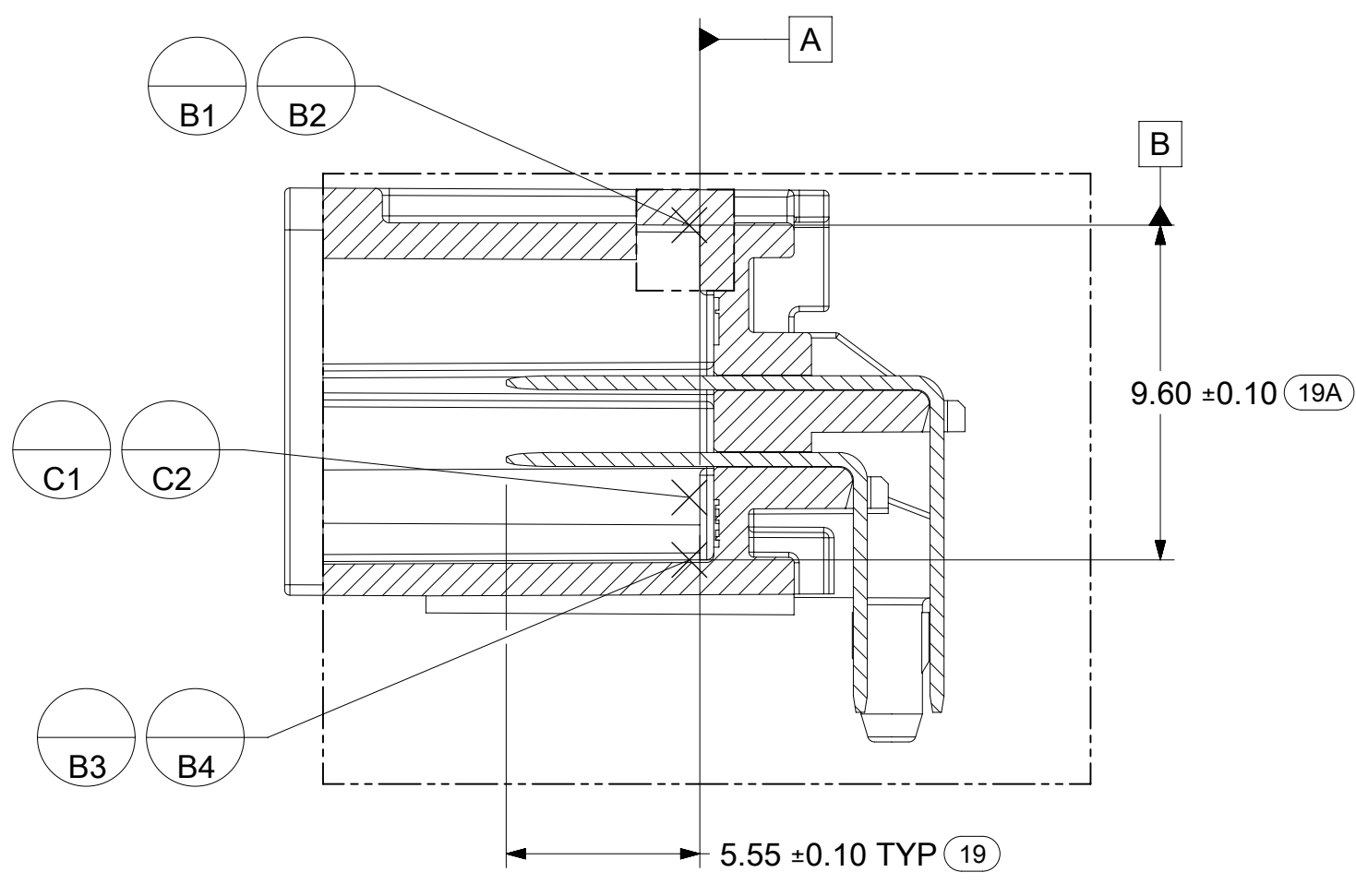
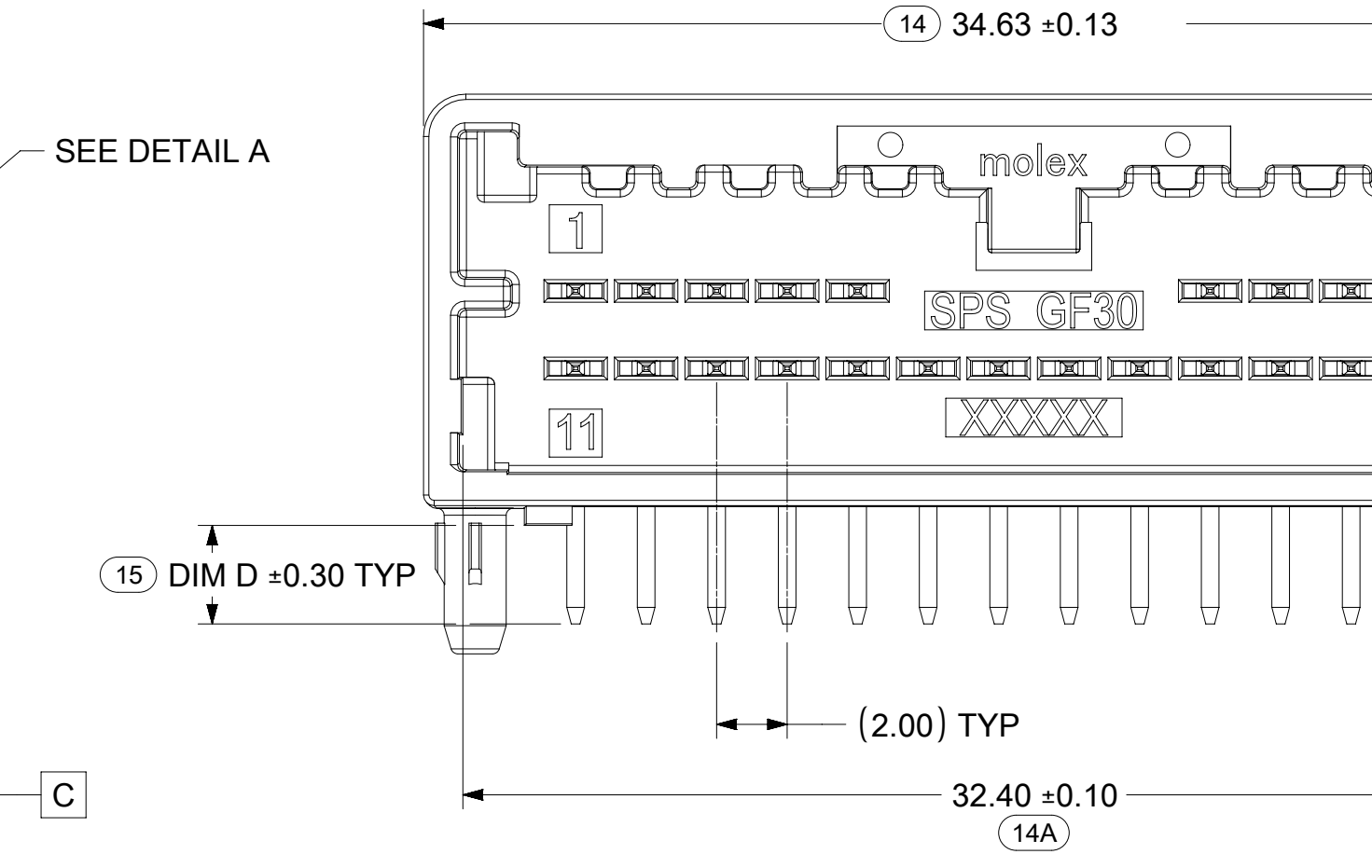
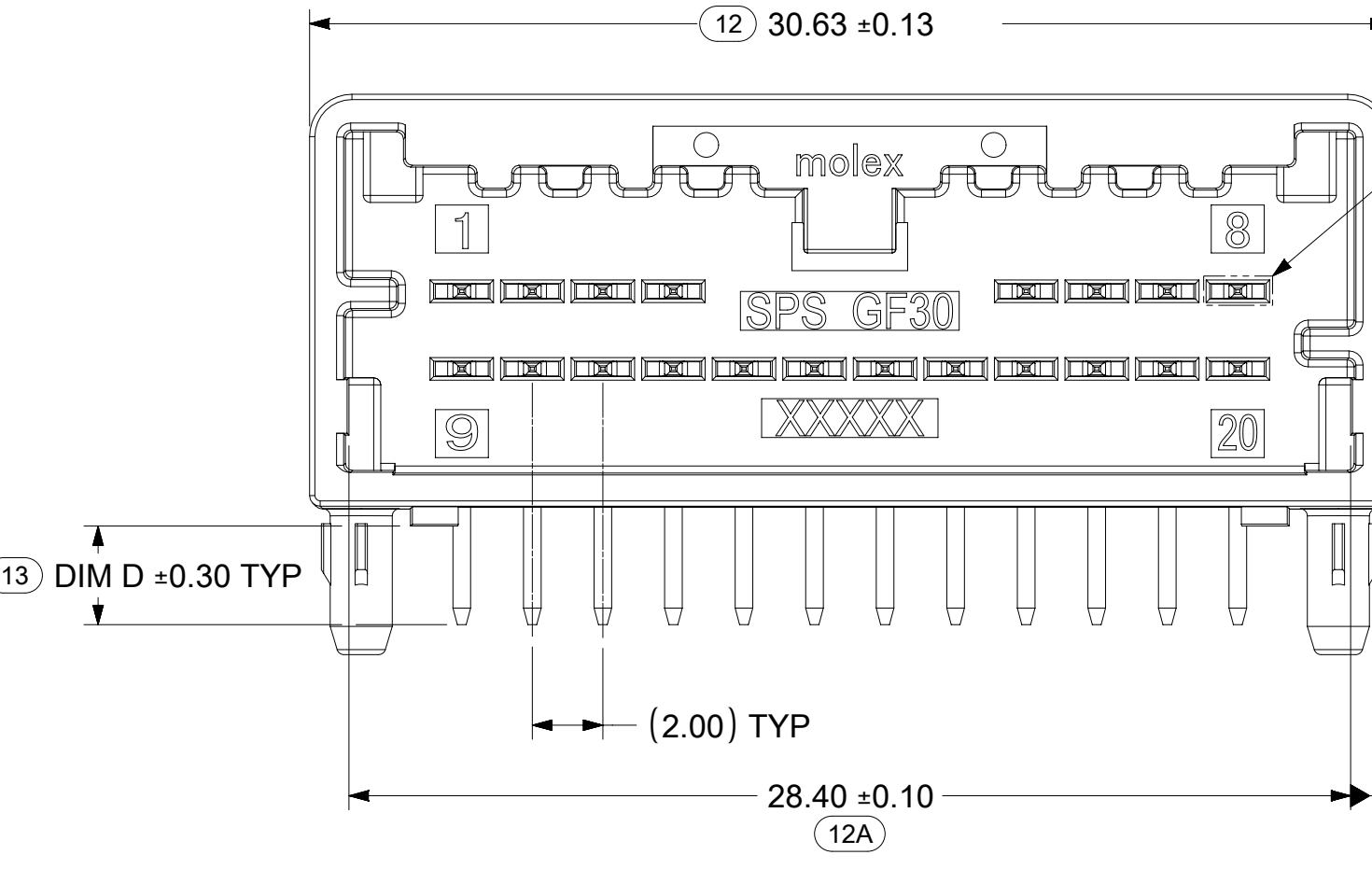
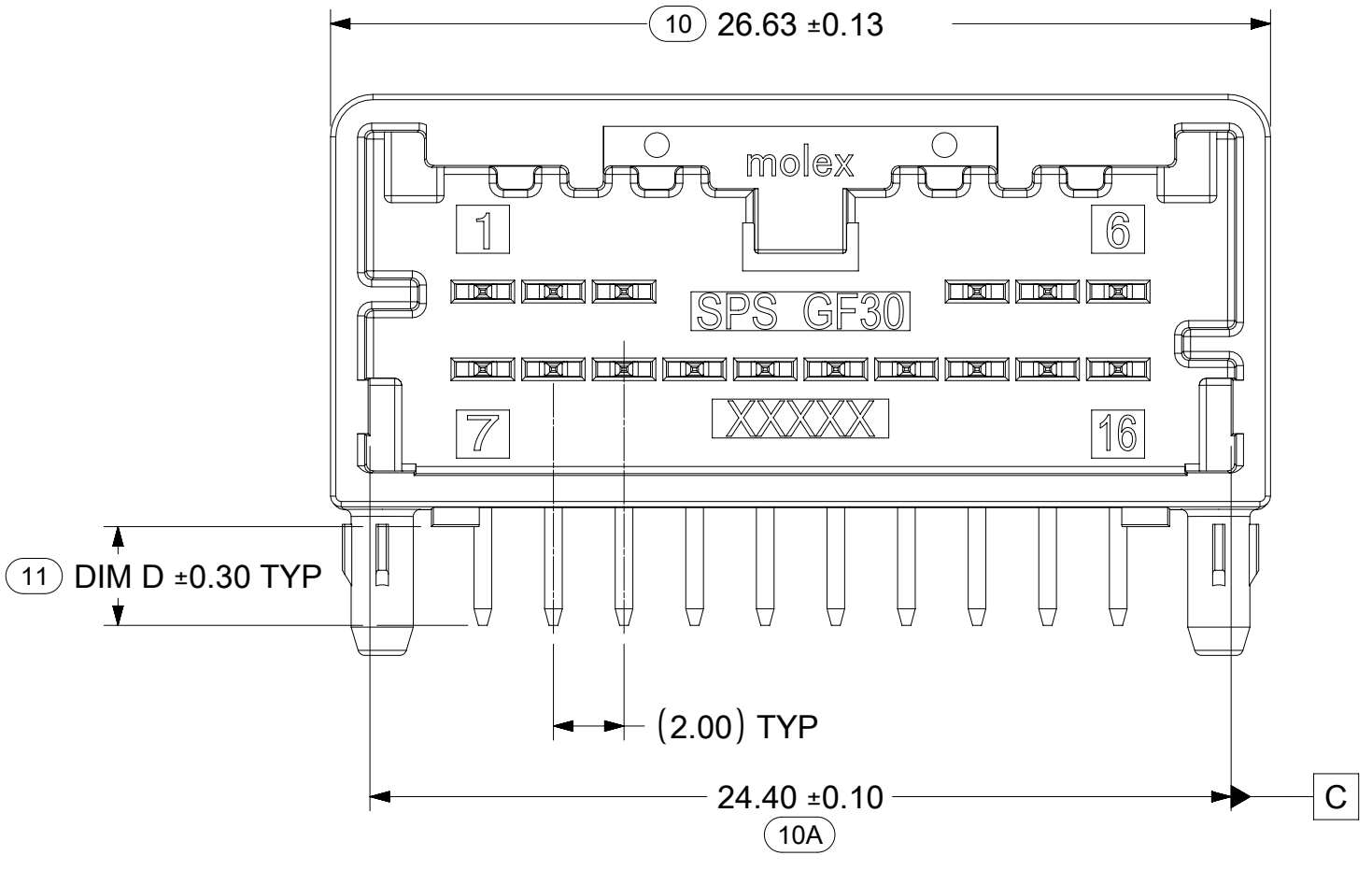
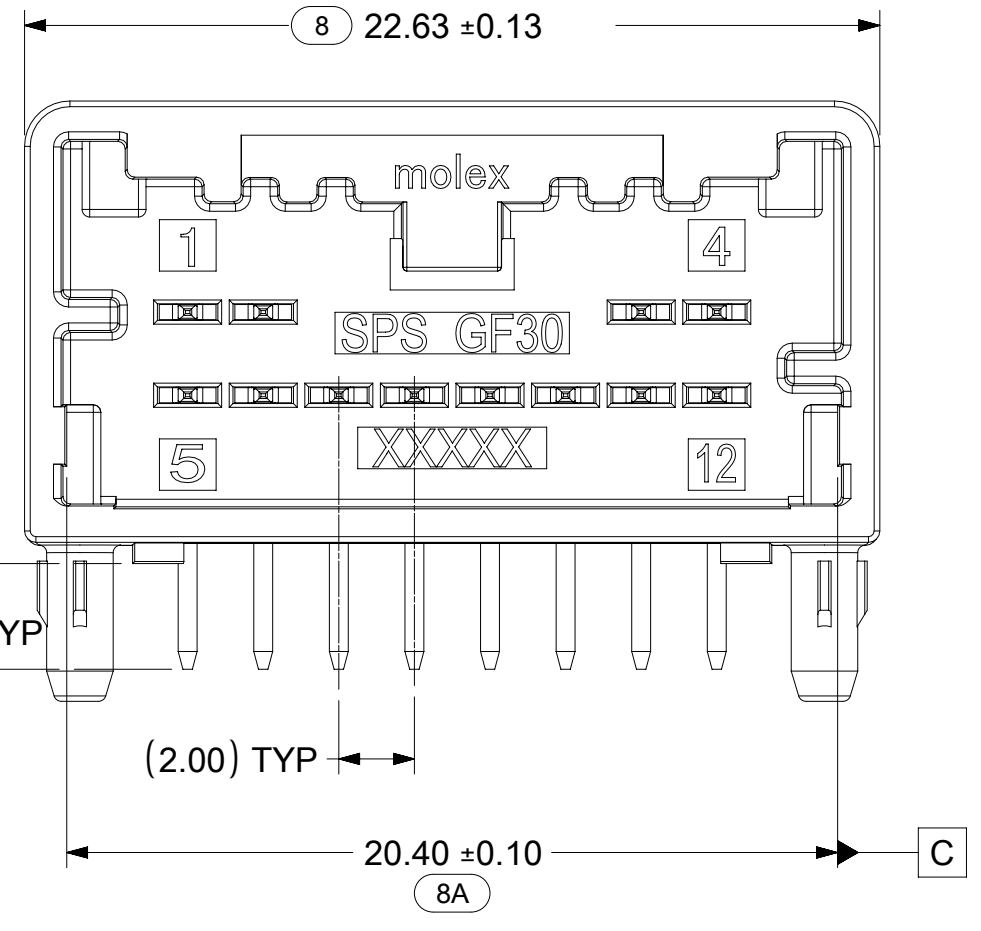
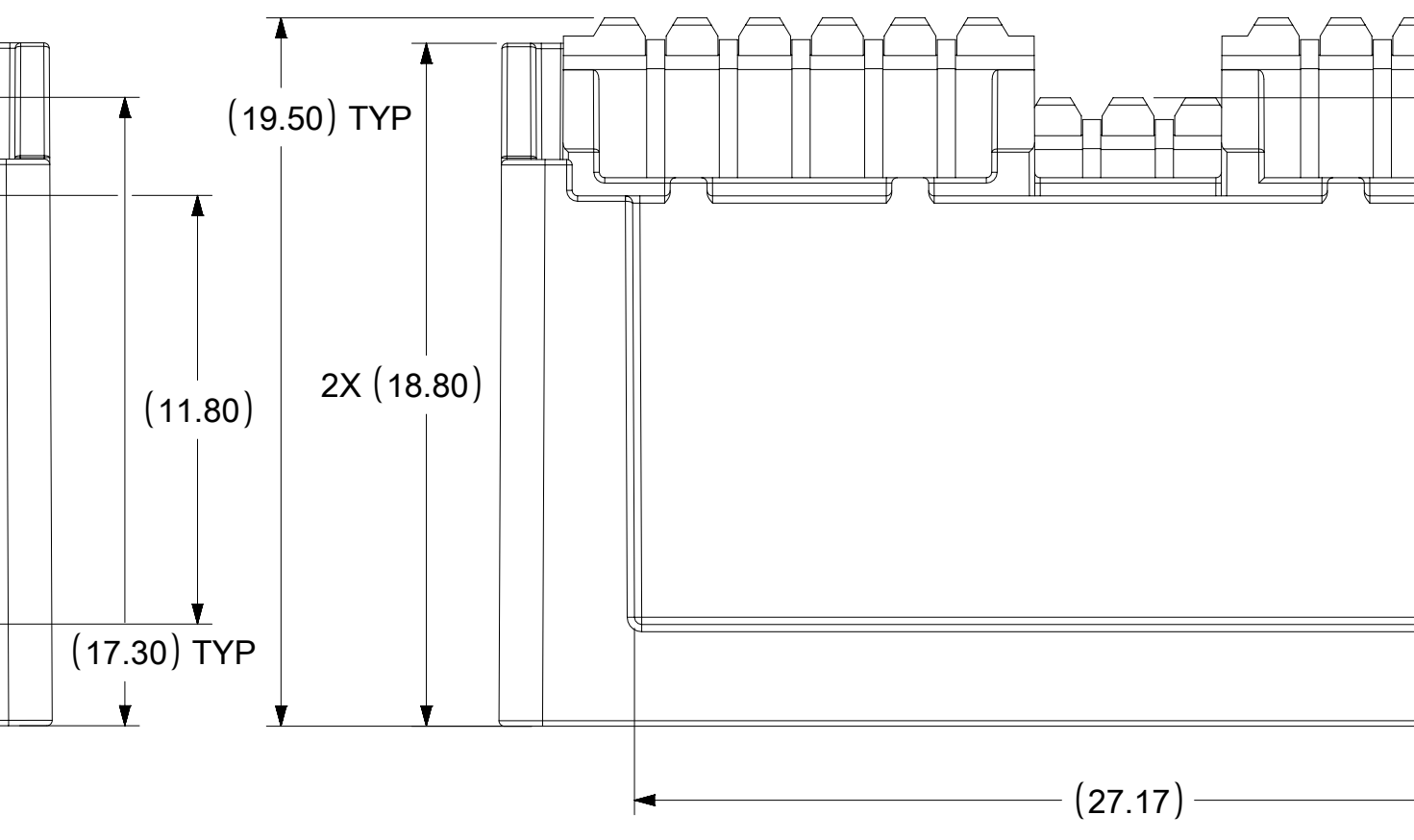
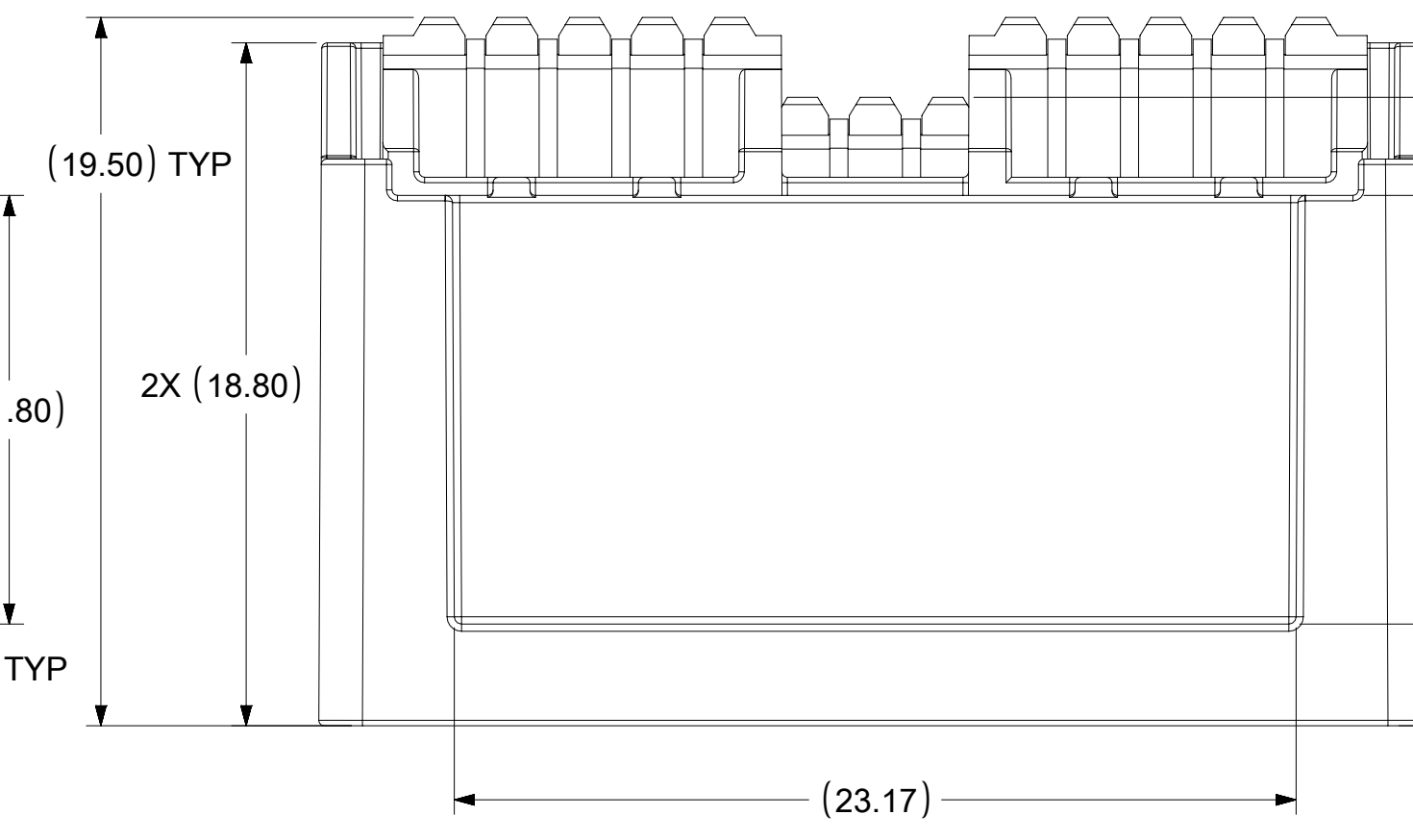
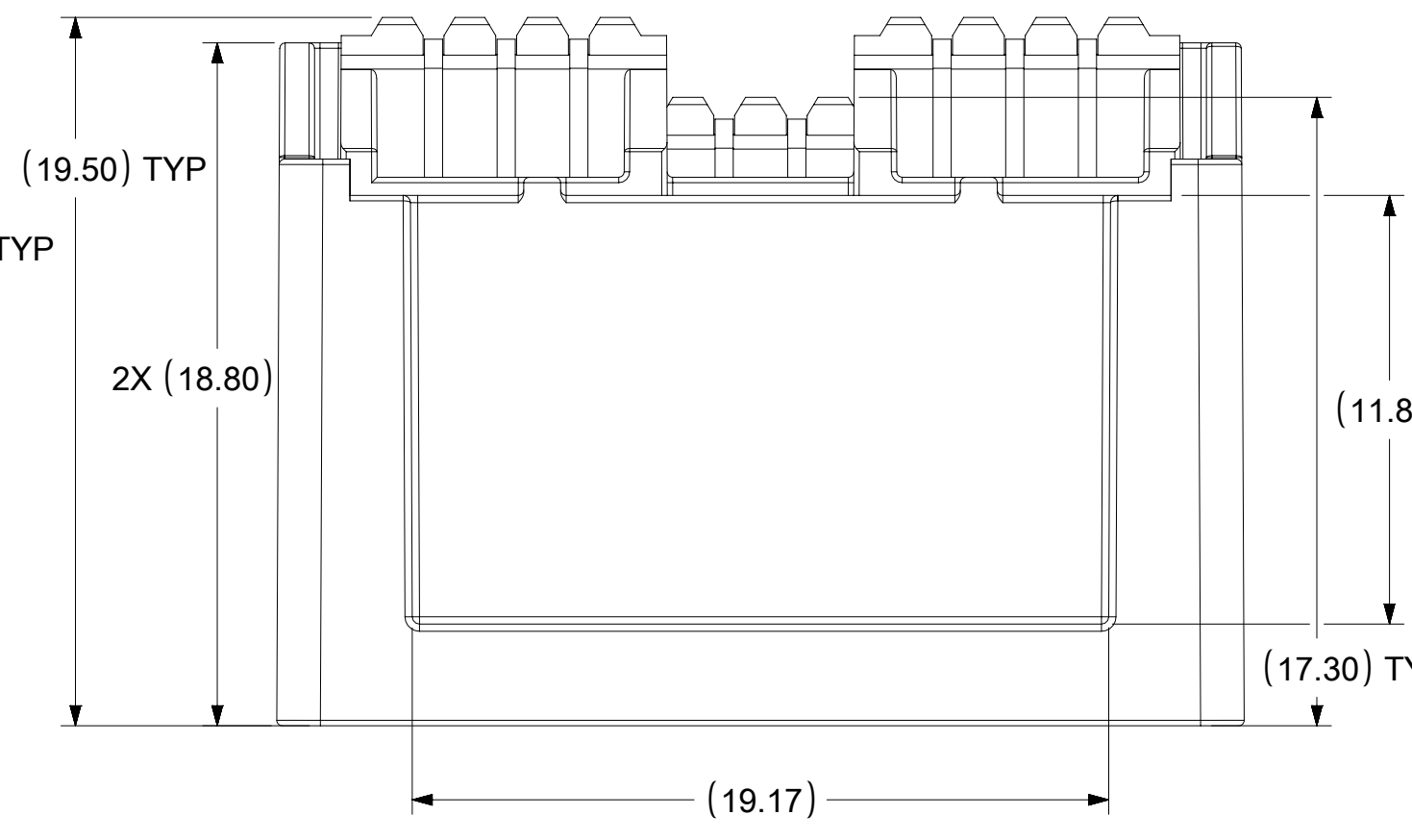
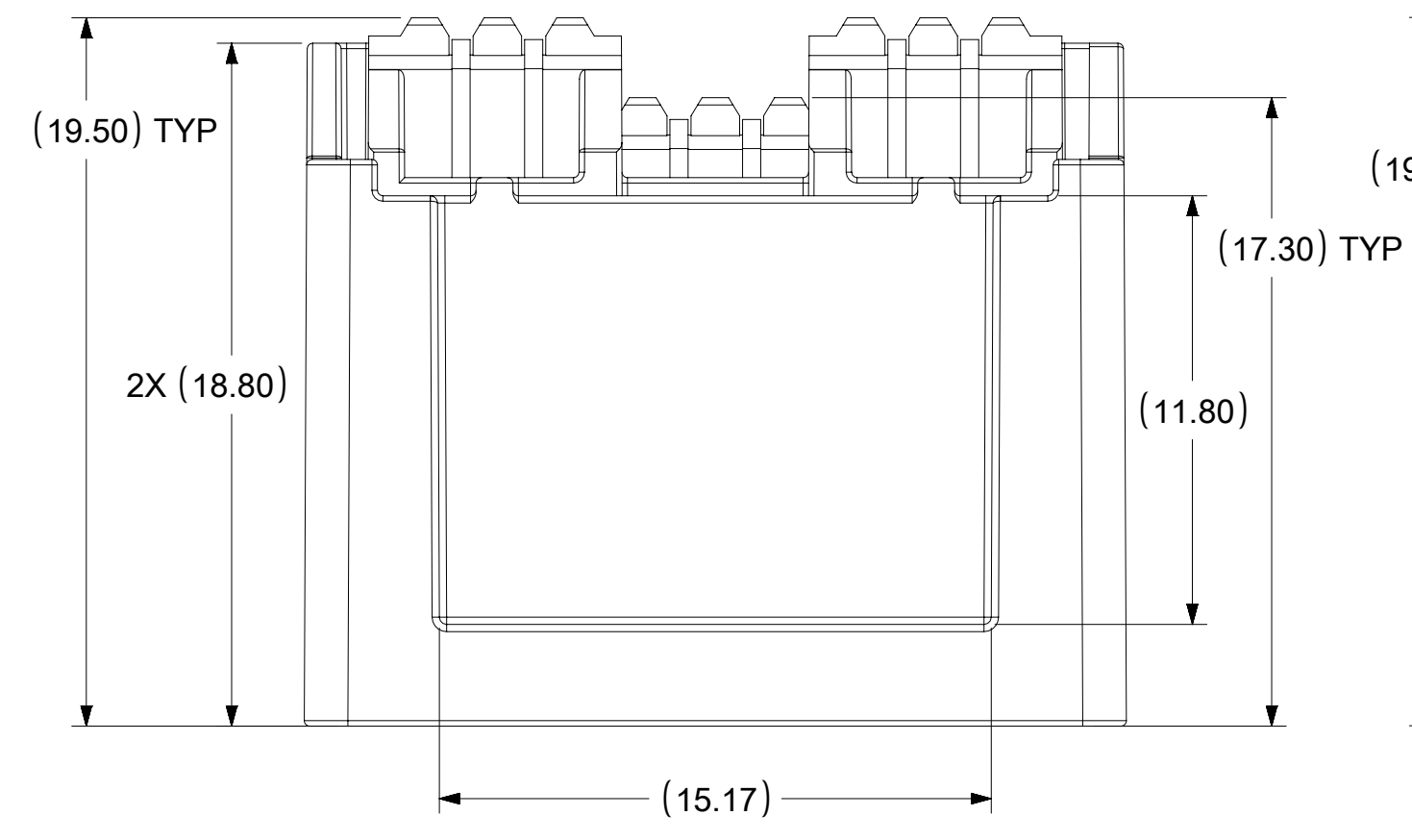
THIS DRAWING CONTAINS INFORMATION THAT IS PROPRIETARY TO MOLEX ELECTRONIC TECHNOLOGIES, LLC AND SHOULD NOT BE USED WITHOUT WRITTEN PERMISSION		CURRENT REV DESC:			
DIMENSION UNITS	SCALE	EC NO: 659285 DRWN: KHEWITT 2021/03/25 CHK'D: SRUSS 2021/03/25 APPR: JDUNAJ 2021/03/25 INITIAL REVISION: DRWN: TMACHUGA 2011/11/22 APPR: SMARCEAU 2011/12/12			
mm	5:1	GENERAL TOLERANCES (UNLESS SPECIFIED)		MINI50 12-24CKT R/A SALES DRAWING PRODUCT CUSTOMER DRAWING	
ANGULAR TOL	± °	4 PLACES ± 3 PLACES ± 2 PLACES ± 1 PLACE ± 0 PLACES ±		DOCUMENT NUMBER <b>SD-34826-001</b>	
DRAFT WHERE APPLICABLE MUST REMAIN WITHIN DIMENSIONS		THIRD ANGLE PROJECTION	DRAWING	SERIES	DOC TYPE <b>PSD</b>
			<b>D-SIZE</b>	<b>34826</b>	DOC PART <b>001</b>
					REVISION <b>H5</b>
					SHEET NUMBER <b>1 OF 4</b>

# 12 CIRCUIT

# 16 CIRCUIT

# 20 CIRCUIT

# 24 CIRCUIT



THIS DRAWING CONTAINS INFORMATION THAT IS PROPRIETARY TO MOLEX ELECTRONIC TECHNOLOGIES, LLC AND SHOULD NOT BE USED WITHOUT WRITTEN PERMISSION

DIMENSION UNITS	SCALE	CURRENT REV DESC:		<b>molex</b>			
mm	5:1						
GENERAL TOLERANCES (UNLESS SPECIFIED)				MINI50 12-24CKT R/A SALES DRAWING			
ANGULAR TOL	± °	EC NO:	659285	PRODUCT CUSTOMER DRAWING			
4 PLACES	±	DRWN:	KHEWITT	2021/03/25	DOCUMENT NUMBER		
3 PLACES	±	CHK'D:	SRUSS	2021/03/25	DOC TYPE		
2 PLACES	±	APPR:	JDUNAJ	2021/03/25	DOC PART		
1 PLACE	±	INITIAL REVISION:		REVISION			
0 PLACES	±	DRWN:	TMACHUGA	2011/11/22	SD-34826-001		
DRAFT WHERE APPLICABLE MUST REMAIN WITHIN DIMENSIONS		APPR:	SMARCEAU	2011/12/12	PSD	001	H5
THIRD ANGLE PROJECTION		DRAWING	D-SIZE	SERIES	MATERIAL NUMBER		CUSTOMER
DRAFT WHERE APPLICABLE MUST REMAIN WITHIN DIMENSIONS		D-SIZE		34826	GENERAL MARKET		SHEET NUMBER
						2 OF 4	

DOCUMENT STATUS	P1	RELEASE DATE	2021/03/25	19:03:46
-----------------	----	--------------	------------	----------

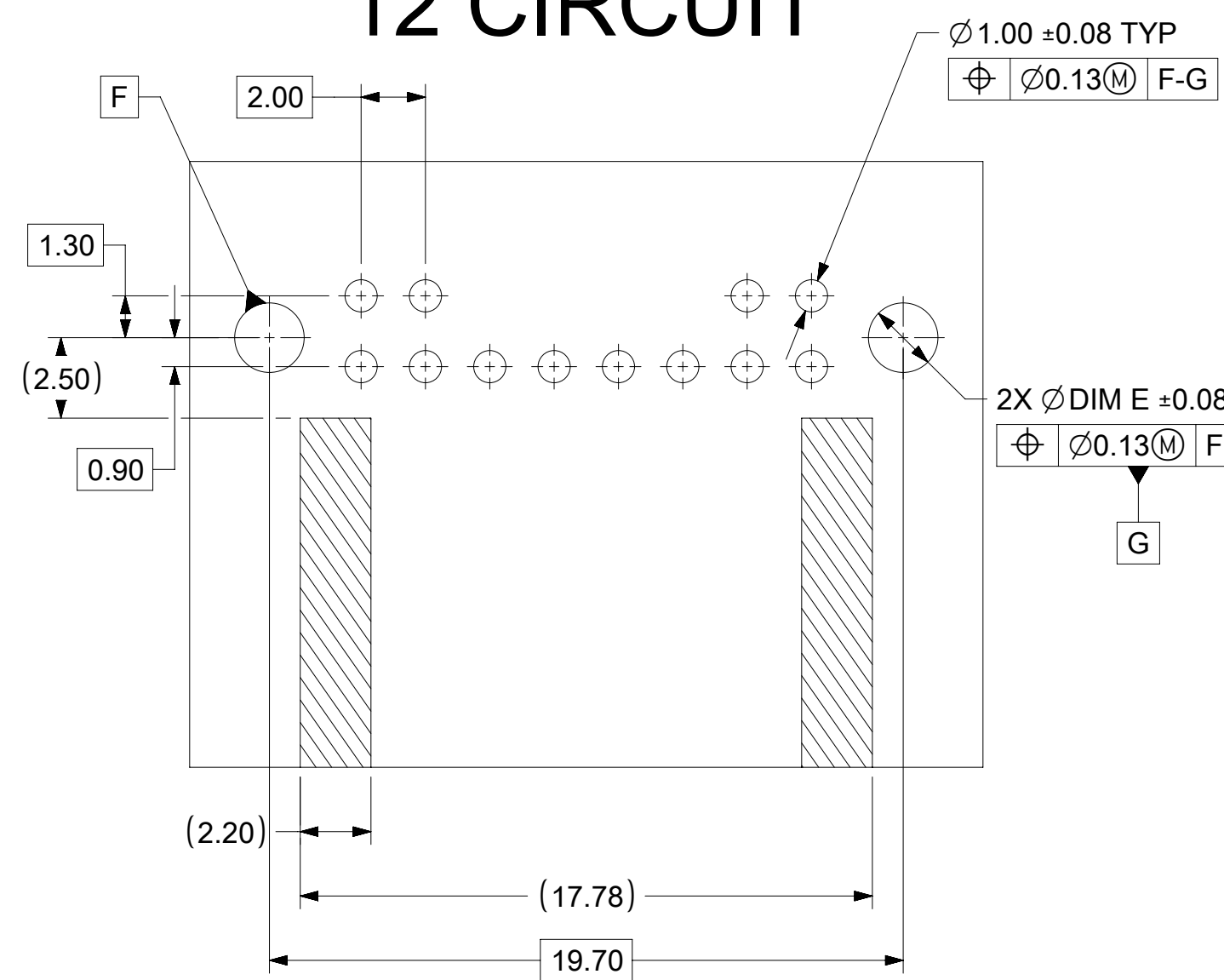
# PCB LAYOUT

BOARD SHOWN FOR REFERENCE ONLY

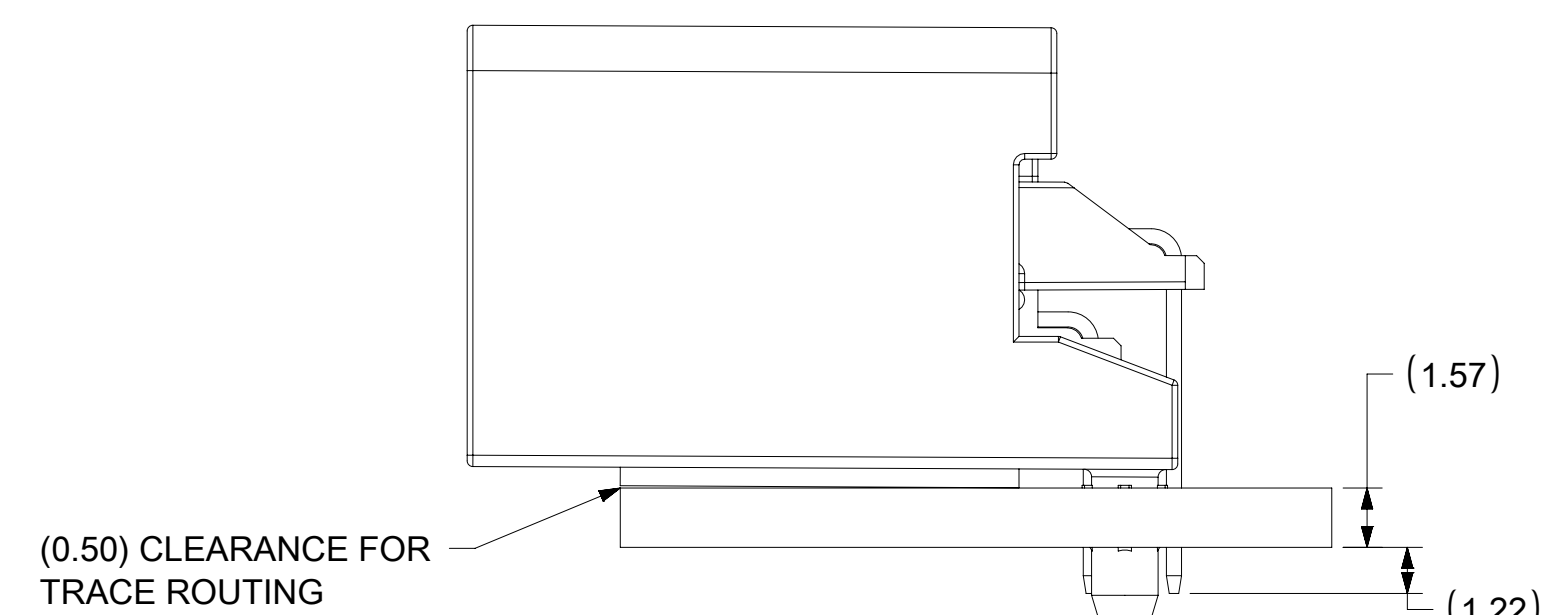
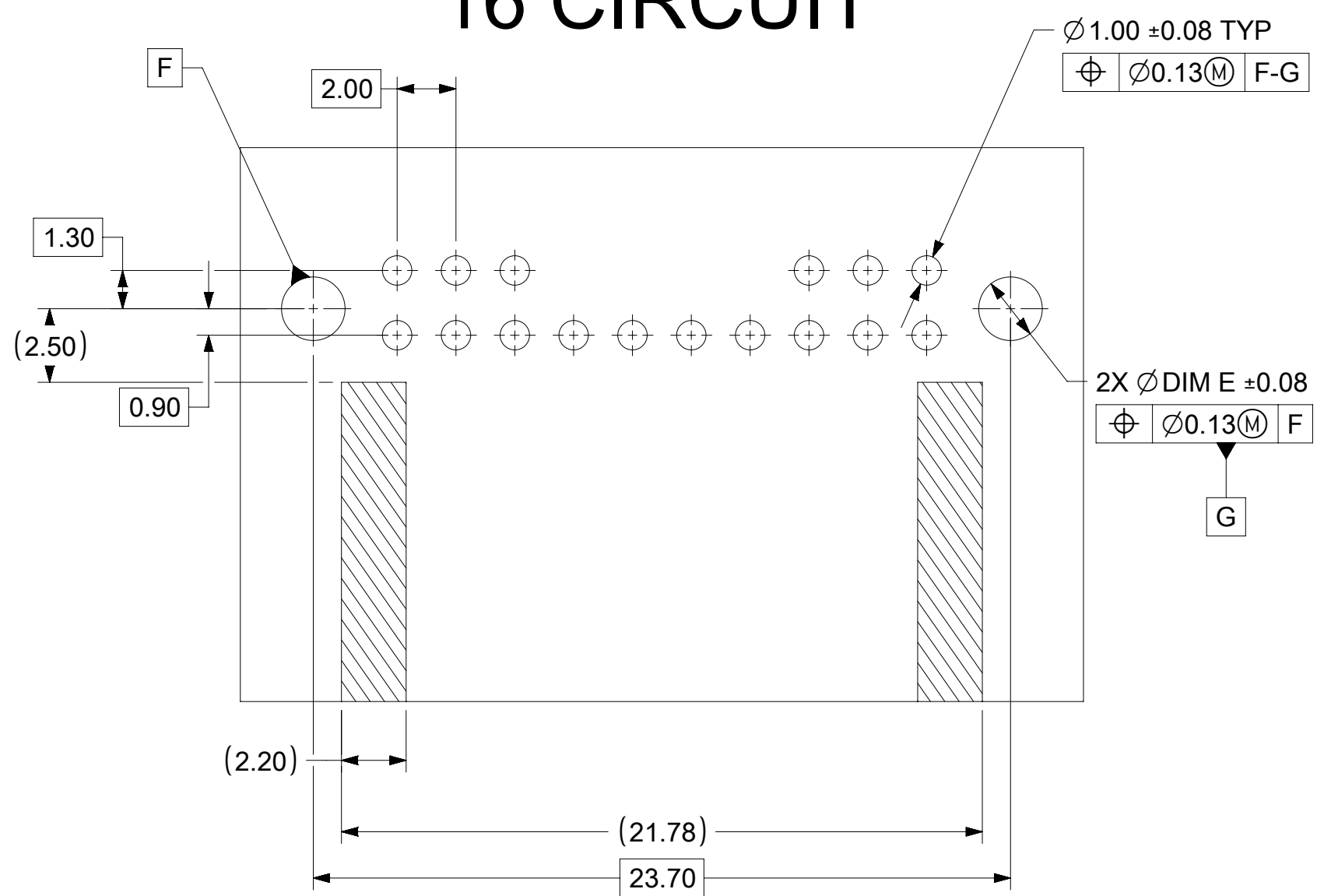
## POST HOLE TABLE

	DIM E
PRESS FIT	2.15
DROP IN	2.55

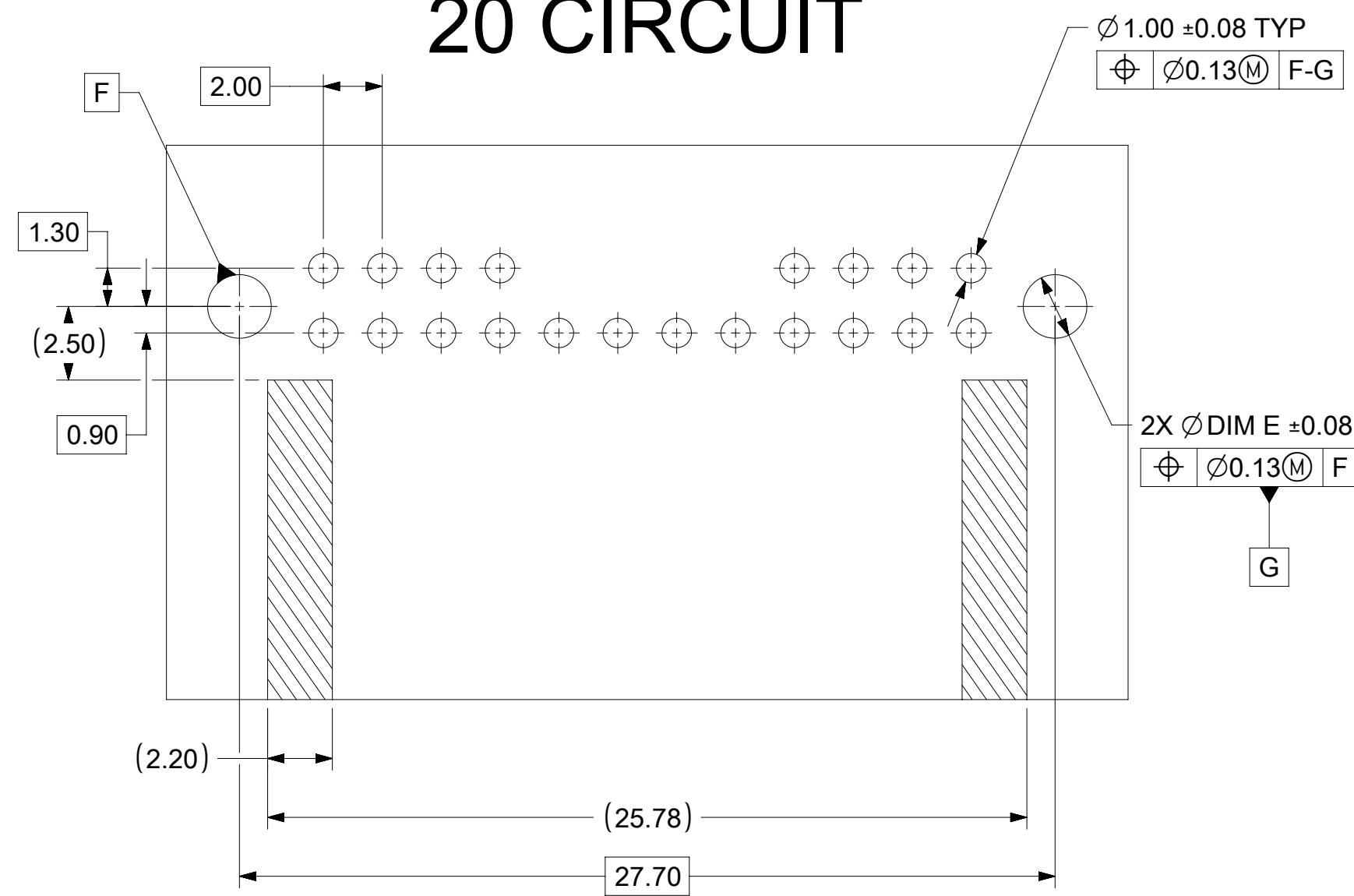
### 12 CIRCUIT



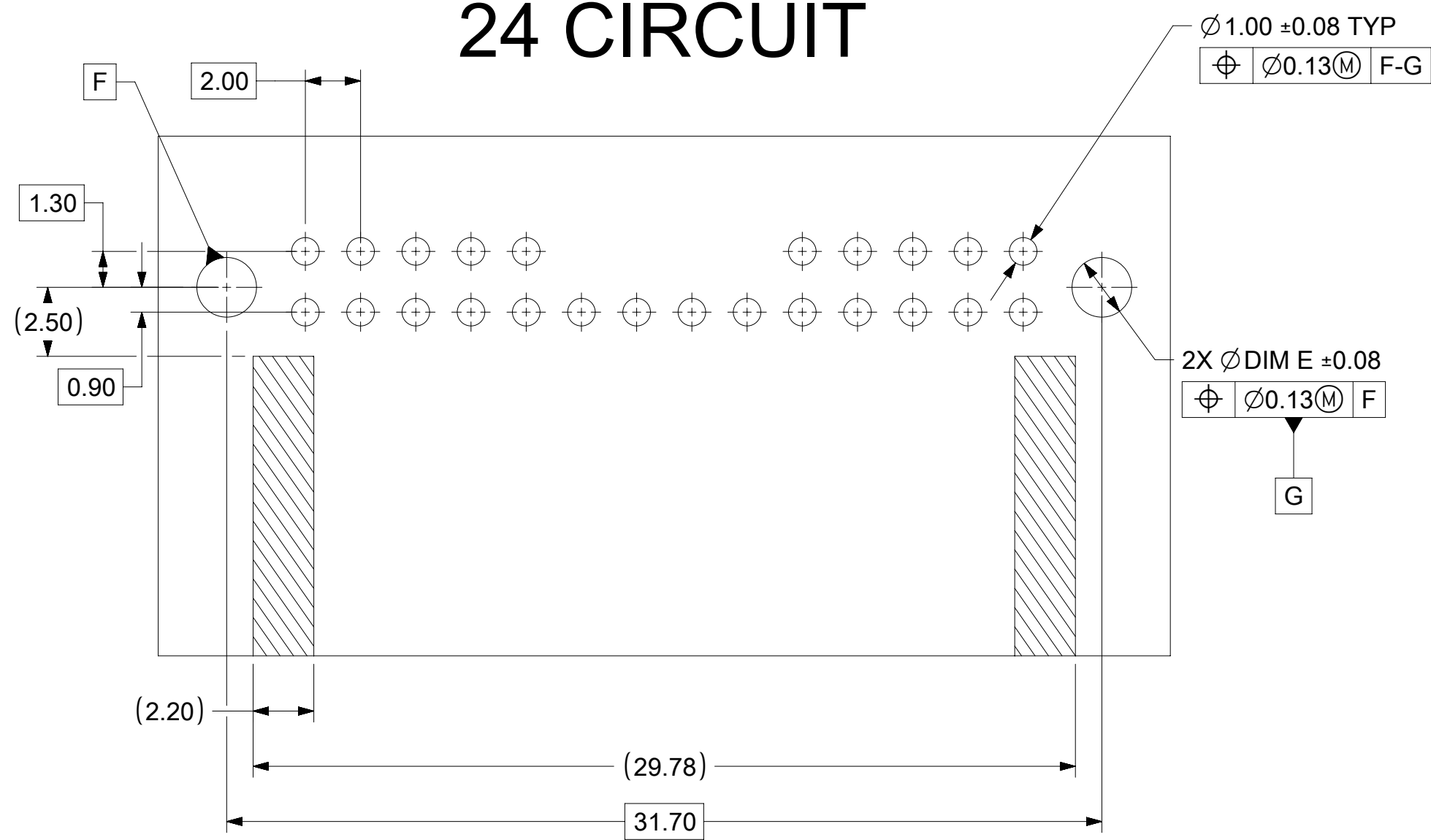
### 16 CIRCUIT



### 20 CIRCUIT



### 24 CIRCUIT



THIS DRAWING CONTAINS INFORMATION THAT IS PROPRIETARY TO MOLEX ELECTRONIC TECHNOLOGIES, LLC AND SHOULD NOT BE USED WITHOUT WRITTEN PERMISSION

DIMENSION UNITS	SCALE	CURRENT REV DESC:		<b>molex</b>		
mm	5:1					
GENERAL TOLERANCES (UNLESS SPECIFIED)		EC NO: 659285		PRODUCT CUSTOMER DRAWING		
ANGULAR TOL	± °	DRWN: KHEWITT	2021/03/25	DOCUMENT NUMBER	DOC TYPE	DOC PART
4 PLACES	±	CHK'D: SRUSS	2021/03/25	SD-34826-001	PSD	001
3 PLACES	±	APPR: JDUNAJ	2021/03/25	REVISION		
2 PLACES	±	INITIAL REVISION:		H5		
1 PLACE	±	DRWN: TMACHUGA	2011/11/22	MATERIAL NUMBER		
0 PLACES	±	APPR: SMARCEAU	2011/12/12	CUSTOMER		
DRAFT WHERE APPLICABLE MUST REMAIN WITHIN DIMENSIONS		THIRD ANGLE PROJECTION	DRAWING	SERIES	SHEET NUMBER	
			D-SIZE	34826	3 OF 4	
					GENERAL MARKET	

# MINI50 RIGHT ANGLE HEADER ASSEMBLIES

CIRCUIT	DIM D	POL	COLOR	MATERIAL NUMBER	MATERIAL NUMBER	MATERIAL NUMBER	BLADE PLATING	FLAMMABILITY
				TAPE AND REEL PACKAGING PK-47799-0001	TUBE PACKAGING PK-31301-688	TRAY PACKAGING PK-31301-440		
12	2.80	A	BLACK	34826-8124	34826-9124	34826-0124	TIN	HB
		A	GREEN	34826-8127	34826-9127	N/A	TIN	
		B	GRAY	34826-8125	34826-9125	34826-0125	TIN	
		C	DARK GRAY	34826-8126	34826-9126	34826-0126	TIN	
16	2.80	A	BLACK	34826-8160	34826-9160	34826-0160	TIN	HB
		B	GRAY	34826-8161	34826-9161	34826-0161	TIN	
		C	DARK GRAY	34826-8162	34826-9162	34826-0162	TIN	
	3.30	A	BLACK	34826-8164	34826-9164	34826-0164	TIN	
		B	GRAY	34826-8165	34826-9165	34826-0165	TIN	
		C	DARK GRAY	34826-8166	34826-9166	34826-0166	TIN	
20	2.80	A	BLACK	34826-8200	34826-9200	34826-0200	TIN	HB
		B	GRAY	34826-8201	34826-9201	34826-0201	TIN	
		C	DARK GRAY	34826-8202	34826-9202	34826-0202	TIN	
	3.30	A	BLACK	34826-8204	34826-9204	34826-0204	TIN	
		B	GRAY	34826-8205	34826-9205	34826-0205	TIN	
		C	DARK GRAY	34826-8206	34826-9206	34826-0206	TIN	
24	2.80	A	BLACK	34826-8240	34826-9240	34826-0240	TIN	HB
		B	GRAY	34826-8241	34826-9241	34826-0241	TIN	
		C	DARK GRAY	34826-8242	34826-9242	34826-0242	TIN	
12	2.80	A	BLACK	215427-8124	215427-9124	215427-0124	TIN	V0
		B	GRAY	215427-8125	215427-9125	215427-0125	TIN	
		C	DARK GRAY	215427-8126	215427-9126	215427-0126	TIN	
16	2.80	A	BLACK	215427-8160	215427-9160	215427-0160	TIN	V0
		B	GRAY	215427-8161	215427-9161	215427-0161	TIN	
		C	DARK GRAY	215427-8162	215427-9162	215427-0162	TIN	
20	2.80	A	BLACK	215427-8200	215427-9200	215427-0200	TIN	V0
		B	GRAY	215427-8201	215427-9201	215427-0201	TIN	
		C	DARK GRAY	215427-8202	215427-9202	215427-0202	TIN	
24	2.80	A	BLACK	215427-8240	215427-9240	215427-0240	TIN	V0
		B	GRAY	215427-8241	215427-9241	215427-0241	TIN	
		C	DARK GRAY	215427-8242	215427-9242	215427-0242	TIN	

## MATING COMPONENTS

**FOR ALL MATING COMPONENT PART NUMBERS SEE THE FOLLOWING SALES DRAWINGS**

- GEN I RECEPTACLE ONLY: SD-34824-002
- GEN I RECEPTACLE WITH CPA: SD-34824-003
- GEN II: 2065230000

THIS DRAWING CONTAINS INFORMATION THAT IS PROPRIETARY TO MOLEX ELECTRONIC TECHNOLOGIES, LLC AND SHOULD NOT BE USED WITHOUT WRITTEN PERMISSION									
DIMENSION UNITS		SCALE		CURRENT REV DESC:					
mm		1:1		<p><b>molex</b></p> <p>MINI50 12-24CKT R/A SALES DRAWING</p> <p>PRODUCT CUSTOMER DRAWING</p> <p>DOCUMENT NUMBER: <b>SD-34826-001</b>    DOC TYPE: PSD    DOC PART: 001    REVISION: H5</p> <p>SHEET NUMBER: 4 OF 4</p>					
GENERAL TOLERANCES (UNLESS SPECIFIED)									
ANGULAR TOL ± °									
4 PLACES ±									
3 PLACES ±									
2 PLACES ±									
1 PLACE ±									
0 PLACES ±									
DRAFT WHERE APPLICABLE MUST REMAIN WITHIN DIMENSIONS		THIRD ANGLE PROJECTION		DRAWING		SERIES		MATERIAL NUMBER	
				D-SIZE		34826		GENERAL MARKET	