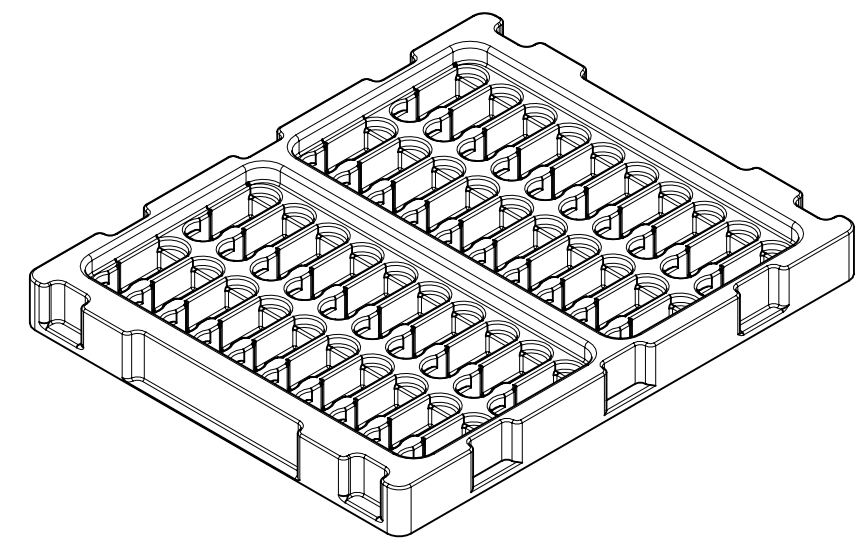
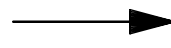
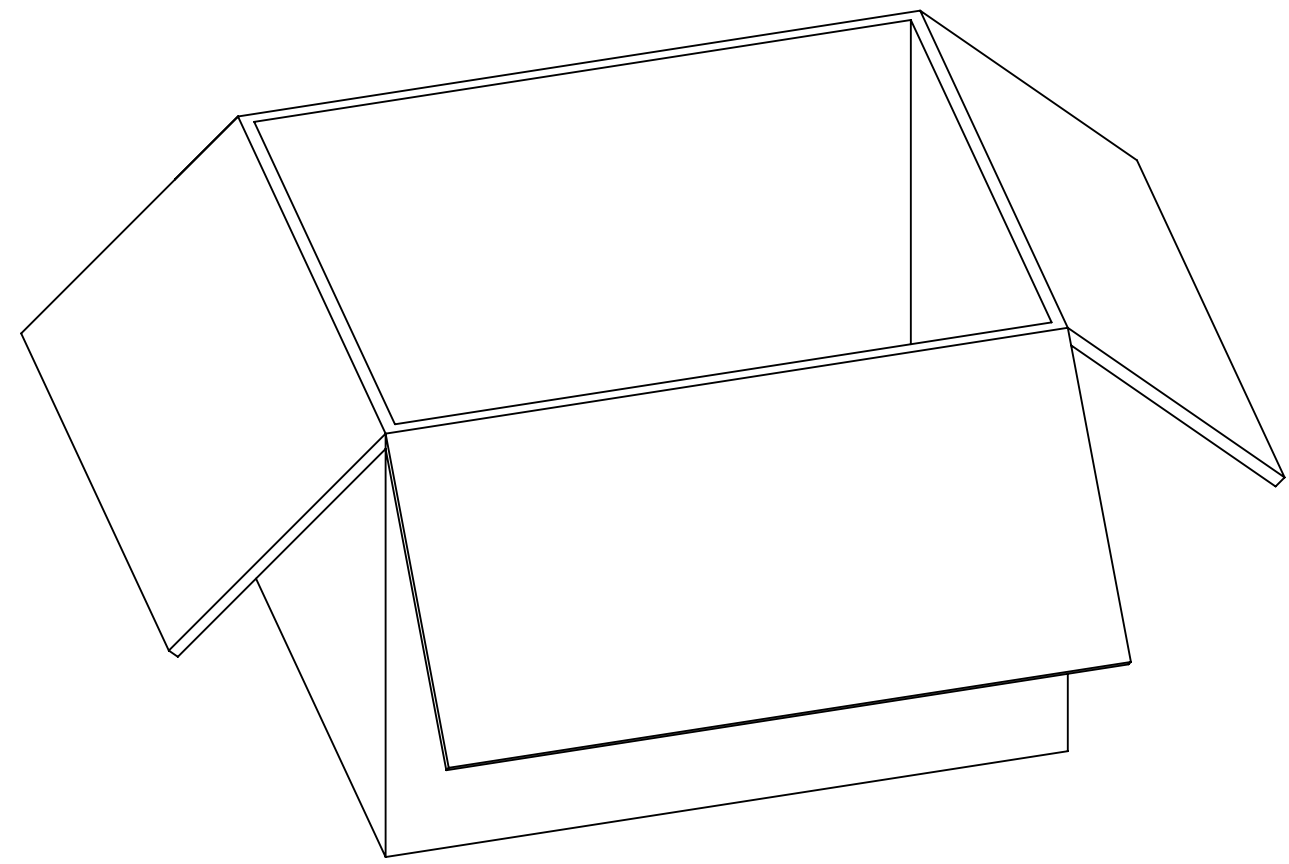


PRODUCT
P/N: XXXXX-XXXX



40 SETS PER TRAY



600 SETS PER CARTON BOX

THIS DRAWING CONTAINS INFORMATION THAT IS PROPRIETARY TO MOLEX ELECTRONIC TECHNOLOGIES, LLC AND SHOULD NOT BE USED WITHOUT WRITTEN PERMISSION

DIMENSION UNITS		SCALE		CURRENT REV DESC: NEW RELEASE PER EWR #15500-B				molex			
mm		NTS									
GENERAL TOLERANCES (UNLESS SPECIFIED)								PACKING SPEC 89707-0169 DU 600 EWR-15500			
ANGULAR TOL ± °				EC NO: 738684				PRODUCT CUSTOMER DRAWING			
4 PLACES ±				DRWN: RYEH 2023/02/15				DOCUMENT NUMBER			
3 PLACES ±				CHK'D: YCHENG 2023/02/16				895420580			
2 PLACES ±				APPR: YCHENG 2023/02/16				DOC TYPE			
1 PLACE ±				INITIAL REVISION:				PSD			
0 PLACES ±				DRWN: RYEH 2023/02/15				DOC PART			
DRAFT WHERE APPLICABLE MUST REMAIN WITHIN DIMENSIONS				THIRD ANGLE PROJECTION				000			
				DRAWING				REVISION			
				C-SIZE				A			
				SERIES				SHEET NUMBER			
				89542				1 OF 1			
				MATERIAL NUMBER				CUSTOMER			
				895420580							

DOCUMENT STATUS	P1	RELEASE DATE	2023/02/16	04:47:02
-----------------	----	--------------	------------	----------

MATERIALS AND FINISHES:

BODY: ZINC ALLOY
PLATED: SEE TABLE

CENTER CONTACT: PHOSPHOR BRONZE
PLATED GOLD

INSULATOR: PTFE

JAM NUT: BRASS
PLATED NICKEL

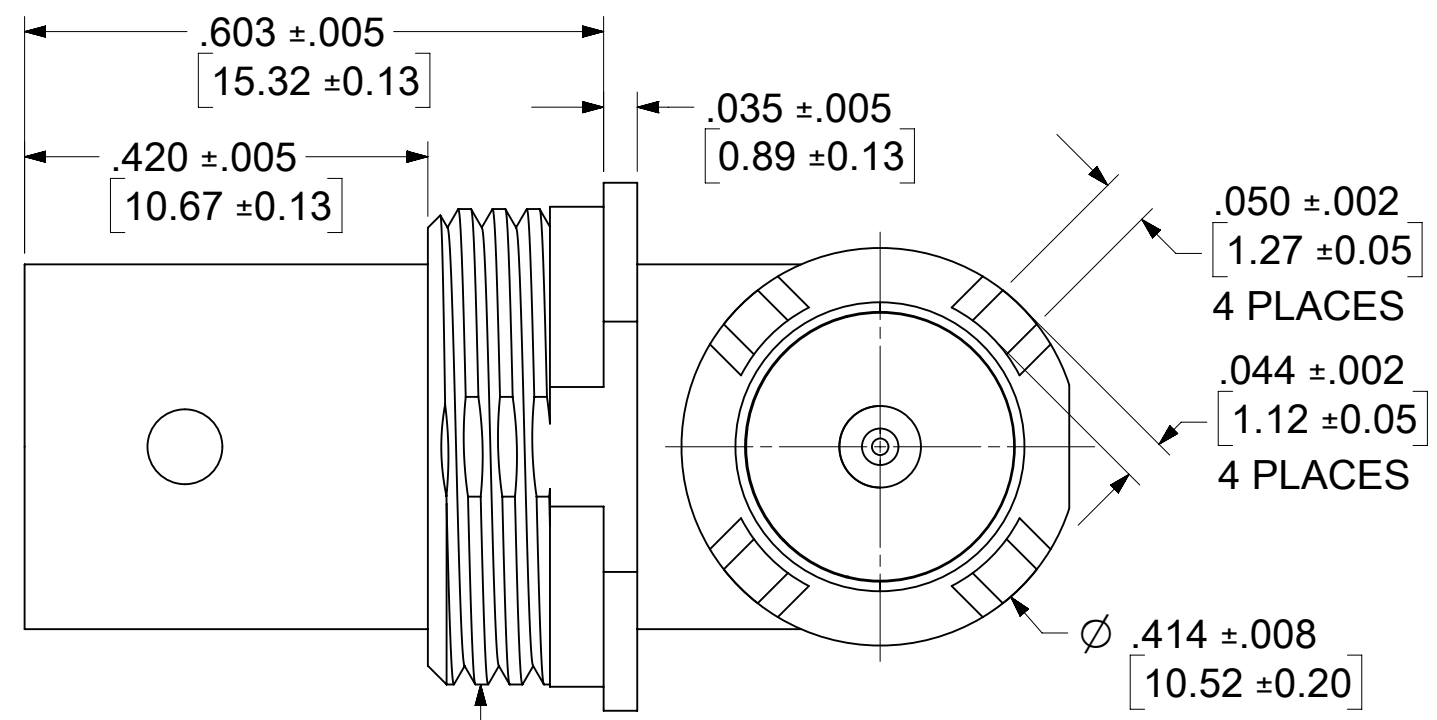
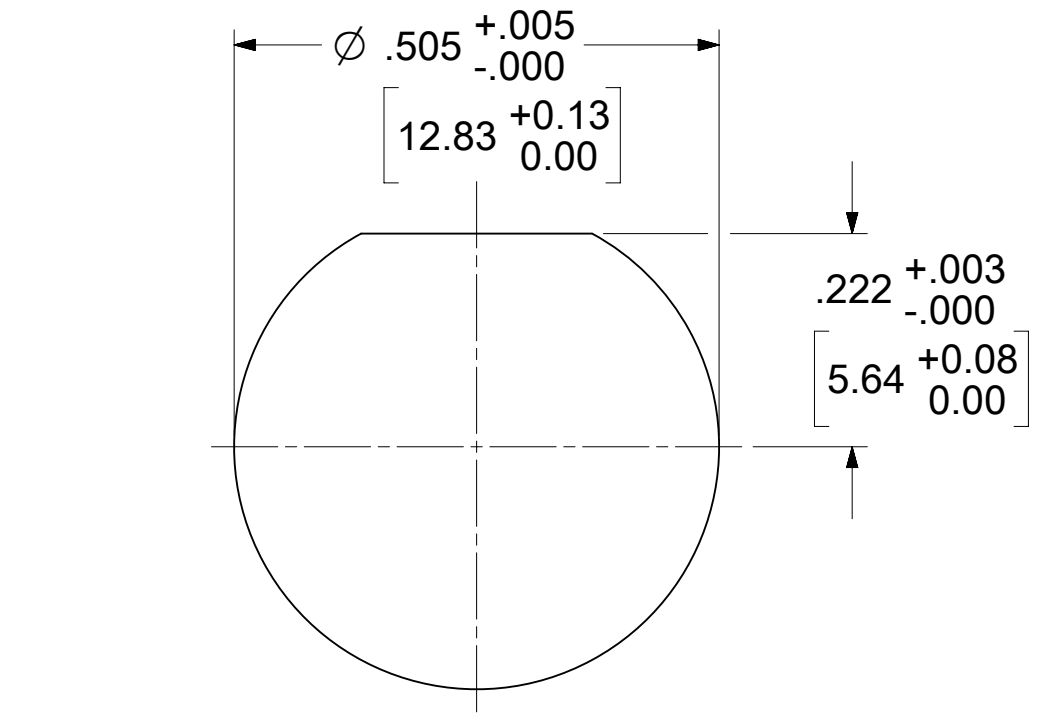
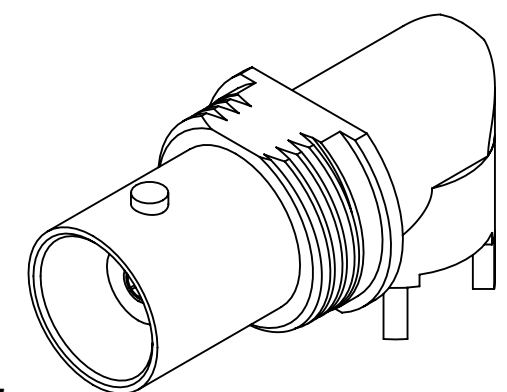
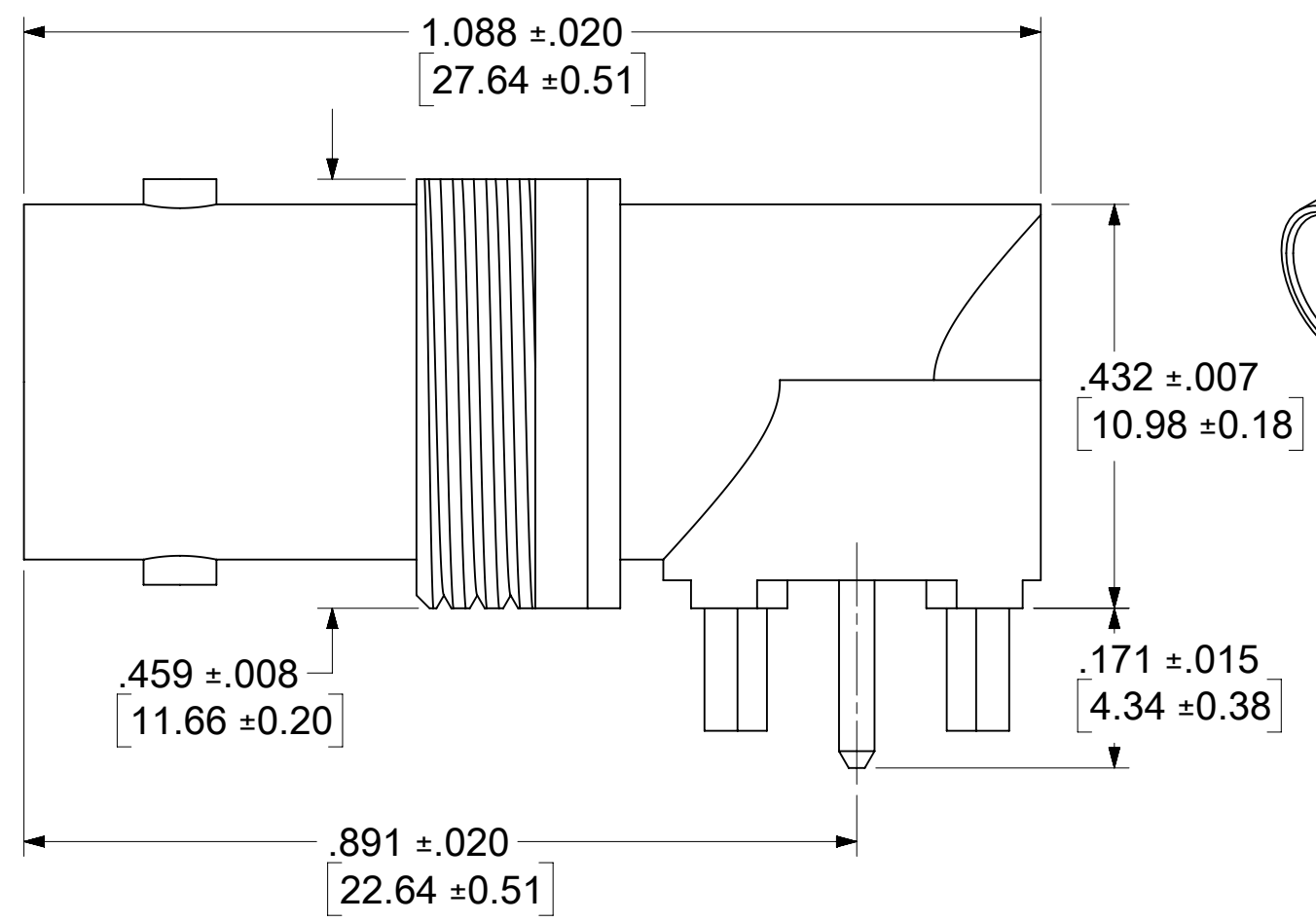
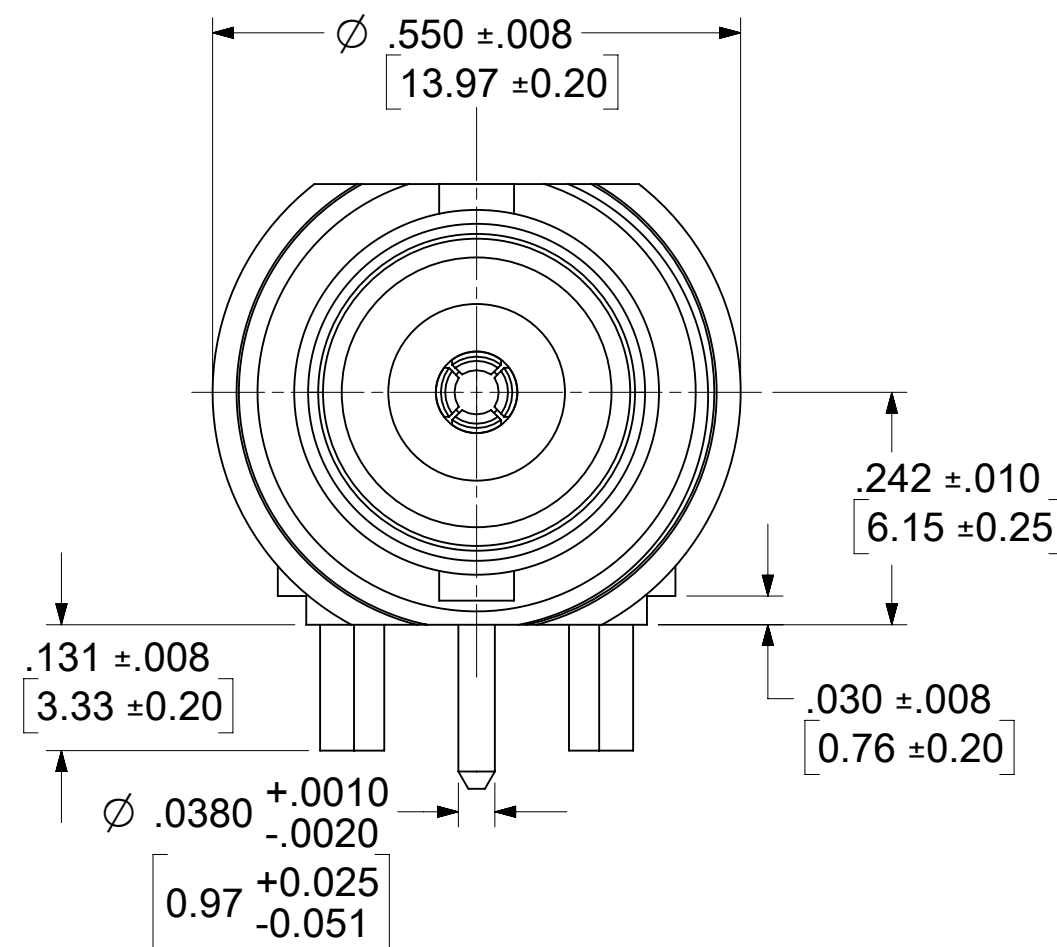
LOCK WASHER: PHOSPHOR BRONZE
PLATED NICKEL

MECHANICAL CHARACTERISTICS:

FORCE TO ENGAGE & DISENGAGE:
AXIAL: 5 lbs TYP; RADIAL: 2.5 in-lb MAX
CONNECTOR DURABILITY: 500 CYCLES MIN

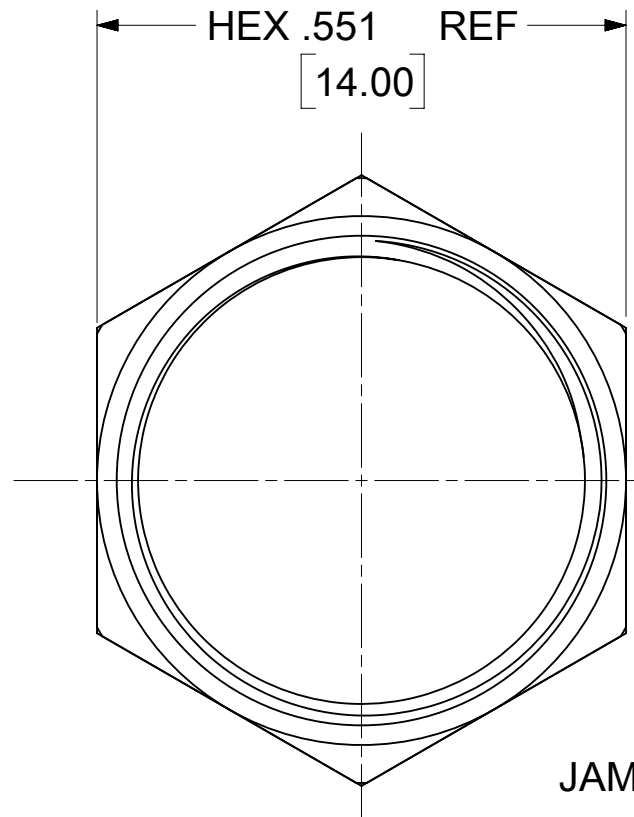
ELECTRICAL CHARACTERISTICS:

NOMINAL IMPEDANCE: 50Ω
FREQUENCY RATING: DC TO 4 GHz
VSWR: 1.25 TYP
INSERTION LOSS: 0.12√F(GHz) dB TYP

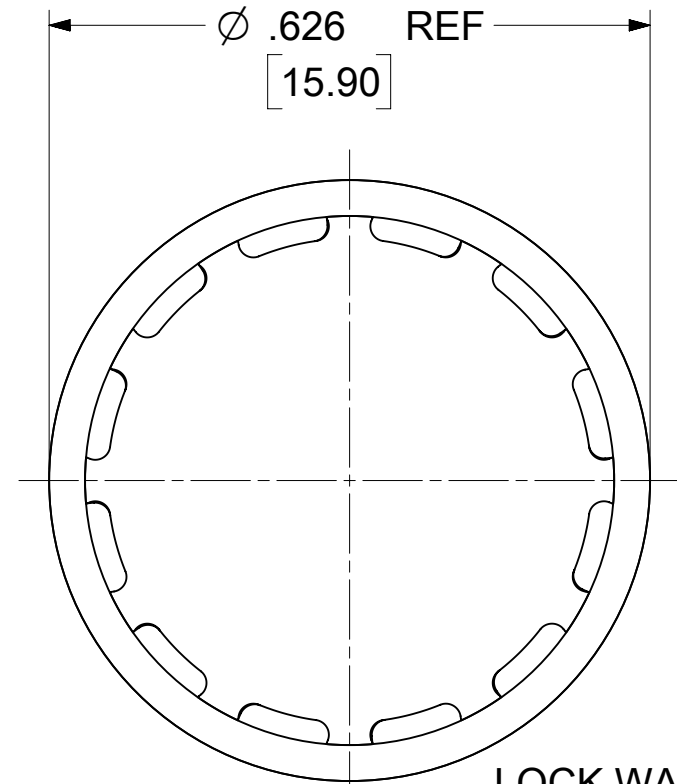
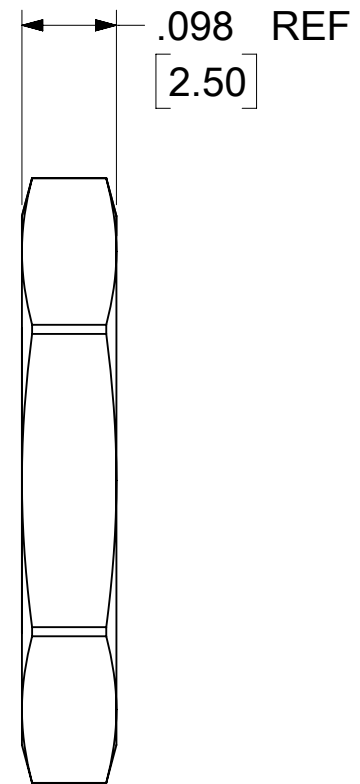


RECOMMENDED PANEL CUTOUT

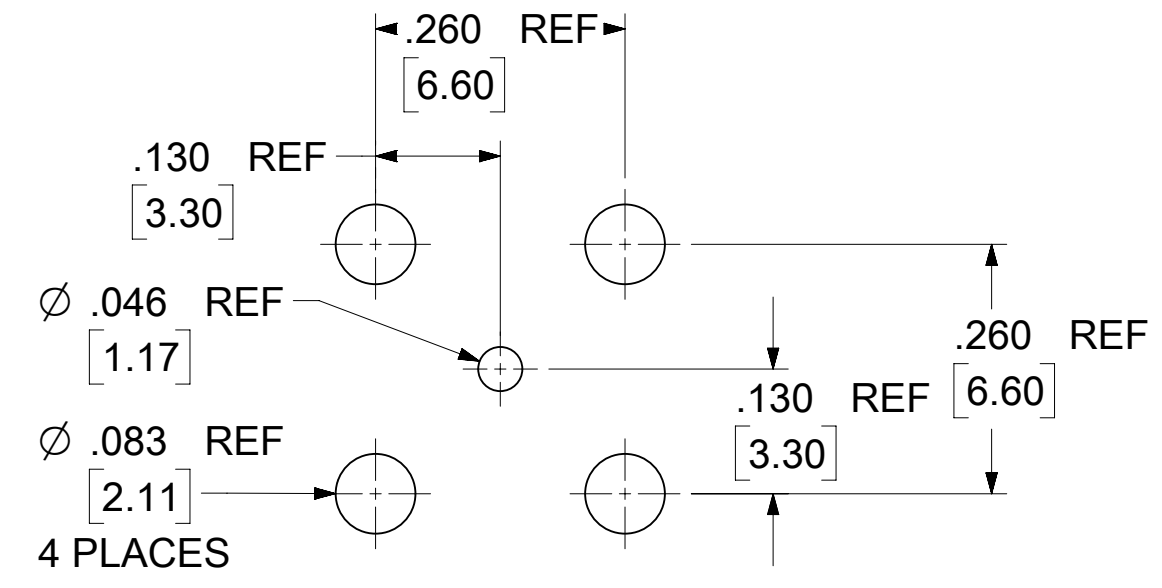
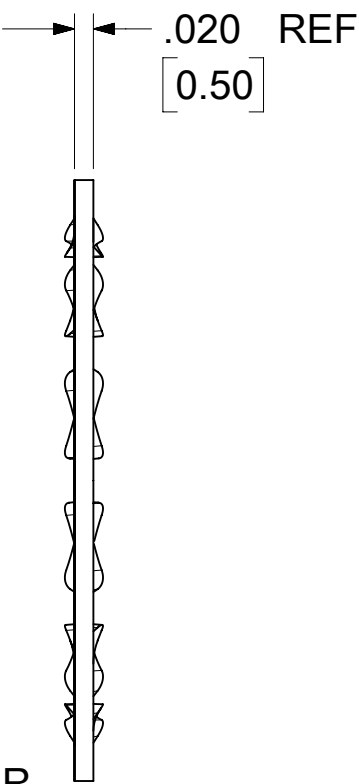
1/2-28 UNEF-2A



JAM NUT



LOCK WASHER



RECOMMENDED PCB HOLE PATTERN

73171-1362	INCLUDED	NICKEL	895420590
73171-1361	INCLUDED	TIN	895420590
73171-1360	NOT INCLUDED	TIN	895420580
PART NO.	WASHER/NUT	BODY PLATING	PACKING SPEC

PS-89675-1030	ELEC/MECH PERFORMANCE
MIL-STD-348A, FIG. 301.2	INTERFACE
SPECIFICATION	DESCRIPTION

DOCUMENT STATUS	P1	RELEASE DATE	2023/03/29 03:23:45
-----------------	----	--------------	---------------------

THIS DRAWING CONTAINS INFORMATION THAT IS PROPRIETARY TO MOLEX ELECTRONIC TECHNOLOGIES, LLC AND SHOULD NOT BE USED WITHOUT WRITTEN PERMISSION

DIMENSION UNITS	SCALE	CURRENT REV DESC: ADD ELECTRICAL & MECHANICAL CHARACTERISTICS PER EWR #15500-C				
INCH/MM	NTS					
GENERAL TOLERANCES (UNLESS SPECIFIED)		EC NO: 743585	BNC JACK, R/A, PCB 50 OHMS, BULKHEAD BNC-J/PCB PRODUCT CUSTOMER DRAWING			
ANGULAR TOL	± 2.0°					
4 PLACES	±	DRWN: RYEH 2023/03/21	DOCUMENT NUMBER			
3 PLACES	±	CHK'D: YCHENG 2023/03/29				SD-73171-136
2 PLACES	±	APPR: YCHENG 2023/03/29	DOC TYPE DOC PART REVISION			
1 PLACE	±	INITIAL REVISION:				PSD 001 C11
0 PLACES	±	DRWN: AROBERTSON 2005/01/25	MATERIAL NUMBER CUSTOMER SHEET NUMBER			
		APPR: JWIENER 2005/01/25				SEE TABLE GENERAL MARKET 1 OF 1
DRAFT WHERE APPLICABLE MUST REMAIN WITHIN DIMENSIONS		THIRD ANGLE PROJECTION	DRAWING	SERIES		
			C-SIZE	73171		