

THE INFORMATION CONTAINED HEREIN IS CONSIDERED "PROPRIETARY" TO BEL FUSE INC. AND SHALL NOT BE COPIED, REPRODUCED OR DISCLOSED WITHOUT THE WRITTEN APPROVAL OF BEL FUSE INC.



LED1 POLARITY			LED2 POLARITY		
PIN 13	PIN 14	COLOR	PIN 15	PIN 16	COLOR
+	-	YELLOW	+	-	YELLOW
-	+	GREEN	-	+	GREEN

ELECTRICAL CHARACTERISTICS @ 25°C

URNS RATIO

TP1	1CT : 1CT ±2%
TP2	1CT : 1CT ±2%
TP3	1CT : 1CT ±2%
TP4	1CT : 1CT ±2%

OCL @ 100kHz/100mVRMS

8mA DC BIAS 350µH MIN.

INS. LOSS

0.1MHz TO 1MHz	-1.1 dB MAX
1MHz TO 65MHz	-0.5 dB MAX
65MHz TO 100MHz	-0.8 dB MAX
100MHz TO 125MHz	-1.2 dB MAX

RET. LOSS (MIN)

0.5MHz-40MHz	-18 dB
40MHz-100MHz	-12+20LOG(f/80MHz) dB

CROSS TALK

100kHz - 100MHz -33+20LOG(f/100MHz)dB MIN

CM TO CM REJ

100kHz - 100MHz -30 dB MIN

CM TO DM REJ

100kHz - 100MHz -35 dB MIN

HIPOT (Isolation Voltage):

1500 Vrms

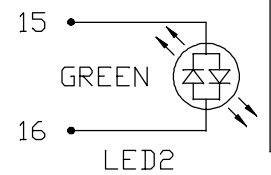
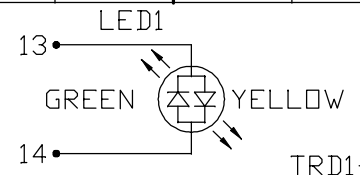
100% OF PRODUCTION TESTED TO COMPLY WITH IEEE 802.3 ISOLATION REQUIREMENTS.

LED 1 & LED 2

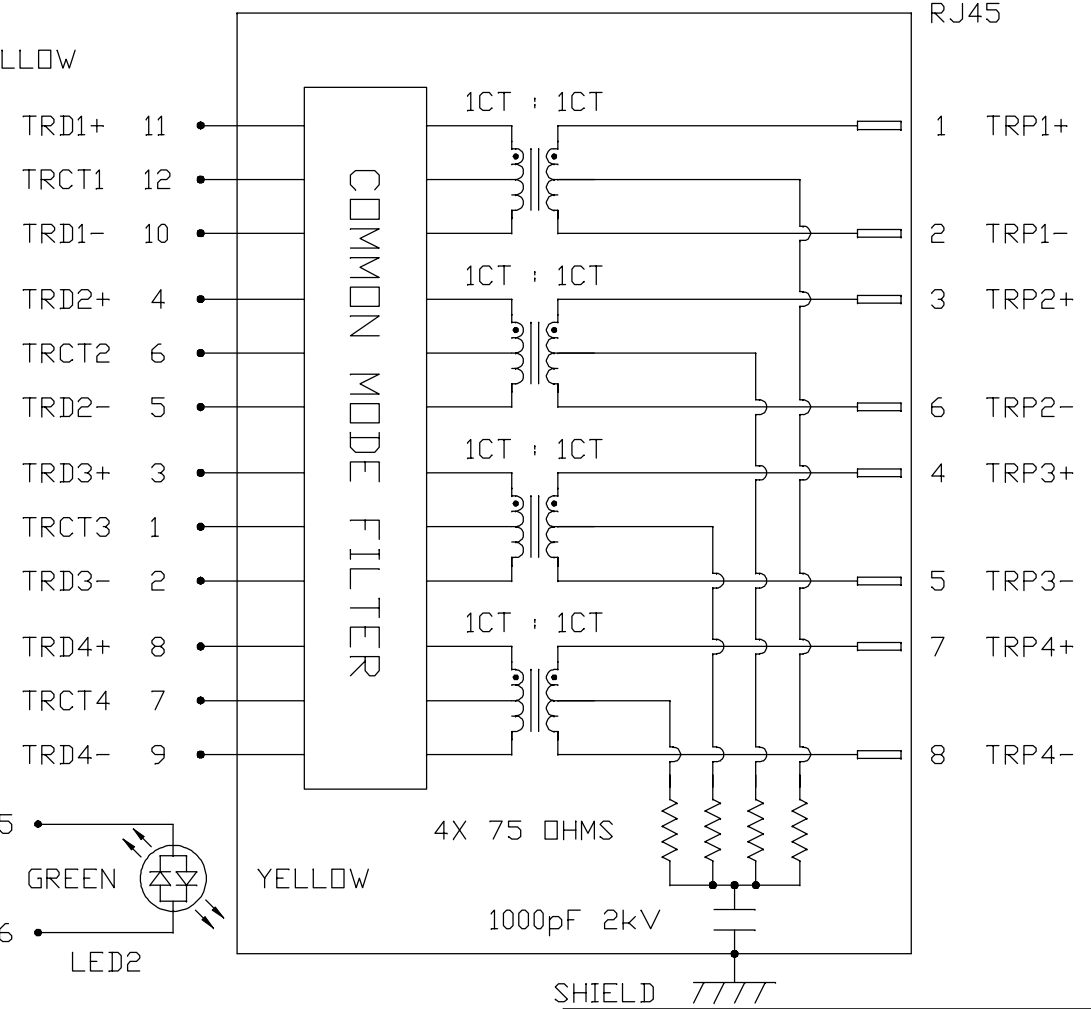
VF (FORWARD VOLTAGE)	IF=20mA	GREEN	2.2V TYP.
		YELLOW	2.1V TYP.
λD (DOMINANT WAVELENGTH)	IF=20mA	GREEN	570nm TYP.
		YELLOW	590nm TYP.

OPERATING TEMPERATURE:

0°C TO +70°C.



SCHEMATIC



- RJ45
- 1 TRP1+
- 2 TRP1-
- 3 TRP2+
- 6 TRP2-
- 4 TRP3+
- 5 TRP3-
- 7 TRP4+
- 8 TRP4-

ORIGINATED BY  
CHOW WANCHUNG  
DATE 2017-04-24

DRAWN BY  
XIE YIMING  
DATE 2017-04-24

TITLE  
1X4 gigabit MagJack®  
(8 cores, Tab Up)  
0826-1C4T-43-F  
PATENTED

PART NO. / DRAWING NO.  
08261C4T43-F

FILE NAME  
08261C4T43-F\_C.DWG

STANDARD DIM. [ ] METRIC DIM.  
TOL. IN INCH AS REF.

.X UNIT : INCH [mm]  
.XX SCALE : N/A  
.XXX SIZE : A4

REV. : C PAGE : 2



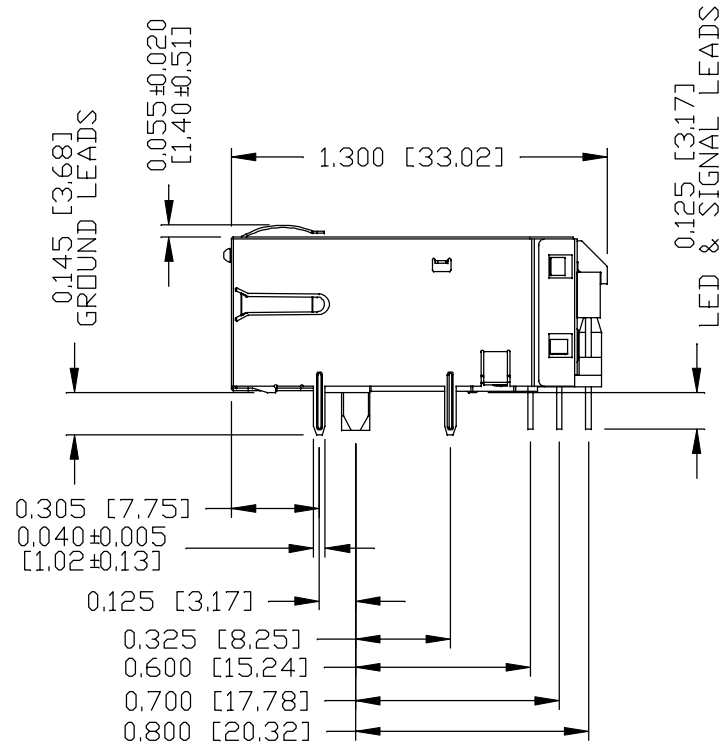
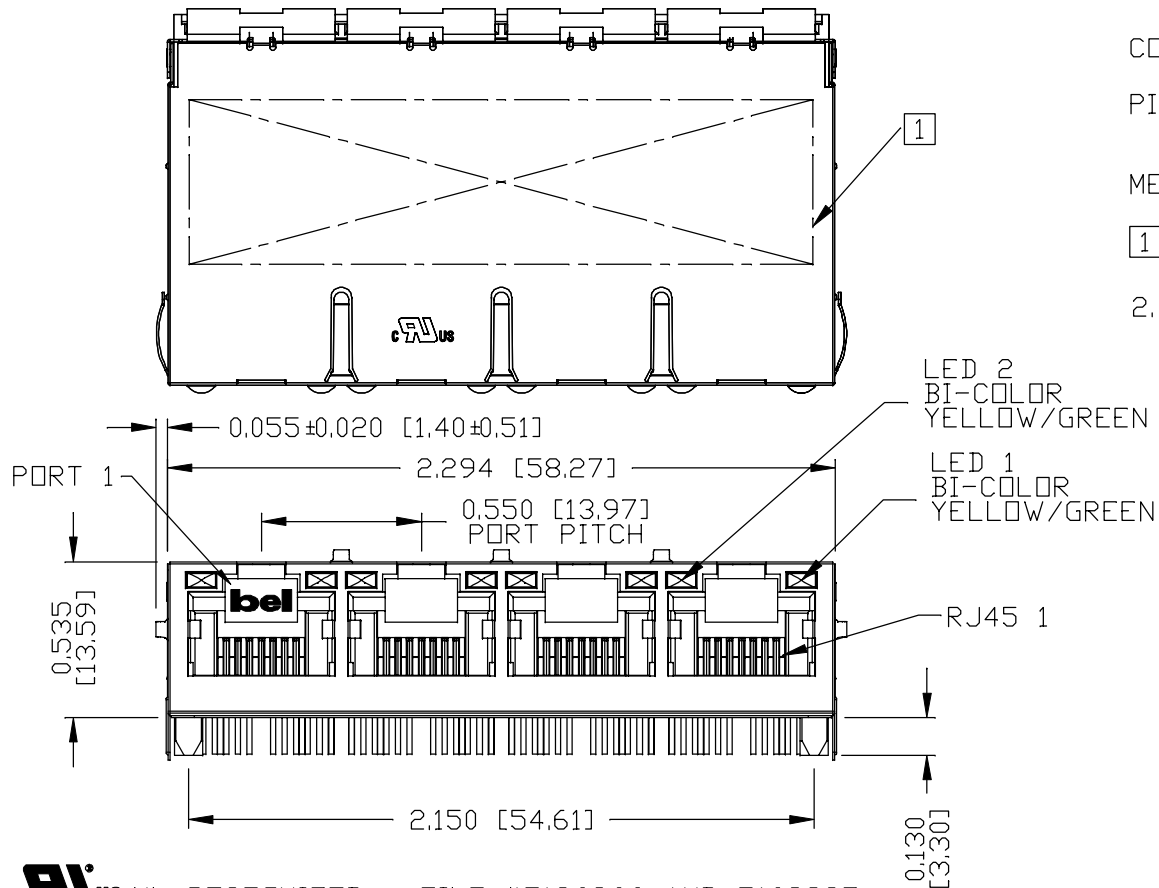
THE INFORMATION CONTAINED HEREIN IS CONSIDERED "PROPRIETARY" TO BEL FUSE INC. AND SHALL NOT BE COPIED, REPRODUCED OR DISCLOSED WITHOUT THE WRITTEN APPROVAL OF BEL FUSE INC.

RoHS



NOTES:

- PLASTIC HOUSING: THERMOPLASTIC PBT, BLACK  
FLAMMABILITY RATING UL 94V-0
- CONTACTS PLATING: 50 MICRO-INCH HARD GOLD PLATING OR EQUIVALENT.
- PINS: TIN-COATED COPPER WIRE, DIA 0.018 INCH, 100 MICRO-INCH MIN MATTE TIN, PINS ARE SOLDER DIPPED.
- METAL SHIELD: NICKEL PLATED ON COPPER ALLOY, (ALL GROUND LEADS ARE SOLDER DIPPED)
- 1 MARK PART WITH MFG LOGO, MFG NAME, PART NUMBER DATE CODE AND PATENTED.
- 2. JACK CAVITY CONFORMS TO FCC RULES AND REGULATIONS.



**UL** UL RECOGNIZED - FILE #E196366 AND E169987.

- 3. THE PRODUCT IS RoHS COMPLIANT.
- 4. THE PRODUCT IS PATENTED. THE PATENT NUMBER IS U.S. PAT. 7,123,117.
- 5. THE PART IS RECOMMENDED FOR WAVE SOLDERING. THE SUGGESTED PEAK WAVE SOLDERING CONDITION IS 260°C MAX AND 10 SECONDS MAX.

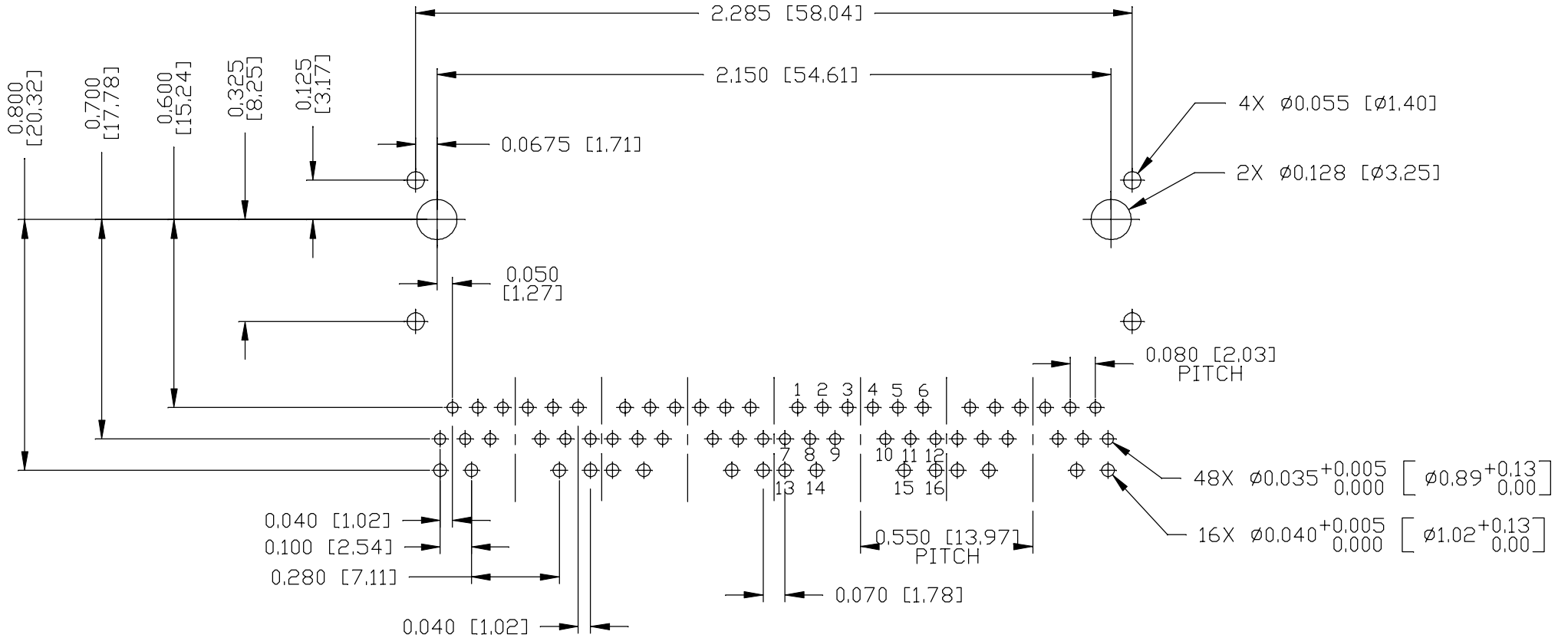
REV. : C PAGE : 3

ORIGINATED BY LI QUANKUN DATE 2017-04-24	TITLE 1X4 gigabit MagJack® (8 cores, Tab Up) 0826-1C4T-43-F PATENTED	PART NO. / DRAWING NO. 08261C4T43-F	STANDARD DIM. TOL. IN INCH	[ ] METRIC DIM. AS REF.
			.X	UNIT : INCH [mm]
DRAWN BY ZHANG XUEZHENG DATE 2017-04-24		FILE NAME 08261C4T43-F_C.DWG	.XX	SCALE : N/A
			.XXX	±0.010
			SIZE : A4	



THE INFORMATION CONTAINED HEREIN IS CONSIDERED "PROPRIETARY" TO BEL FUSE INC. AND SHALL NOT BE COPIED, REPRODUCED OR DISCLOSED WITHOUT THE WRITTEN APPROVAL OF BEL FUSE INC.

RoHS



RECOMMENDED PCB FOOTPRINT  
COMPONENT SIDE VIEW

REV. : C      PAGE : 4

ORIGINATED BY  
LI QUANKUN  
DATE 2017-04-24  
DRAWN BY  
ZHANG XUEZHENG  
DATE 2017-04-24

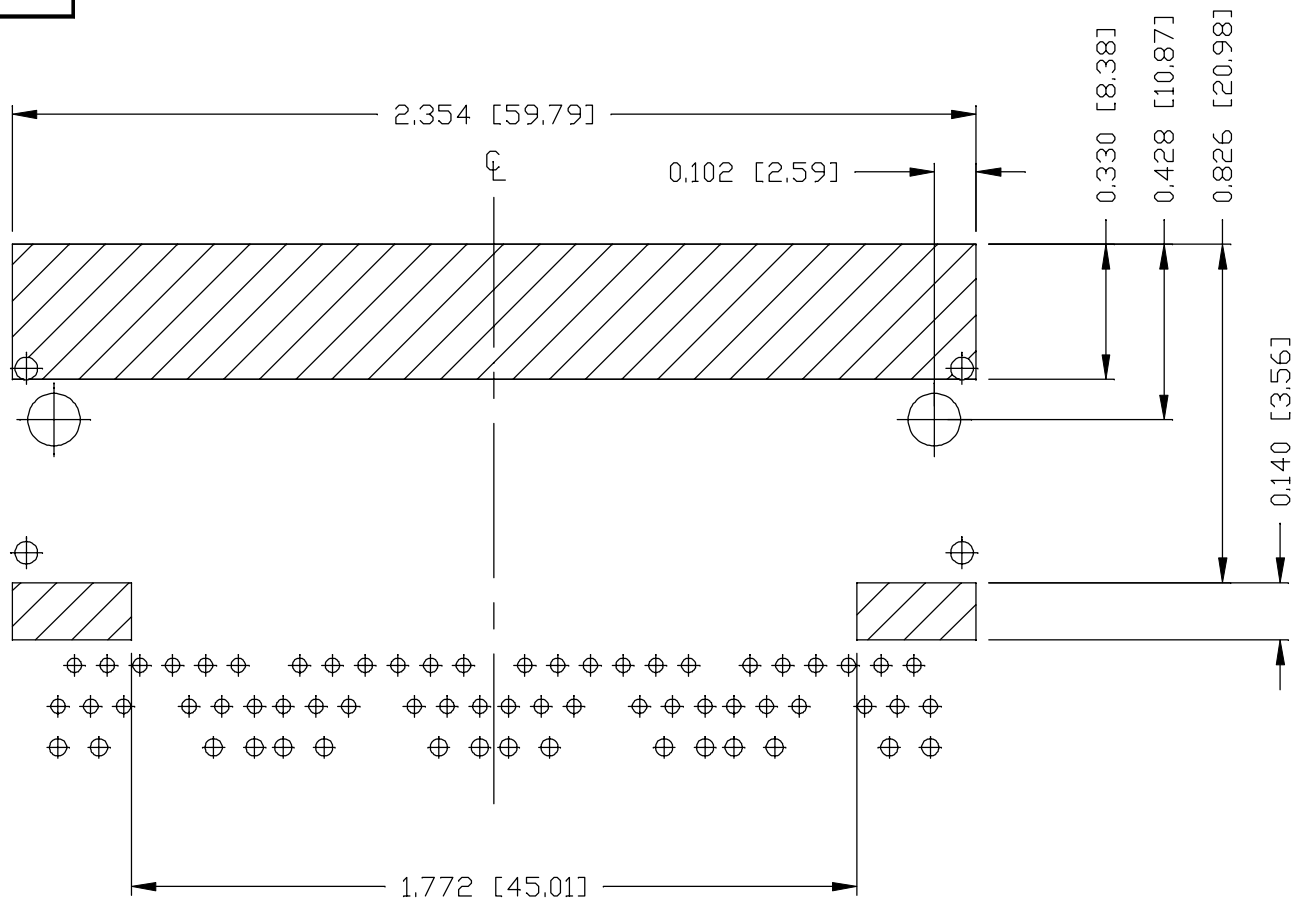
TITLE  
1X4 glgabit MagJack®  
(8 cores, Tab Up)  
0826-1C4T-43-F  
PATENTED

PART NO. / DRAWING NO.  
08261C4T43-F  
FILE NAME  
08261C4T43-F\_C.DWG

STANDARD DIM. TOL. IN INCH		[ ] METRIC DIM. AS REF.
.X		UNIT : INCH [mm]
.XX		SCALE : N/A
.XXX	±0.004	SIZE : A4


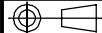


THE INFORMATION CONTAINED HEREIN IS CONSIDERED "PROPRIETARY" TO BEL FUSE INC. AND SHALL NOT BE COPIED, REPRODUCED OR DISCLOSED WITHOUT THE WRITTEN APPROVAL OF BEL FUSE INC.



**NOTES:**

THE SHADED AREA ON THE CUSTOMER BOARD ARE RECOMMENDED TO BE CLEAR OFF ANY VIA HOLE OR COMPONENT PAD.

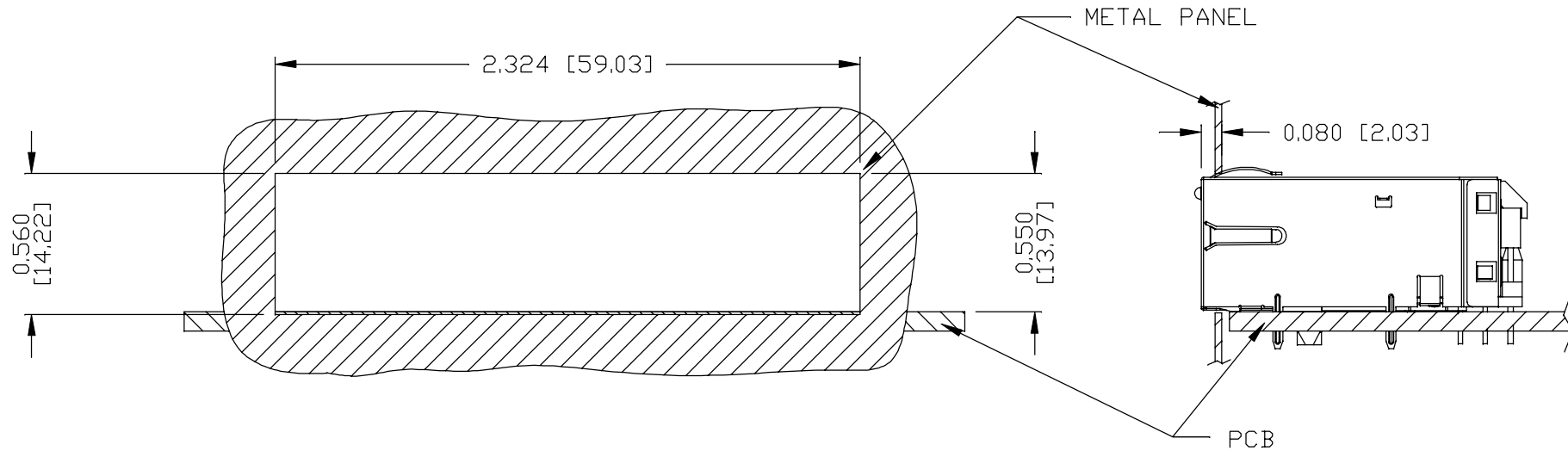
<b>ORIGINATED BY</b> LI QUANKUN <b>DATE</b> 2017-04-24		<b>TITLE</b> 1X4 gigabit MagJack® (8 cores, Tab Up) 0826-1C4T-43-F PATENTED	<b>PART NO. / DRAWING NO.</b> 08261C4T43-F		<b>STANDARD DIM. TOL. IN INCH</b>		<b>[ ] METRIC DIM. AS REF.</b>		<b>REV. :</b> C	<b>PAGE :</b> 5
<b>DRAWN BY</b> ZHANG XUEZHENG <b>DATE</b> 2017-04-24			<b>FILE NAME</b> 08261C4T43-F_C.DWG		.X		<b>UNIT :</b> INCH [mm]			
					.XX		<b>SCALE :</b> N/A			
				.XXX	±0.004	 <b>SIZE :</b> A4				

THE INFORMATION CONTAINED HEREIN IS CONSIDERED "PROPRIETARY" TO BEL FUSE INC. AND SHALL NOT BE COPIED, REPRODUCED OR DISCLOSED WITHOUT THE WRITTEN APPROVAL OF BEL FUSE INC.

RoHS



SUGGESTED PANEL OPENING



NOTES:

THE DISTANCE OF PANEL INSIDE SURFACE RELATIVE TO FRONT SURFACE OF PART IS ONLY A SUGGESTION. IN CASE THIS DISTANCE IS DIFFERENT, THE REQUIRED PANEL OPENING DIMENSIONS CHANGE ACCORDINGLY.

PACKING INFORMATION

PACKING TRAY : 0200-9999-B4 (TOP)

0200-9999-B5 (BOTTOM)

PACKING QUANTITY : 24 PCS FINISHED GOODS PER TRAY

10 TRAYS (240 PCS FINISHED GOODS) PER CARTON BOX

NOTE : CARDBOARDS ARE PLACED BETWEEN LAYERS OF PACKING TRAY INSIDE CARTON BOX

(INCLUDE THE UPPERMOST AND LOWERMOST TRAY)

REV. :	C	PAGE :	6
--------	---	--------	---

<b>ORIGINATED BY</b> LI QUANKUN <b>DATE</b> 2017-04-24	<b>TITLE</b> 1X4 glgabit MagJack® (8 cores, Tab Up) 0826-1C4T-43-F PATENTED	<b>PART NO. / DRAWING NO.</b> 08261C4T43-F  <b>FILE NAME</b> 08261C4T43-F_C.DWG	<b>STANDARD DIM.</b> [ ] <b>METRIC DIM.</b> <b>TOL. IN INCH</b> AS REF.		
			.X	UNIT : INCH [mm]	
			.XX	SCALE : N/A	
<b>DRAWN BY</b> ZHANG XUEZHENG <b>DATE</b> 2017-04-24			.XXX	±0.004	SIZE : A4

